

Section:A-A

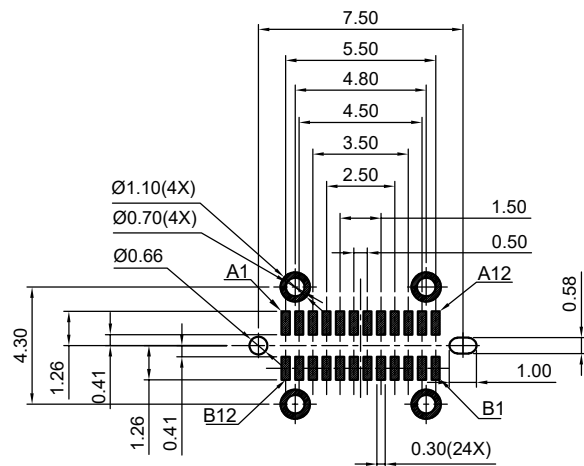
TABLE:

NO	PART	Q'TY	Material
1	SHELL	1	STAINLESS STEEL 304, NI 30u" MIN PLATED
2	EMI Plate	1	STAINLESS STEEL 301, NI 30u" MIN PLATED
3	Mid Plate	1	STAINLESS STEEL 301, NO PLATED
4	CONTACT	24	COPPER C18400, Au3u" Plated On Contact Area Matte Tin Plated 60u" Min On Solder Area; Nickel 50u" Min Under Plating Over All.
5	HOUSING	1	LCP BLACK UL94 V-0
6	CAP	1	LCP BLACK UL94 V-0

CJTconn CHANGJIANG CONNECTORS CO.,LTD.

Unit	Scale	Sheet	TITLE
mm	1:1	1 of 3	USB TYPE-C FEMALE 24PIN VERTICAL TYPE SHELL H=9.3mm
DRAWN	CHK'D	APPR	
Haisen Li	Diankui Wan	Jack Yin	DRAWING NO.
General Tolerances			THIRD ANGLE PROJECTION
x.xx±0.25 x.xxx±0.20 x.xxxx±0.15 ANGLES ±1°			CJ-CF007-24P REV A0

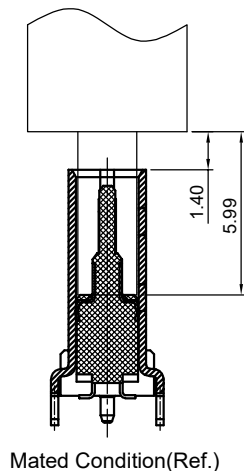
REV	DESCRIPTION	DATE
A0	NEW RELEASE	2020.08.03



RECOMMENDED PCB LAYOUT(TOP VIEW)
THICKNESS 1.5±0.10MM;DEFAULT TOLERANCE:±0.05

USB Type-C Pin Assignments

Pin Number	Signal Name	Pin Number	Signal Name
A1	GND	B12	GND
A2	SSTXp1	B11	SSRXp1
A3	SSTXn1	B10	SSRXn1
A4	VBUS	B9	VBUS
A5	CC1	B8	SBU2
A6	Dp1	B7	Dn2
A7	Dn1	B6	Dp2
A8	SBU1	B5	CC2
A9	VBUS	B4	VBUS
A10	SSRXn2	B3	SSTXn2
A11	SSRXp2	B2	SSTXp2
A12	GND	B1	GND



REV	DESCRIPTION	DATE
A0	NEW RELEASE	2020.08.03
REV	DESCRIPTION	DATE

SPECIFICATIONS:

- 1.ELECTRICAL PERFORMANCE,
 - 1-1. CURRENT RATING:5 AMPS. FOR TOTAL VBUS/GND PINS;
1.25AMPS FOR CC PIN,
0.25 AMPS. FOR ALL OTHER CONTACT.
 - 1-2. VOLTAGE RATING:20V DC/AC (RMS. MAX)
 - 1-3. CONTACT RESISTANCE: 40mΩ MAX INITIAL.
50mΩ MAX AFTER TEST
 - 1-4.DIELECTRIC WITHSTANDING VOLTAGE: 100V AC
 - 1-5.INSULATION RESISTANCE:100MΩ MIN
- 2.MECHANICAL PERFORMANCE,
 - 2-1.INSERTION FORCE: 5~20N.
 - 2-2.EXTRACTION FORCE: 8~20N.
 - 2-3.DURABILITY: 10000 CYCLES.
- 3.ENVIRONMENTAL PERFORMANCE:
 - OPERATING TEMPERATURE: -40°C~+105°C.
- 4.IR REFLOW:
 - THE PEAK TEMPERATURE ON THE BOARD SHALL BE MAINTAINED FOR 10 SECONDS AT 260°C.
- 5.COMPLIANCE WITH ROHS & HF REQUIREMENTS.

Ordering Information:

CJ-CF007 - 24P - *** - ***
1 2 3

1.Part NO.

2.Finish:

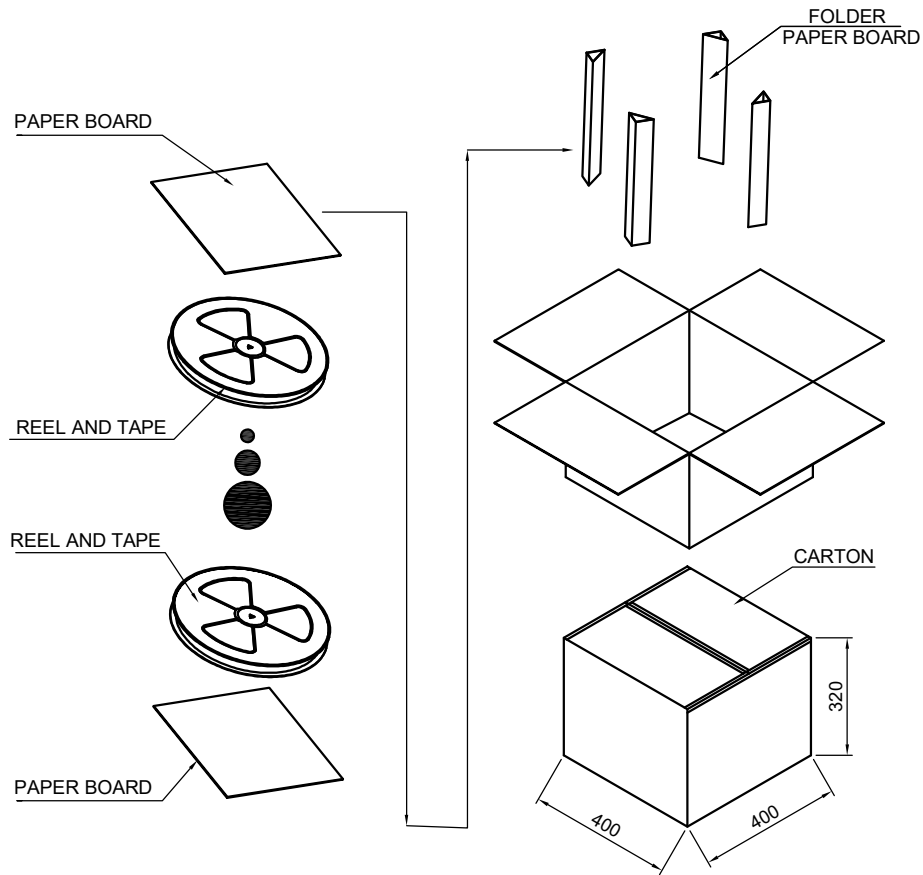
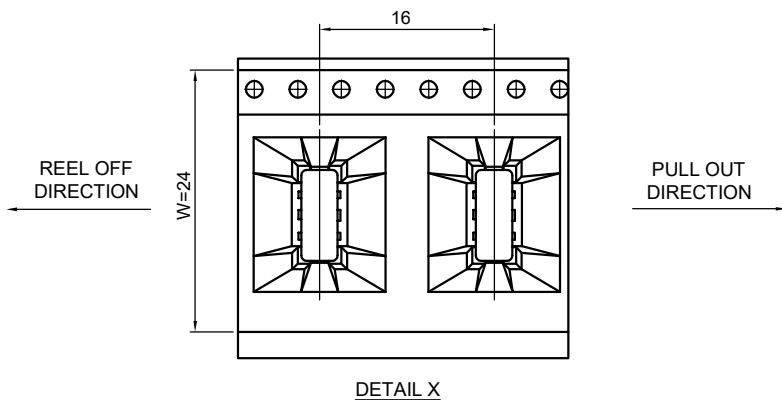
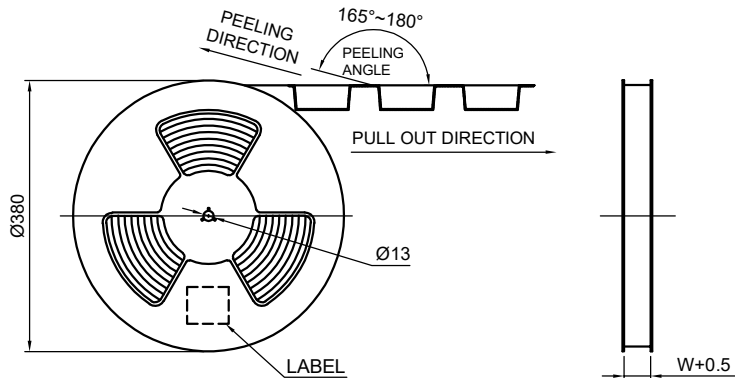
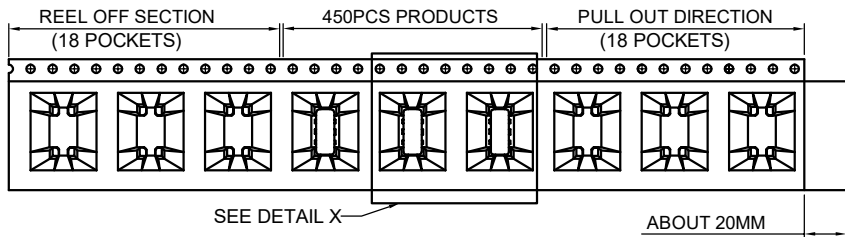
- (Blank): Select Gold:3μin[0.075μm] Min.
Select Reflowed Tin: 60μin[1.5μm] Min
Overall Nickel Underplate: 50μin[1.25μm] Min.
G15: Select Gold:15μin[0.38μm] Min.
Select Reflowed Tin: 60μin[1.5μm] Min
Overall Nickel Underplate: 50μin[1.25μm] Min.
G30: Select Gold:30μin[0.76μm] Min.
Select Reflowed Tin: 60μin[1.5μm] Min
Overall Nickel Underplate: 50μin[1.25μm] Min.

3.Packing:

(Blank): Tape & Reel Cap

CJTconn CHANGJIANG CONNECTORS CO.,LTD.

Unit	Scale	Sheet	TITLE
mm	1:1	2 of 3	USB TYPE-C FEMALE 24PIN VERTICAL TYPE SHELL H=9.3mm
DRAWN	CHK'D	APPR	
Haisen Li	Diankui Wan	Jack Yin	DRAWING NO.
General Tolerances			THIRD ANGLE PROJECTION
x.xx±0.25 x.xxx±0.20 x.xxxx±0.15 ANGLES ±1°			CJ-CF007-24P
REV	DESCRIPTION	DATE	REV
A0	NEW RELEASE	2020.08.03	A0



	REEL	CARTON
CONNECTOR (PCS)	450	4500

CJTconn CHANGJIANG CONNECTORS CO.,LTD.

Unit	Scale	Sheet	TITLE						
mm	1:1	3 of 3	USB TYPE-C FEMALE 24PIN VERTICAL TYPE SHELL H=9.3mm						
DRAWN	CHK'D	APPR							
Haisen Li	Diankui Wan	Jack Yin							
General Tolerances			THIRD ANGLE PROJECTION						
x.xx±0.25 x.xxx±0.20 x.xxxx±0.15 ANGLES ±1°			DRAWING NO.						
			CJ-CF007-24P						
<table border="1"> <tr> <td>A0</td> <td>NEW RELEASE</td> <td>2020.08.03</td> </tr> <tr> <td>REV</td> <td>DESCRIPTION</td> <td>DATE</td> </tr> </table>			A0	NEW RELEASE	2020.08.03	REV	DESCRIPTION	DATE	REV A0
A0	NEW RELEASE	2020.08.03							
REV	DESCRIPTION	DATE							