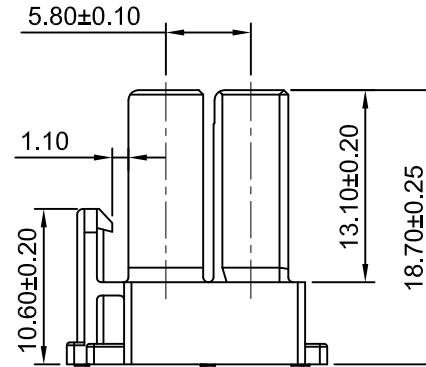
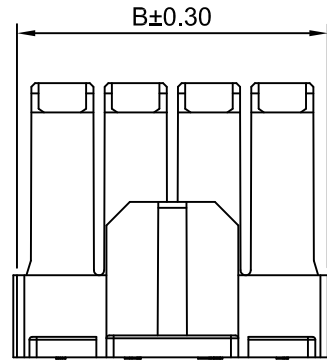
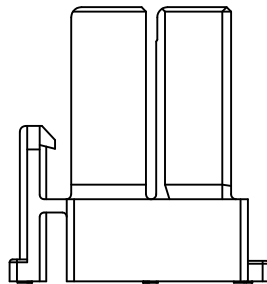
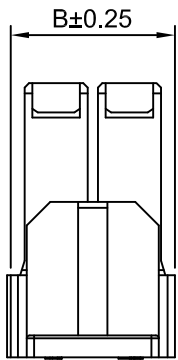
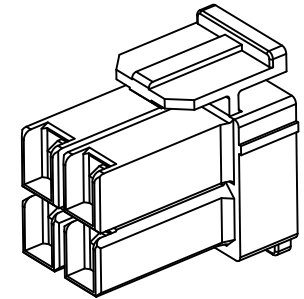
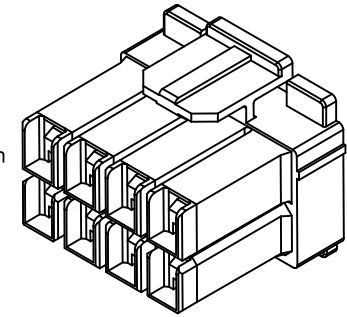


Ordering Information:
C5030HFD-2xXP - ** - **
 1 2 3

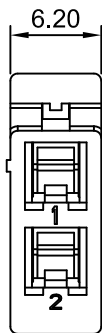
- Part NO.
- Material:
 (Blank):Nylon 66,UL94V-0(White)
 GWT: Nylon 66,UL94V-0(Beige),IEC 60335-1,5th Edition Glow Wire Capable.
- Color:
 (Blank):see section 2 material
 BK:Black
 RD:Red
 BL:Blue
 YL:Yellow



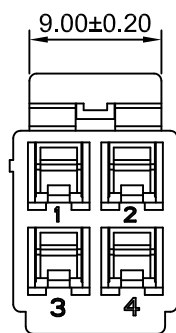
SPECIFICATIONS:
 Current Rating:10A AC,DC
 Voltage Rating:300V AC,DC
 Temperature Range: -40°C ~ +105°C
 Contact Resistance: 10mΩ Max.
 Insulation Resistance: 1000MΩ Min
 Withstanding Voltage: 1500V AC/minute

Ordering Information & Dimensions

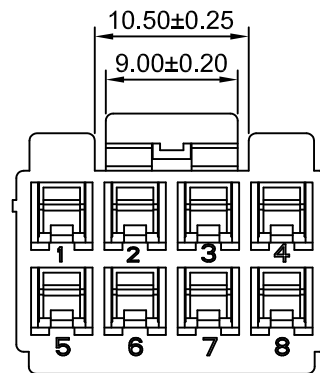
Circuits	Dimensions(mm)		Circuits	Dimensions(mm)	
	A	B		A	B
2x1P	6.20	6.20	2x6P	25.00	31.20
2x2P	5.00	11.20	2x8P	35.00	41.20
2x4P	15.00	21.20			



2x1P



2x2P



2x4P~2x8P

REV	DESCRIPTION	DATE
A1	CHANGE THE DRAWING	2023.03.01
A0	NEW RELEASE	2019.08.07

CJTconn

CHANGJIANG CONNECTORS CO.,LTD.

Unit	Scale	Sheet
mm	2:1	1 of 1
DRAWN	CHK'D	APPR
Chengbiao Ye	Djankui Wan	Jack Yin

TITLE

5.00mm PITCH
Dual Row HOUSING

General Tolerances	THIRD ANGLE PROJECTION
x.xx±0.25	
x.xxx±0.20	
x.xxxx±0.15	
ANGLES ±1°	

DRAWING NO.	REV
C5030HFD-2xXP	A1