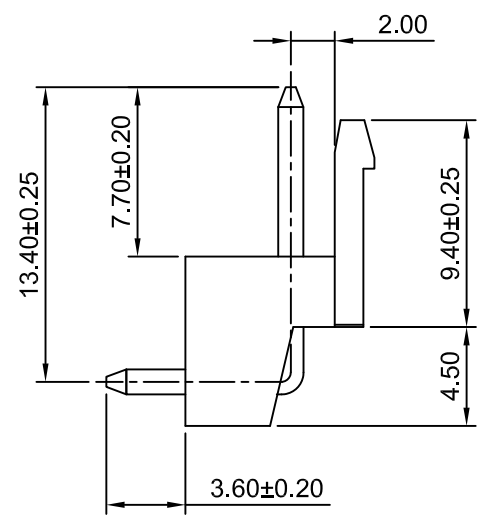
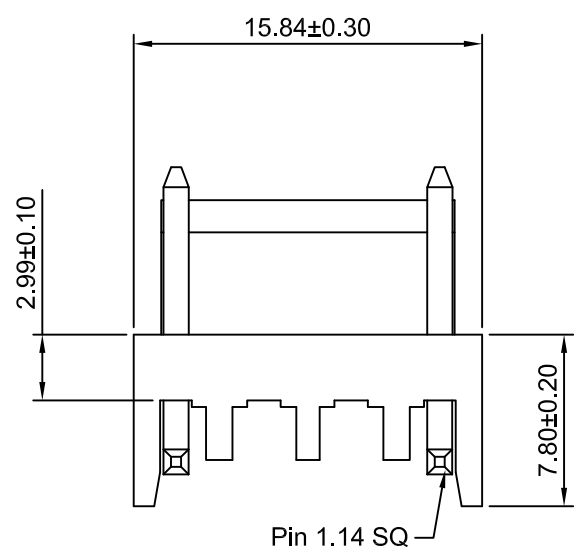


P.C.B LAYOUT
TOLERANCE:±0.05

Ordering Information:
A3963WRH-4P - *** - *** -N2.3
1 2 3

- 1.Part NO.
- 2.Material:
(Blank): Nylon 66,UL94V-0
GWT: Nylon 66,UL94V-0(Beige),IEC 60335-1,5th Edition
Glow Wire Capable.
- 3.Finish:
(Blank): Tin over Nickel
G: Gold over Nickel



SPECIFICATIONS:
Current Rating: 12A AC,DC(AWG #16)
Voltage Rating: 250V AC,DC
Temperature Range: -40°C ~ +105°C
Contact Resistance: 10mΩ Max
Insulation Resistance: 1000MΩ Min
Withstanding Voltage: 1500V AC/minute
Pin Material: Brass/Tin over Nickel
Material: Nylon 66,UL94V-0(White)

CJTconn CHANGJIANG CONNECTORS CO.,LTD.			
Unit mm	Scale 3:1	Sheet 1 of 1	TITLE 11.88mm PITCH RIGHT ANGLE HEADER
DRWN Dengchun Yi	CHK'D Diankui Wan	APPR Jack Yin	DRAWING NO. A3963WRH-4P-N2.3
General Tolerances x.xx±0.25 x.xxx±0.20 x.xxxx±0.15 ANGLES ±1°		THIRD ANGLE PROJECTION 	REV A0

A0	NEW RELEASE	2021.10.27
REV	DESCRIPTION	DATE