

Ordering Information:
A2549WVN-S-F-XP - ^{**}/₂ - ^{***}/₃

1.Part No.

2.Color:

(Blank):Black

BL:Blue

GN:Green

RD:Red

WH:White

3.Finish:

(Blank):Select Gold:10µin[0.25µm] min.

Select Reflowed Matte Tin: 80µin[2.03µm] min.

Overall Nickel Underplate: 30µin[0.76µm] min.

G3:Select Gold:3µin[0.08µm] min.

Select Reflowed Matte Tin: 80µin[2.03µm] min.

Overall Nickel Underplate: 30µin[0.76µm] min.

G15:Select Gold:15µin[0.38µm] min.

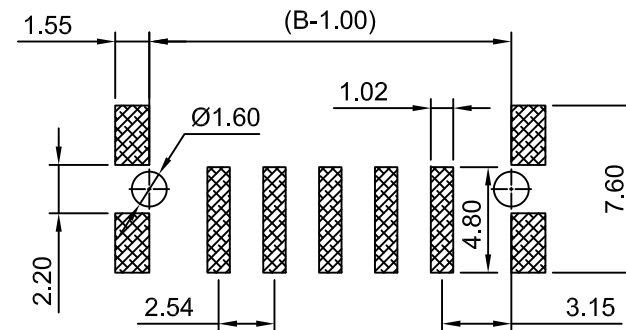
Select Reflowed Matte Tin: 80µin[2.03µm] min.

Overall Nickel Underplate: 30µin[0.76µm] min.

G30:Select Gold:30µin[0.76µm] min.

Select Reflowed Matte Tin: 80µin[2.03µm] min.

Overall Nickel Underplate: 30µin[0.76µm] min.



P.C.B LAYOUT
 TOLERANCE:±0.05

SPECIFICATIONS:

Current Rating:12A AC,DC

Voltage Rating:250V AC,DC

Temperature Range:-55°C ~ +150°C

Contact Resistance:20mΩ Max

Insulation Resistance:1000MΩ Min

Withstand Voltage:2000V AC/minute

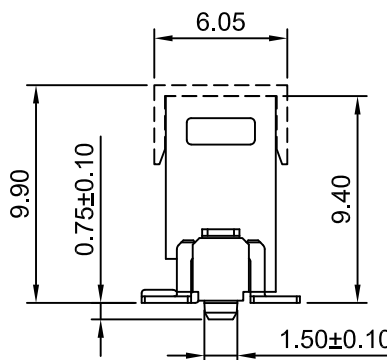
Pin Material:Copper Alloy

Material:LCP UL94V-0,IEC 60335-1,5th

Edition Glow Wire Capable

Ordering information & Dimensions

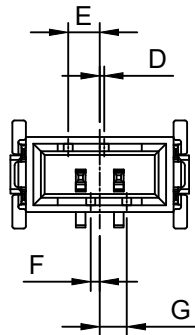
Circuits	Dimensions(mm)		
	A	B	C
2P	2.54	9.84	7.84
3P	5.08	12.38	10.38
4P	7.62	14.92	12.92
5P	10.16	17.46	15.46
6P	12.70	20.00	18.00
8P	17.78	25.08	23.08



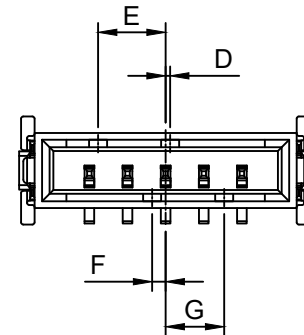
A0	NEW RELEASE	2019.07.05
REV	DESCRIPTION	DATE

CJTconn CHANGJIANG CONNECTORS CO.,LTD.

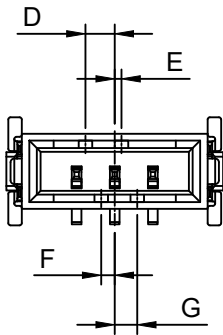
Unit	Scale	Sheet	TITLE
mm	3:1	1 of 2	
DRAWN		APPR	2.54mm(.1000in)Pitch SMD Single Row With Peg Vertical Header
Hor Yang		Jack YIn	
General Tolerances		THIRD ANGLE PROJECTION	DRAWING NO.
x.xx±0.25 x.xxx±0.20 x.xxxx±0.15 ANGLES ±1°			
			REV
A2549WVN-S-F-XP			A0



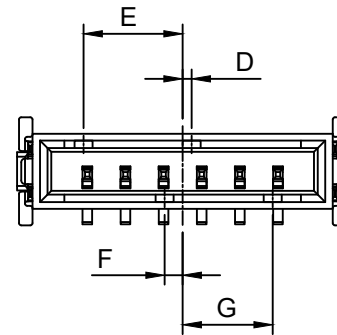
Circuit	Color	Fool-proof Dimensions(mm)			
		D	E	F	G
2P	Black	0.30	2.10	0.60	1.80
	Blue	0.90	1.50	1.20	1.20
	Green	1.50	0.90	1.80	0.60
	Red	2.10	0.30	2.40	0.00
	White	0.30	2.10	0.60	1.80



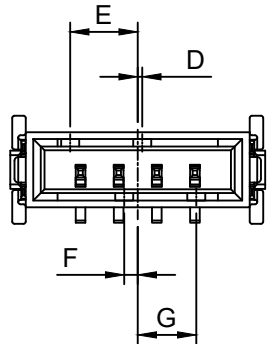
Circuit	Color	Fool-proof Dimensions(mm)			
		D	E	F	G
5P	Black	0.30	4.50	0.90	3.90
	Blue	1.50	3.30	2.10	2.70
	Green	2.70	2.10	3.30	1.50
	Red	3.90	0.90	4.50	0.30



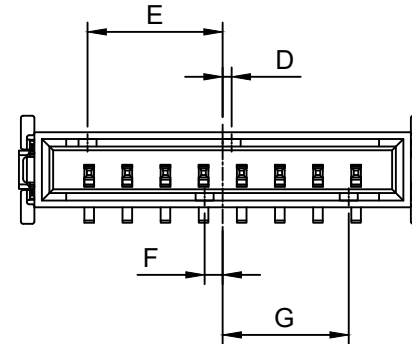
Circuit	Color	Fool-proof Dimensions(mm)			
		D	E	F	G
3P	Black	0.45	1.95	0.90	1.50
	Blue	1.35	1.05	1.80	0.60
	Green	2.25	0.15	2.70	0.30
	Red	3.15	0.75	3.60	1.20
	White	0.45	1.95	0.90	1.50



Circuit	Color	Fool-proof Dimensions(mm)			
		D	E	F	G
6P	Black	0.60	6.60	1.20	6.00
	Blue	1.80	5.40	2.40	4.80
	Green	3.00	4.20	3.60	3.60
	Red	4.20	3.00	4.80	2.40



Circuit	Color	Fool-proof Dimensions(mm)			
		D	E	F	G
4P	Black	0.30	4.50	0.90	3.90
	Blue	1.50	3.30	2.10	2.70
	Green	2.70	2.10	3.30	1.50
	Red	3.90	0.90	4.50	0.30



Circuit	Color	Fool-proof Dimensions(mm)			
		D	E	F	G
8P	Black	0.60	9.00	1.20	8.40
	Blue	1.80	7.80	2.40	7.20
	Green	3.00	6.60	3.60	6.00
	Red	4.20	5.40	4.80	4.80
	White	0.60	9.00	1.20	8.40

A0	NEW RELEASE	2019.07.05
REV	DESCRIPTION	DATE

CJTconn CHANGJIANG CONNECTORS CO.,LTD.

Unit	Scale	Sheet	TITLE
mm	2:1	2 of 2	2.54mm(.1000in)Pitch SMD Single Row With Peg Vertical Header
DRAWN		APPR	
Hor Yang		Jack Yin	
General Tolerances		THIRD ANGLE PROJECTION	
x.xx±0.25 x.xx±0.20 x.xxx±0.15 ANGLES ±1°		DRAWING NO.	
		A2549WVN-S-F-XP	
			REV A0