

Ordering Information:

A2549WVI-XP - *** - ***
 1 2 3

1.Part NO.

2.Color:
 (Blank): Ivory
 BK: Black

3.Finish:

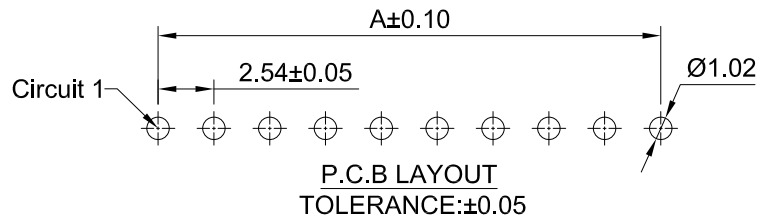
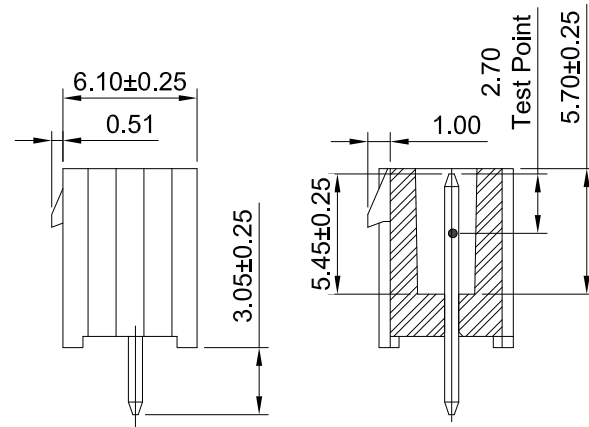
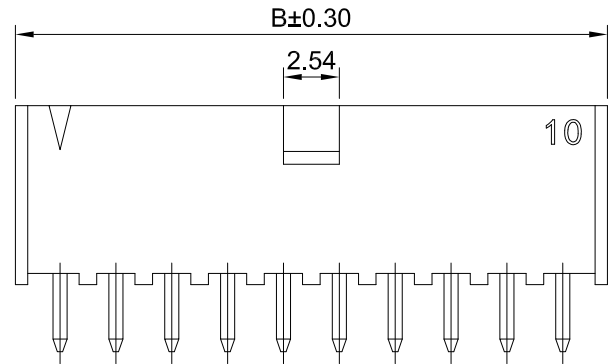
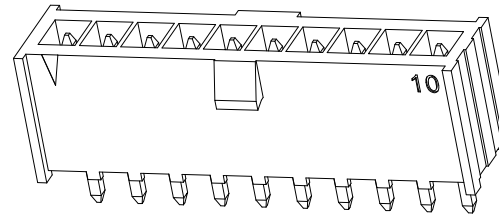
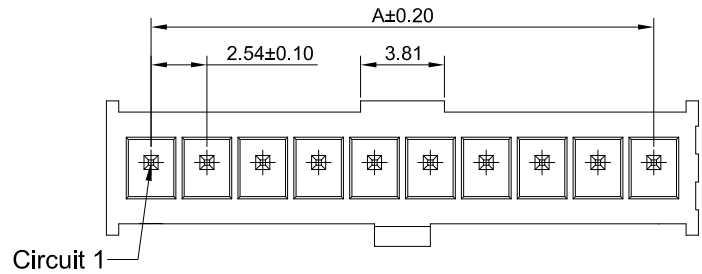
(Blank): Gold over Nickel
 G10: Gold over Nickel(Au:10µin[0.25µm] Min,Mating Area)
 G15: Gold over Nickel(Au:15µin[0.38µm] Min,Mating Area)
 G30: Gold over Nickel(Au:30µin[0.76µm] Min,Mating Area)
 MT: Matte Tin over Nickel

SPECIFICATIONS:

Current Rating: 3A AC,DC
 Voltage Rating: 250V AC,DC
 Temperature Range: -40°C ~ +105°C
 Contact Resistance: 20mΩ Max.
 Insulation Resistance: 1000MΩ Min.
 Withstanding Voltage: 1000V AC/minute
 Pin Material: Brass
 Material: LCP,UL94V-0

Ordering Information & Dimensions

Part NO.	Dimensions(mm)		Part NO.	Dimensions(mm)	
	A	B		A	B
2P	2.54	6.60	14P	33.02	37.08
3P	5.08	9.14	15P	35.56	39.62
4P	7.62	11.68	16P	38.10	42.16
5P	10.16	14.22	17P	40.64	44.70
6P	12.70	16.76	18P	43.18	47.24
7P	15.24	19.30	19P	45.72	49.78
8P	17.78	21.84	20P	48.26	52.32
9P	20.32	24.38	21P	50.80	54.86
10P	22.86	26.92	22P	53.34	57.40
11P	25.40	29.46	23P	55.88	59.94
12P	27.94	32.00	24P	58.42	62.48
13P	30.48	34.54	25P	60.96	65.02



A0	NEW RELEASE	2025.02.11
REV	DESCRIPTION	DATE

CJTconn CHANGJIANG CONNECTORS CO.,LTD.

Unit	Scale	Sheet	TITLE
mm	3:1	1 of 1	
DRAWN	CHK'D	APPR'D	2.54mm PITCH VERTICAL SINGLE ROW WAFER
Haisen Li	Diankui Wan	Jack Yin	
General Tolerances			THIRD ANGLE PROJECTION
x.xx±0.25 x.xxx±0.20 x.xxxx±0.15 ANGLES ±1°			DRAWING NO.
			A2549WVI-XP
			REV A0