

Fool-proof Diagram

Ordering Information:

A2549HN-XP - \*\*  
1 2

1.Part No.

2.Color:

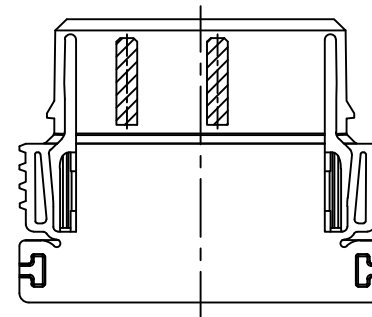
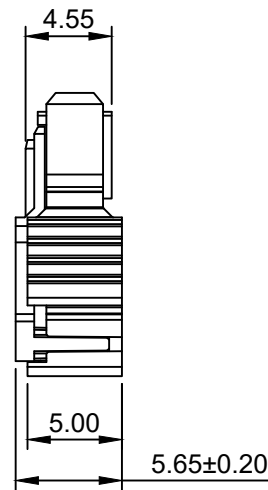
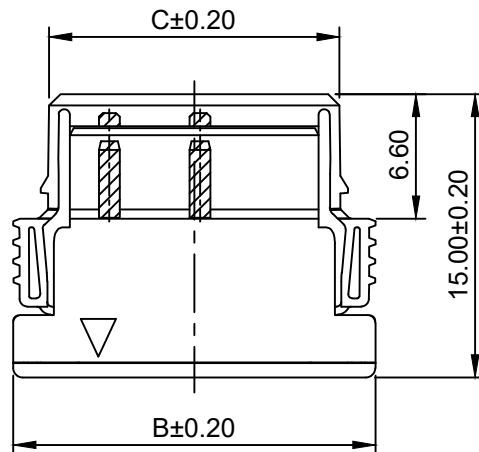
(Blank):Black

BL:Blue

GN:Green

RD:Red

WH:White



SPECIFICATIONS:

Current Rating:12A AC,DC

Voltage Rating:250V AC,DC

Temperature Range:-55°C ~ +150°C

Contact Resistance:25mΩ Max

Insulation Resistance:1000MΩ Min

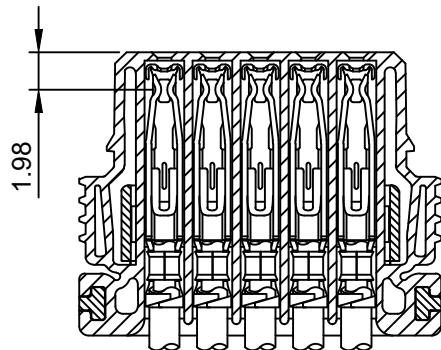
Withstanding Voltage:2000V AC/minute

Material:Nylon 46 UL94V-0,IEC 60335-1,5th

Edition Glow Wire Capable

Ordering Information & Dimensions

Circuits	Dimensions(mm)		
	A	B	C
2P	2.54	11.54	7.74
3P	5.08	14.08	10.28
4P	7.62	16.62	12.82
5P	10.16	19.16	15.36
6P	12.70	21.70	17.90
8P	17.78	26.78	22.98



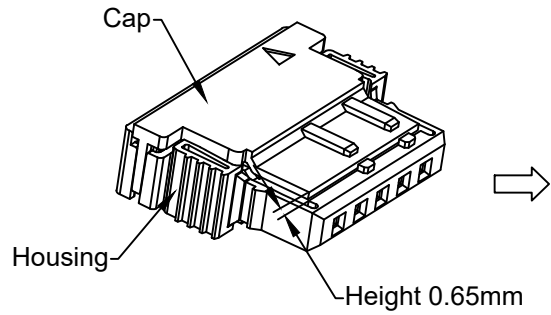
Terminal Diagram

**CJTconn** CHANGJIANG CONNECTORS CO.,LTD.

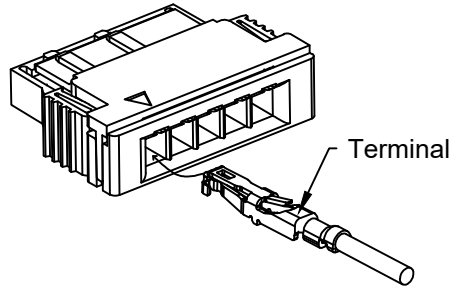
Unit	Scale	Sheet	TITLE
mm	2.5:1	1 of 3	
DRWN	APPR	2.54mm(.1000in)Pitch Single Row Positive Lock Plug Housing	
Carrie Zhang	Jack Yin		
General Tolerance	THIRD ANGLE PROJECTION	DRAWING NO .	REV
x.x±0.25 x.xx±0.20 x.xxx±0.15 ANGLES ±1°			
A0	NEW RELEASE	2019.03.25	
REV	DESCRIPTION	DATE	

A0	NEW RELEASE	2019.03.25
REV	DESCRIPTION	DATE

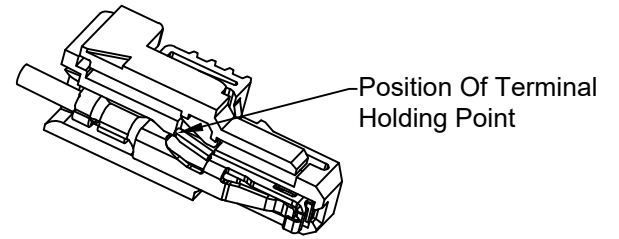
Instructions:



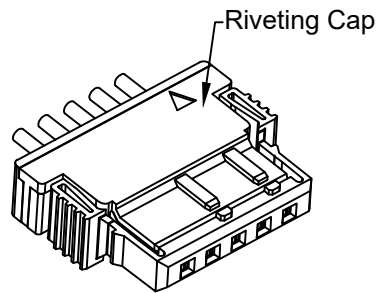
Cover Loose Mounted



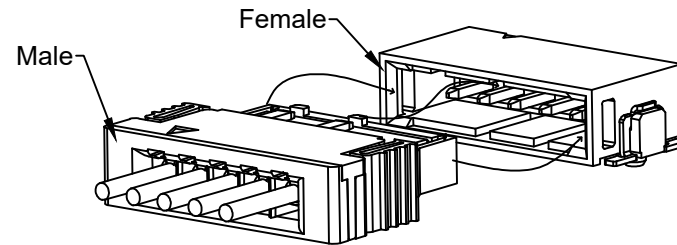
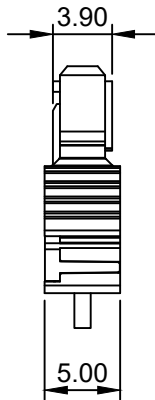
Inserted Female Terminal



Internal Structure Diagram



Riveting Diagram

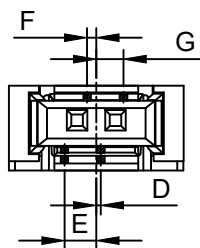


Male/Female Mate

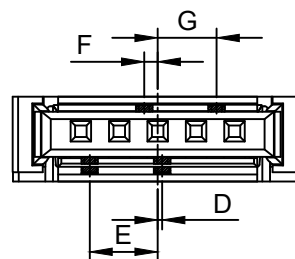
**CJTconn** CHANGJIANG CONNECTORS CO.,LTD.

Unit	Scale	Sheet	TITLE
mm	2.5:1	2 of 3	
DRWN Carrie Zhang		APPR Jack Yin	2.54mm(.1000in)Pitch Single Row Positive Lock Plug Housing
General Tolerance		THIRD ANGLE PROJECTION	
x.xx±0.25		DRAWING NO .	A2549HN-XP
x.xxx±0.20			
x.xxxx±0.15		REV	A0
ANGLES ±1°			

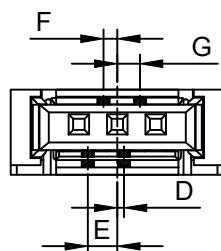
A0	NEW RELEASE	2019.03.25
REV	DESCRIPTION	DATE



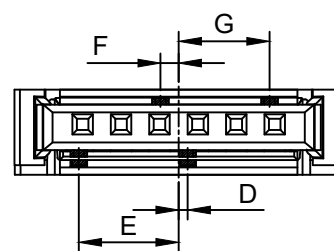
Circuits	Color	Fool-proof Dimensions(mm)			
		D	E	F	G
2P	Black	0.30	2.10	0.60	1.80
	Blue	0.90	1.50	1.20	1.20
	Green	1.50	0.90	1.80	0.60
	Red	2.10	0.30	2.40	0.00



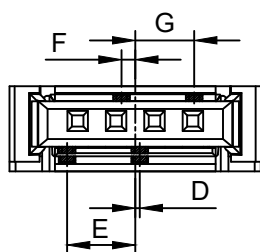
Circuits	Color	Fool-proof Dimensions(mm)			
		D	E	F	G
5P	Black	0.30	4.50	0.90	3.90
	Blue	1.50	3.30	2.10	2.70
	Green	2.70	2.10	3.30	1.50
	Red	3.90	0.90	4.50	0.30



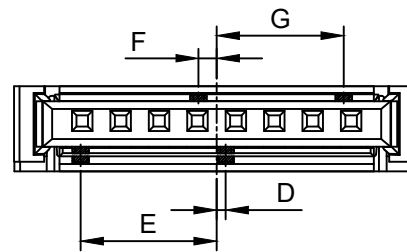
Circuits	Color	Fool-proof Dimensions(mm)			
		D	E	F	G
3P	Black	0.45	1.95	0.90	1.50
	Blue	1.35	1.05	1.80	0.60
	Green	2.25	0.15	2.70	0.30
	Red	3.15	0.75	3.60	1.20
	White	0.45	1.95	0.90	1.50



Circuits	Color	Fool-proof Dimensions(mm)			
		D	E	F	G
6P	Black	0.60	6.60	1.20	6.00
	Blue	1.80	5.40	2.40	4.80
	Green	3.00	4.20	3.60	3.60
	Red	4.20	3.00	4.80	2.40



Circuits	Color	Fool-proof Dimensions(mm)			
		D	E	F	G
4P	Black	0.30	4.50	0.90	3.90
	Blue	1.50	3.30	2.10	2.70
	Green	2.70	2.10	3.30	1.50
	Red	3.90	0.90	4.50	0.30
	White	0.30	4.50	0.90	3.90



Circuits	Color	Fool-proof Dimensions(mm)			
		D	E	F	G
8P	Black	0.60	9.00	1.20	8.40
	Blue	1.80	7.80	2.40	7.20
	Green	3.00	6.60	3.60	6.00
	Red	4.20	5.40	4.80	4.80

**CJTconn** CHANGJIANG CONNECTORS CO.,LTD.

Unit	Scale	Sheet	TITLE
mm	2:1	3 of 3	
DRWN Carrie Zhang		APPR Jack Yin	
General Tolerance		THIRD ANGLE PROJECTION	
x.x±0.25		DRAWING NO .	
x.xx±0.20			
x.xxx±0.15		A2549HN-XP	
ANGLES ±1°			
REV	DESCRIPTION	DATE	REV
A0	NEW RELEASE	2019.03.25	A0

