

Ordering Information:

A2547WRD-2xXP-A - <sup>\*\*</sup>/<sub>2</sub> - <sup>\*\*</sup>/<sub>3</sub>

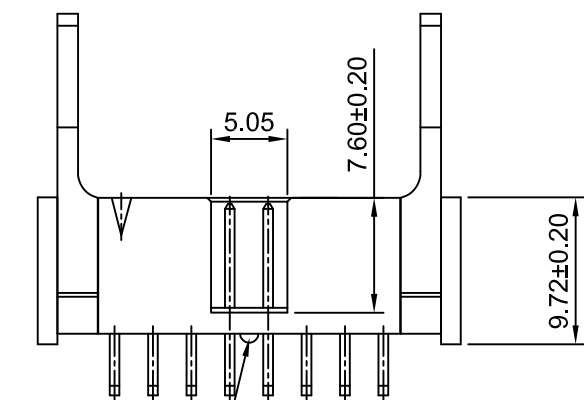
- Part No.
- Finish:  
(blank): Gold over Nickel(Au:1u")  
T: Tin over Nickel
- Size(L):  
(blank): 15.45mm  
L: 10.65mm

SPECIFICATIONS:

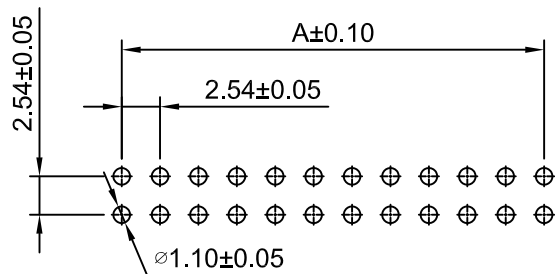
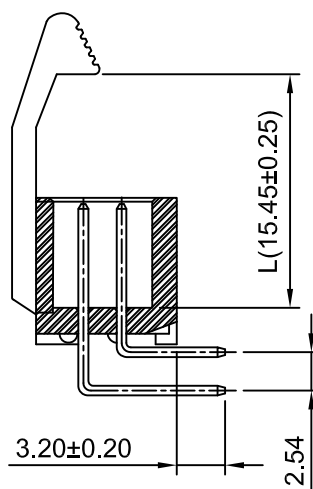
Current Rating: 3A AC,DC  
Voltage Rating: 250V AC,DC  
Temperature Range: -40°C ~ +105°C  
Contact Resistance: 20mΩ Max  
Insulation Resistance: 1000MΩ Min  
Withstanding Voltage: 1500V AC/minute  
Pin Material: Brass/Gold over Nickel  
Material: Nylon 6T,UL94V-0(Black)

Ordering Information & Dimensions

Circuits	Dimensions(mm)		Circuits	Dimensions(mm)	
	A	B		A	B
2x3P	5.08	15.32	2x18P	43.18	53.42
2x4P	7.62	17.86	2x19P	45.72	55.96
2x5P	10.16	20.40	2x20P	48.26	58.50
2x6P	12.70	22.94	2x21P	50.80	61.04
2x7P	15.24	25.48	2x22P	53.34	63.58
2x8P	17.78	28.02	2x23P	55.88	66.12
2x9P	20.32	30.56	2x24P	58.42	68.66
2x10P	22.86	33.10	2x25P	60.96	71.20
2x11P	25.40	35.64	2x26P	63.50	73.74
2x12P	27.94	38.18	2x27P	66.04	76.28
2x13P	30.48	40.72	2x28P	68.58	78.82
2x14P	33.02	43.26	2x29P	71.12	81.36
2x15P	35.56	45.80	2x30P	73.66	83.90
2x16P	38.10	48.34	2x31P	76.20	86.44
2x17P	40.64	50.88	2x32P	78.74	88.98



2xNP Whitout  
(N:odd number)



P.C.B LAYOUT

**CJTconn**

CHANGJIANG CONNECTORS CO.,LTD.

Unit	Scale	Sheet
mm	2:1	1 of 1

Draw By:	Approved :
Diankui Wan	Jack Yin

Title :	
2.54mm Pitch	
90° Box Header	
DRAW NO :	A2547WRD-2xXP-A
REV	A0

General Tolerance		
x.x±0.25	PROJECT	
x.xx±0.20	⊕	
x.xxx±0.15	⊖	
A0	NEW RELEASE	2017.02.24
REV	DESCRIPTION	DATE