

P.C.B LAYOUT  
TOLERANCE:±0.05

Ordering Information:

A2508WVA-2xXP-P-LCP - \*\* - D22 - \*\*\*  
1 2 3

1.Part No.

2.Finish:

(Blank): Tin over Nickel

G:Gold over Nickel (Au:1u")

G3: Gold over Nickel(Au:3u")

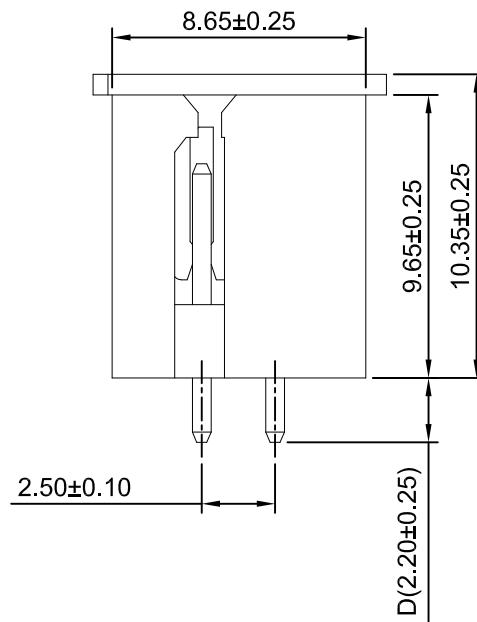
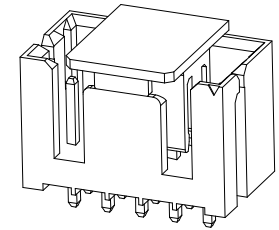
G15: Gold over Nickel(Au:15u",Mating Area)

G30: Gold over Nickel(Au:30u",Mating Area)

3.Packing:

(Blank): Bag

CRE: Tape & Reel with cap



SPECIFICATIONS:

Current Rating: 3A AC,DC

Voltage Rating: 250V AC,DC

Temperature Range: -25°C ~ +85°C

Contact Resistance: 20mΩ Max.

Insulation Resistance: 1000MΩ Min.

Withstanding Voltage: 1000V AC/minute

Pin Material: Brass

Material: LCP,UL94V-0(Beige)

Ordering Information & Dimensions

Circuits	Dimensions(mm)		
	A	B	C
A2508WVA-2x2P-P-LCP	2.50	7.50	5.70
A2508WVA-2x3P-P-LCP	5.00	10.00	8.20
A2508WVA-2x4P-P-LCP	7.50	12.50	10.70
A2508WVA-2x5P-P-LCP	10.00	15.00	13.20
A2508WVA-2x6P-P-LCP	12.50	17.50	15.70
A2508WVA-2x7P-P-LCP	15.00	20.00	18.20
A2508WVA-2x8P-P-LCP	17.50	22.50	20.70
A2508WVA-2x9P-P-LCP	20.00	25.00	23.20
A2508WVA-2x10P-P-LCP	22.50	27.50	25.70
A2508WVA-2x11P-P-LCP	25.00	30.00	28.20
A2508WVA-2x12P-P-LCP	27.50	32.50	30.70



CHANGJIANG CONNECTORS CO.,LTD.

Unit	Scale	Sheet
mm	5:1	1 of 1

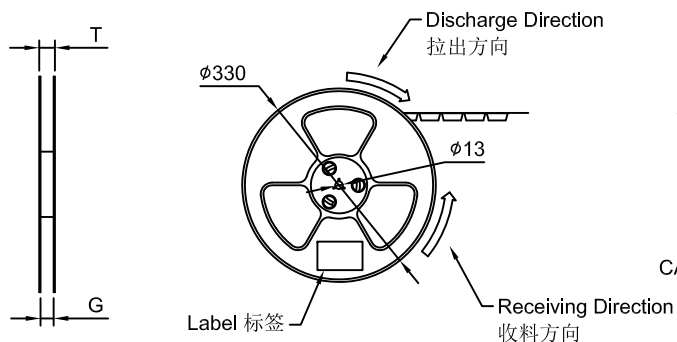
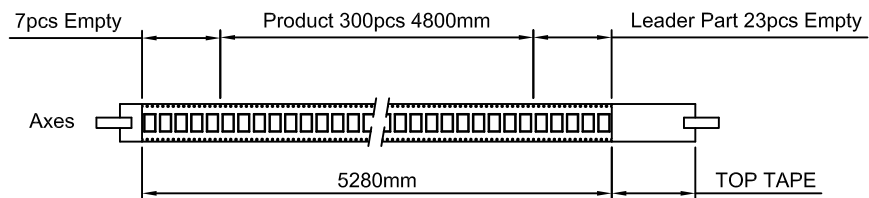
DRWN	CHK'D	APPR
Wenmin Luo	Diankui Wan	Jack Yin

General Tolerances	THIRD ANGLE PROJECTION
x,xx±0.25	
x,xxx±0.20	
x,xxxx±0.15	

TITLE  
2.50mm PITCH  
VERTICAL  
DUAL ROW WAFER

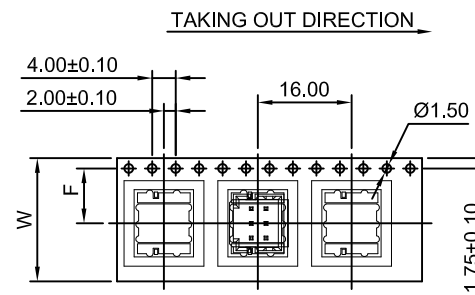
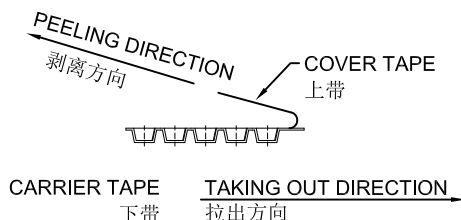
A0	NEW RELEASE	2020.10.12
REV	DESCRIPTION	DATE

DRAWING NO.	REV
A2508WVA-2xXP-P-LCP-D22	A0

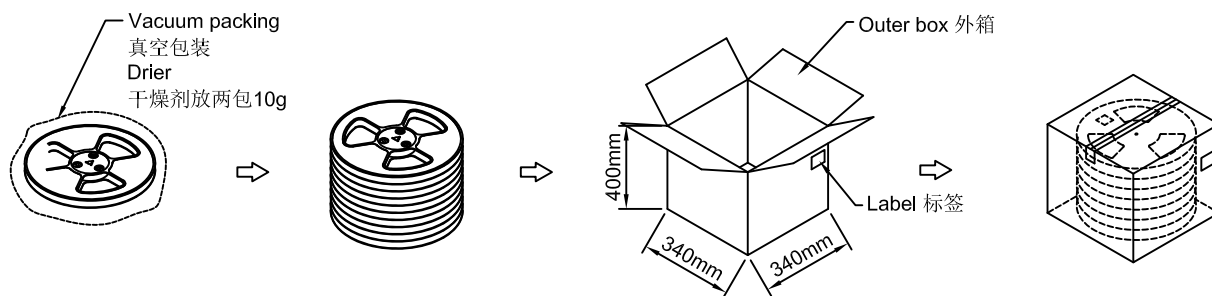


Single hole:None Hole Side  
 单孔: 贴无链孔侧  
 Double hole:Elliptical Hole Side  
 双孔: 贴椭圆孔侧

COVER TAPE PEEL STRENGTH:20~120g  
 PEEL SPEED:300mm/minute



WIDTH=24mm



NOTES:

- Carrier Camber Is Within 1mm In 100mm;带长100mm内容许弯曲度1mm
- 10 Sprocket Hole Pitch Cumulative Tolerance±0.20mm;圆孔十个孔距离累计允许公差为±0.20mm

Circuits	W	S	F	T	G	REEL /PCS	CARTON /R	CARTON /PCS
2x3P~2x4P	24.00	/	11.50	28.50	24.50	300	13	3900

**CJTconn** CHANGJIANG CONNECTORS CO.,LTD.

Unit mm	Scale 1:1.25	Sheet 1 of 1	TITLE <b>2.50mm PITCH VERTICAL WAFER PACKING</b>
DRAWN Haisen Li	CHK'D Diankui Wan	APPR Jack Yin	DRAWING NO. <b>A2508WVA-2xXP-P-LCP-D22</b>
General Tolerances x.xx±0.25 x.xxx±0.20 x.xxxx±0.15 ANGLES ±1°			THIRD ANGLE PROJECTION 
REV A0	DESCRIPTION NEW RELEASE	DATE 2024.11.16	REV A0