

Ordering Information:

A2501WV-XP-2 - ** - ** - **
 1 2 3 4

1.Part No.

2.Material:

(blank)-Nylon 66,UL94V-0

GF-Nylon 66 +30%GF,UL94V-0

6T-Nylon 6T,UL94V-0(Natural)

3.Color:

(blank):White

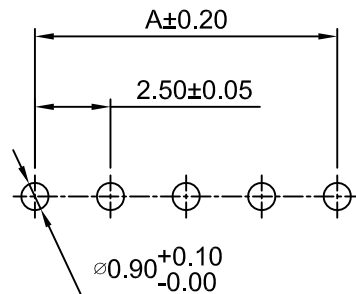
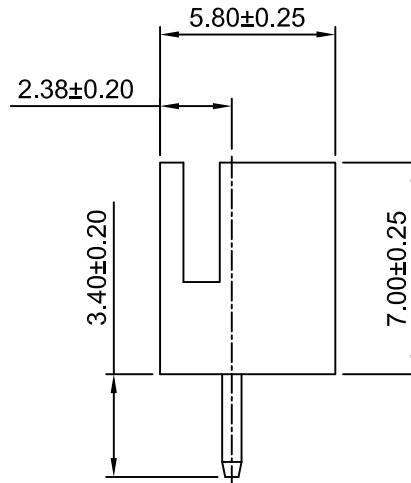
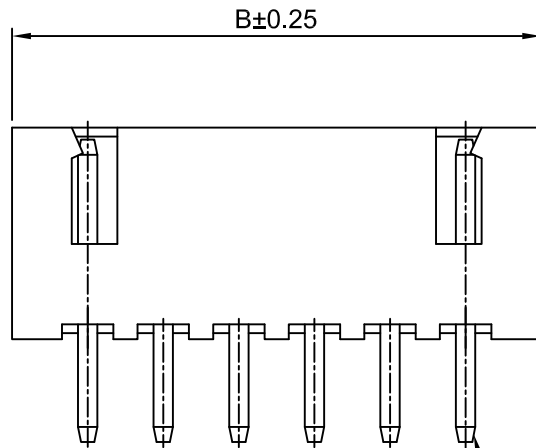
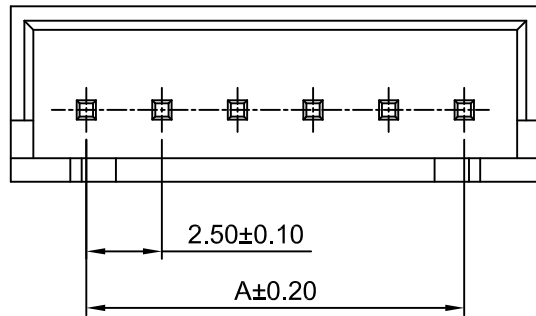
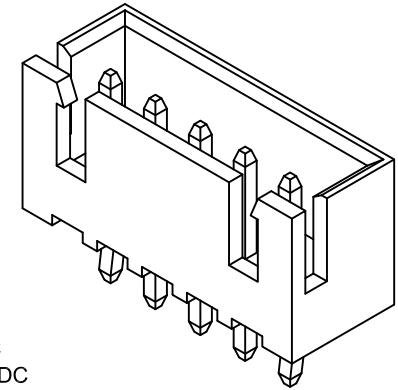
YL:Yellow

BK:Black

BL:Blue

RD:Red

GN:Green



P.C.B LAYOUT

Circuit 1
PIN 0.64 SQ

SPECIFICATIONS:

Current Rating: 3A AC,DC

Voltage Rating: 250V AC,DC

Temperature Range: -40°C ~ +105°C

Contact Resistance: 10mΩ Max

Insulation Resistance: 1000MΩ Min

Withstanding Voltage: 1000V AC/minute

Pin Material: Brass/Tin over Nickel

Material: Nylon 66,UL94V-0(White)

Ordering Information & Dimensions

Circuits	Dimensions(mm)		Circuits	Dimensions(mm)	
	A	B		A	B
2P	2.50	7.50	12P	27.50	32.50
3P	5.00	10.00	13P	30.00	35.00
4P	7.50	12.50	14P	32.50	37.50
5P	10.00	15.00	15P	35.00	40.00
6P	12.50	17.50	16P	37.50	42.50
7P	15.00	20.00	17P	40.00	45.00
8P	17.50	22.50	18P	42.50	47.50
9P	20.00	25.00	19P	45.00	50.00
10P	22.50	27.50	20P	47.50	52.50
11P	25.00	30.00			

CJTconn

CHANGJIANG CONNECTORS CO.,LTD.

Unit	Scale	Sheet
mm	4:1	1 of 1

Draw By:	Approved :
Diankui Wan	Jack Yin

Title :	
2.50mm Pitch	
180° DIP Wafer	
DRAW NO :	A2501WV-XP-2
REV	A2

REV	DESCRIPTION	DATE	General Tolerance
A2	CHANGE THE DRAW NO.	2020.04.17	
A1	CHANGE THE MODEL	2019.03.04	x.xx±0.25
A0	NEW RELEASE	2005.05.10	x.xx±0.20
			x.xxx±0.15

