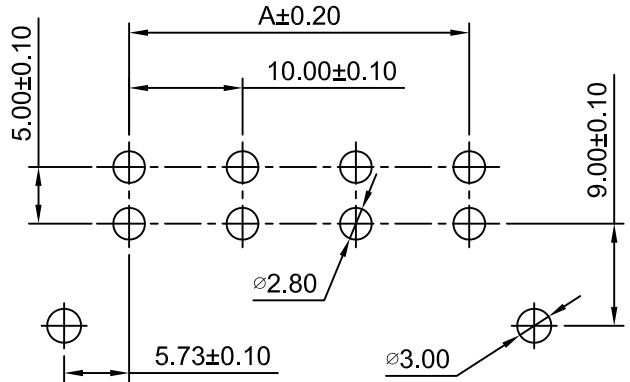
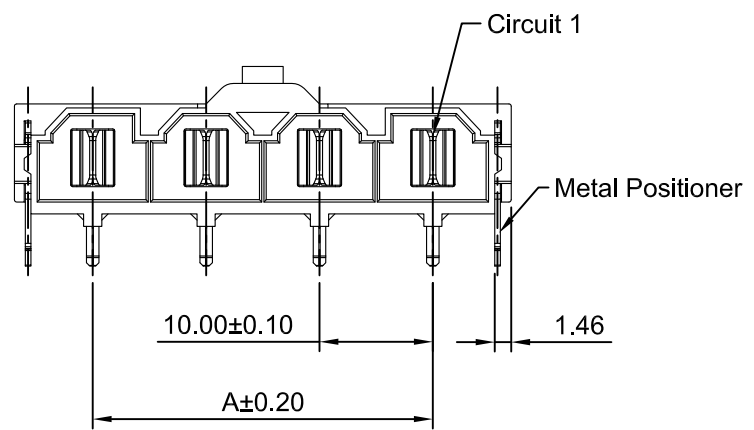
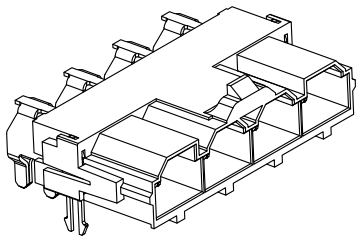
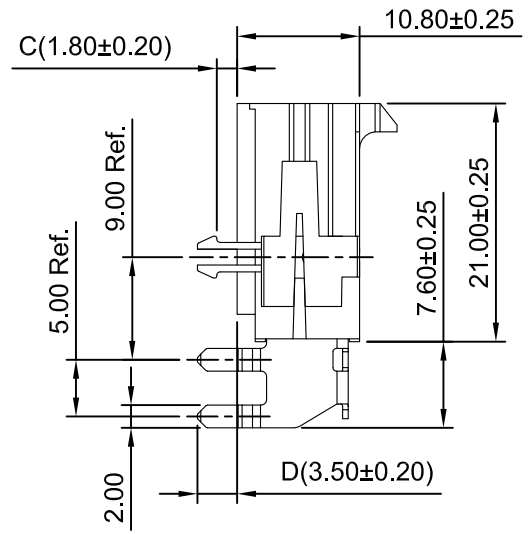
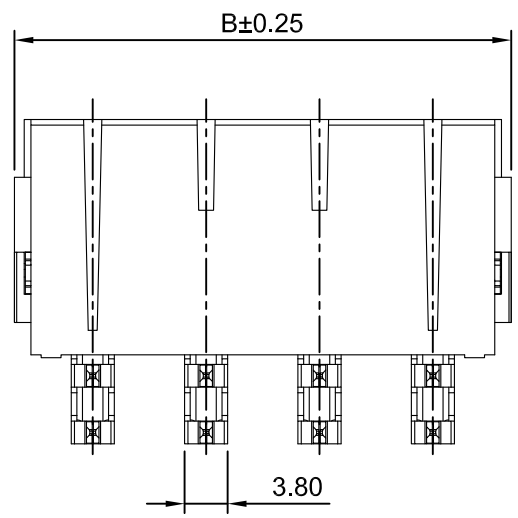


Ordering Information:
A2361WRA-XP - ** - ***
 1 2 3

- 1.Part NO.
 2.Size C & Size D:
 (Blank): C=1.80mm,D=3.50mm
 (P.C.B Board thickness:1.57mm)
2: C=2.60mm,D=5.10mm
 (P.C.B Board thickness:2.36mm)
3: C=3.40mm,D=5.10mm
 (P.C.B Board thickness:3.18mm)
4: C=6.58mm,D=8.30mm
 (P.C.B Board thickness:6.35mm)
 3.Pin Finish:
 (Blank): Tin over Nickel
 S: Silver over Nickel
 G: Gold over Nickel(Au:1u",Mating Area)
 G30: Gold over Nickel(Au:30u",Mating Area)



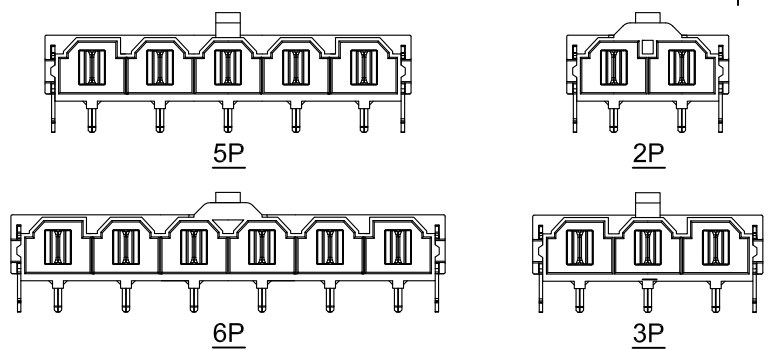
P.C.B LAYOUT
 TOLERANCE:±0.05



SPECIFICATIONS:
 Current Rating: 50A AC,DC
 Voltage Rating: 600V AC,DC
 Temperature Range: -40°C ~ +105°C
 Contact Resistance: 10mΩ Max
 Insulation Resistance: 1000MΩ Min
 Withstanding Voltage: 1500V AC/minute
 Pin Material: Phosphor Bronze
 Metal Positioner Material: Brass/Tin over Nickel
 Material: Nylon 46+30%GF,UL94V-0(Black)

Ordering Information & Dimensions

Part NO.	Dimensions(mm)	
	A	B
A2361WRA-2P	10.00	23.82
A2361WRA-3P	20.00	33.82
A2361WRA-4P	30.00	43.82
A2361WRA-5P	40.00	53.82
A2361WRA-6P	50.00	63.82



CJTconn CHANGJIANG CONNECTORS CO.,LTD.

Unit	Scale	Sheet	TITLE
mm	1.5:1	1 of 1	10.00mm PITCH RIGHT-ANGLE WAFER
DRAWN: Dengchun Yi, CHK'D: Diankui Wan, APPR: Jack Yin			
General Tolerances			THIRD ANGLE PROJECTION
A4	MODIFY DRAWING	2023.02.01	DRAWING NO. A2361WRA-XP
A3	CHANGE THE DRAWING	2021.02.26	
A2	CHANGE THE INFORMATION	2020.10.27	
A1	CHANGE THE DRAWING	2019.06.17	
A0	NEW RELEASE	2017.08.02	REV A4
REV	DESCRIPTION	DATE	