

Ordering Information:

A1255WRA-S-XP - ***
 1 2

1.Part NO.

2.Finish:

(Blank):Tin over Nickel

G:Gold Flash (Au:1u")

SPECIFICATIONS:

Current Rating: 1A AC,DC

Voltage Rating: 150V AC,DC

Temperature Range: -40°C ~ +105°C

Contact Resistance: 30mΩ Max.

Insulation Resistance: 500MΩ Min.

Withstanding Voltage: 500V AC/minute

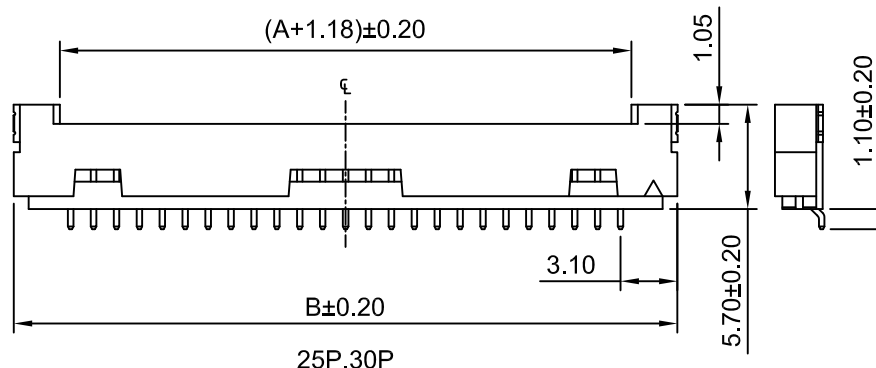
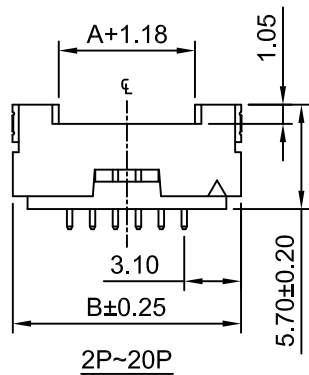
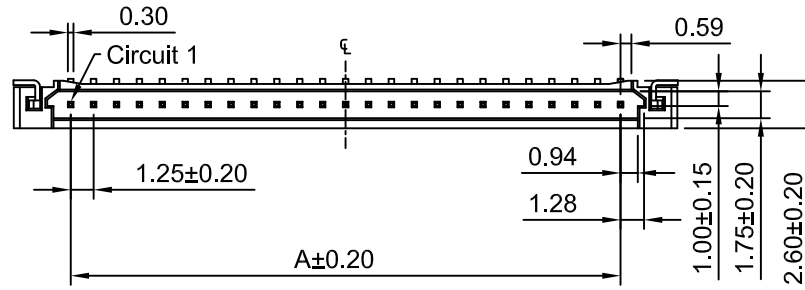
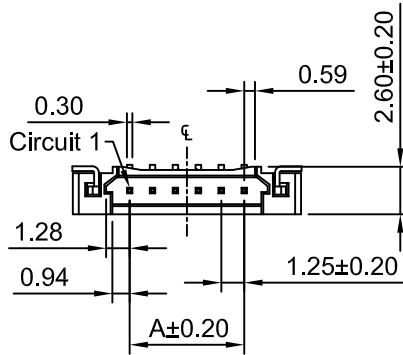
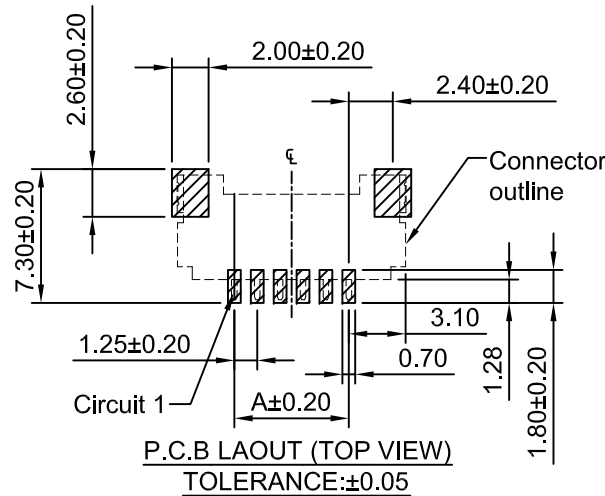
Pin Material: Brass/Tin over Nickel

Solder Tabs: Brass

Material: Nylon 6T,UL94V-0(Beige)

Ordering Information & Dimensions

Circuits	Dimensions(mm)	
	A	B
A1255WRA-S-2P	1.25	7.45
A1255WRA-S-3P	2.50	8.70
A1255WRA-S-4P	3.75	9.95
A1255WRA-S-5P	5.00	11.20
A1255WRA-S-6P	6.25	12.45
A1255WRA-S-7P	7.50	13.70
A1255WRA-S-8P	8.75	14.95
A1255WRA-S-9P	10.00	16.20
A1255WRA-S-10P	11.25	17.45
A1255WRA-S-11P	12.50	18.70
A1255WRA-S-12P	13.75	19.95
A1255WRA-S-13P	15.00	21.20
A1255WRA-S-14P	16.25	22.45
A1255WRA-S-15P	17.50	23.70
A1255WRA-S-20P	23.75	29.95
A1255WRA-S-25P	30.00	36.20
A1255WRA-S-30P	36.25	42.45



CJTconn CHANGJIANG CONNECTORS CO.,LTD.

Unit mm Scale 2.5:1 Sheet 1 of 1

DRAWN Haisen Li CHK'D Diankui Wan APPR Jack Yin

General Tolerances
 x.xx±0.25
 x.xxx±0.20
 x.xxxx±0.15
 ANGLES ±1°

TITLE
**1.25mm PITCH
 RIGHT-ANGLE WAFER - SMT TYPE**

DRAWING NO. **A1255WRA-S-XP** REV A3

REV	DESCRIPTION	DATE
A3	CHANGE THE DRAWING	2021.07.29
A2	CHANGE THE DRAWING	2021.03.16
A1	CHANGE THE DRAWING	2021.02.25
A0	NEW RELEASE	2014.01.21