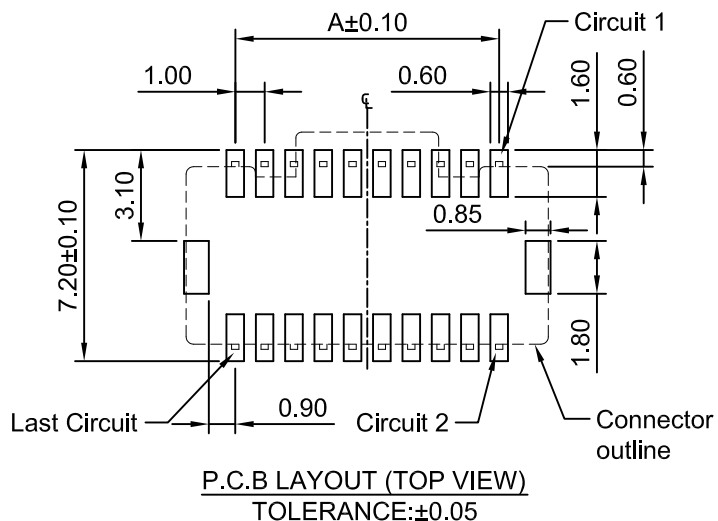
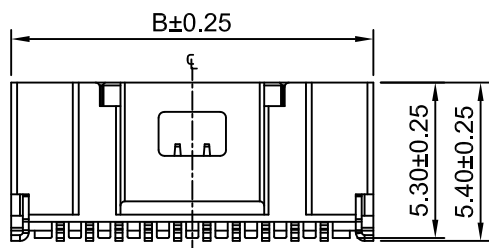
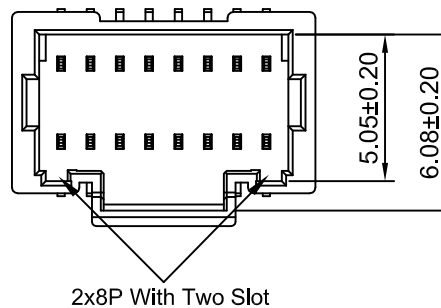


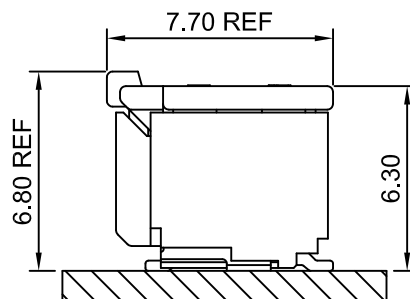
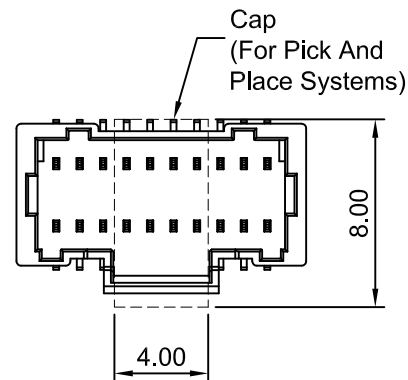
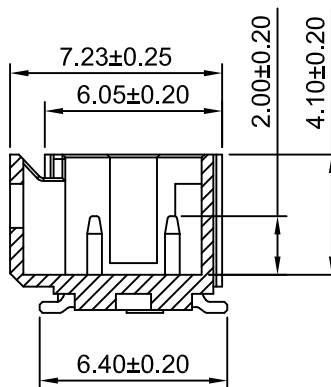
2x10P~2x25P With Four Slot



P.C.B LAYOUT (TOP VIEW)
TOLERANCE: ±0.05



2x8P With Two Slot



ASSEMBLY LAYOUT

Ordering Information:
A1008WV-S-2xXP - *** - ***
1 2 3

- Part NO.
- Color:
(Blank): Natural
BK: Black
GN: Green
RD: Red
- Pin Finish:
(Blank): Gold Flash(Au:1u")
G4:: Gold over Nickel(Au:4u",mating area;
Au:1u",other area.)
G15: Gold over Nickel(Au:15u",Mating
Area;Au:1u",other area.)
G30: Gold over Nickel(Au:30u",Mating Area;
Au:1u",other area.)
T: Tin over Nickel

SPECIFICATIONS:

Current Rating: 1A AC,DC
Voltage Rating: 100V AC,DC
Temperature Range: -40°C ~ +105°C
Contact Resistance: 20mΩ Max
Insulation Resistance: 500MΩ Min
Withstanding Voltage: 500V AC/minute
Pin Material: Phosphor Bronze
Soder Tabs: Brass/Tin over Nickel
Material: Nylon 4T, UL94V-0

Ordering Information & Dimensions

Part NO.	Dimensions(mm)	
	A	B
A1008WV-S-2x8P	7.00	10.35
A1008WV-S-2x10P	9.00	12.35
A1008WV-S-2x12P	11.00	14.35
A1008WV-S-2x14P	13.00	16.35
A1008WV-S-2x15P	14.00	17.35
A1008WV-S-2x18P	17.00	20.35
A1008WV-S-2x20P	19.00	22.35
A1008WV-S-2x25P	24.00	27.35

CJTconn CHANGJIANG CONNECTORS CO.,LTD.

REV	DESCRIPTION	DATE	Unit	Scale	Sheet
A5	CHANGE THE DRAWING	2022.11.17	mm	4:1	1 of 1
A4	CHANGE THE DRAWING	2022.04.12	DRAWN	CHK'D	APPR
A3	ADD THE DRAWING OF 2X8P	2021.06.29	Haisen Li	Diankui Wan	Jack Yin
A2	UPDATED DRAWINGS	2021.05.28	General Tolerances		
A1	CHANGE THE DRAWING	2021.02.23	x.xx±0.25 x.xxx±0.20 x.xxxx±0.15		
A0	NEW RELEASE	2005.07.01	ANGLES ±1°		

Unit	Scale	Sheet
mm	4:1	1 of 1

TITLE	
1.00mm PITCH VERTICAL DUAL ROW HEADER - SMD TYPE	
DRAWING NO.	REV
A1008WV-S-2xXP	A5