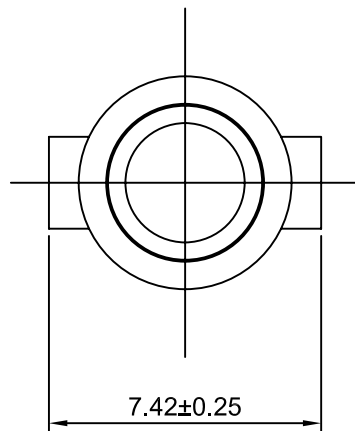


SPECIFICATIONS:

Current Rating: 12A AC,DC
 Voltage Rating: 250V AC,DC
 Temperature Range: -40°C ~ +105°C
 Contact Resistance: 10mΩ Max
 Insulation Resistance: 1000MΩ Min
 Withstanding Voltage: 1500V AC/minute
 Material: Nylon 66,UL94V-2(Natural)



CJTconn CHANGJIANG CONNECTORS CO.,LTD.		
Unit mm	Scale 5:1	Sheet 1 of 1
Draw BY: LIZQ	Approved : GONGYB	
General Tolerance		
x.x≤0.25		ANGLE±
x.xx≤0.20		
x.xxx≤0.15		
Title : 5.03mm PITCH HOUSING		
DRAW NO : C5030HF-1P		REV A0

A0	NEW RELEEASE	2005.05.10
REV	DESCRIPTION	DATE