

Ordering Information:

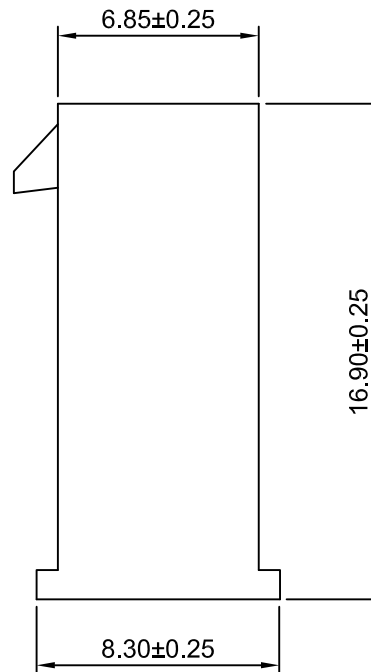
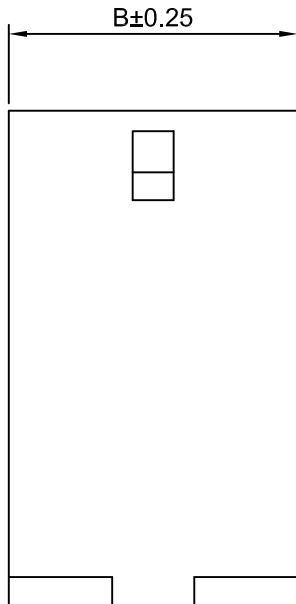
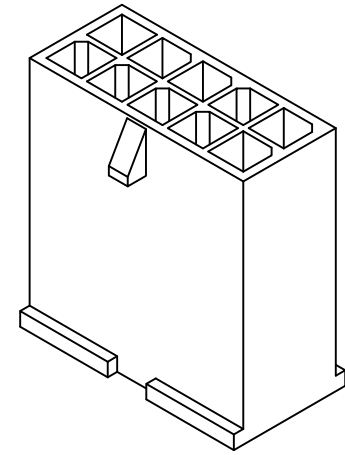
C3030HMC-2xXP - **
1 2

1.Part No.

2.Material:

(blank):Nylon 66 UL94V-0

GWT:Nylon 66 UL94V-0,GWT 750°C



SPECIFICATIONS:

Current Rating: 12.5A AC,DC (AWG #18)

Voltage Rating: 600V AC,DC

Temperature Range: -40°C ~ +105°C

Contact Resistance: 10mΩ Max

Insulation Resistance: 1000MΩ Min

Withstanding Voltage: 1500V AC/minute

Material: Nylon 66,UL94V-0(Black)

Ordering Information & Dimensions

Circuits	Dimensions(mm)		Circuits	Dimensions(mm)	
	A	B		A	B
2x1P	----	3.85	2x7P	18.00	21.85
2x2P	3.00	6.85	2x8P	21.00	24.85
2x3P	6.00	9.85	2x9P	24.00	27.85
2x4P	9.00	12.85	2x10P	27.00	30.85
2x5P	12.00	15.85	2x11P	30.00	33.85
2x6P	15.00	18.85	2x12P	33.00	36.85

CJTconn

CHANGJIANG CONNECTORS CO.,LTD.

Unit	Scale	Sheet
mm	4:1	1 of 1
DRWN	CHK'D	APPR
Xu Lei	Diankui Wan	Jack Yin

TITLE
3.00mm PITCH
Dual Row HOUSING

A2	CHANGE THE DRAWING	2022.01.14
A1	CHANGE THE Current Rating	2018.12.15
A0	NEW RELEASE	2011.06.02
REV	DESCRIPTION	DATE

General Tolerances
x.x±0.25
x.xx±0.20
x.xxx±0.15
ANGLES ±1°

THIRD ANGLE
PROJECTION

DRAWING NO.
C3030HMC-2xXP

REV
A2