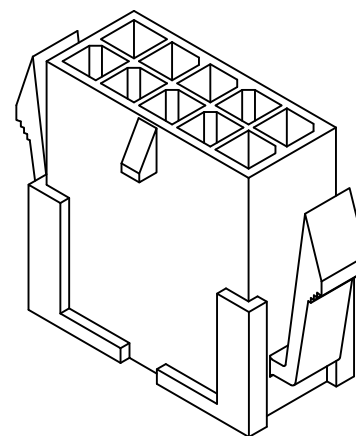
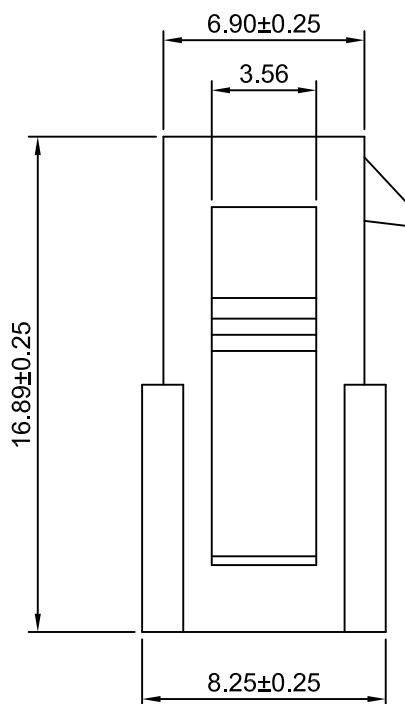
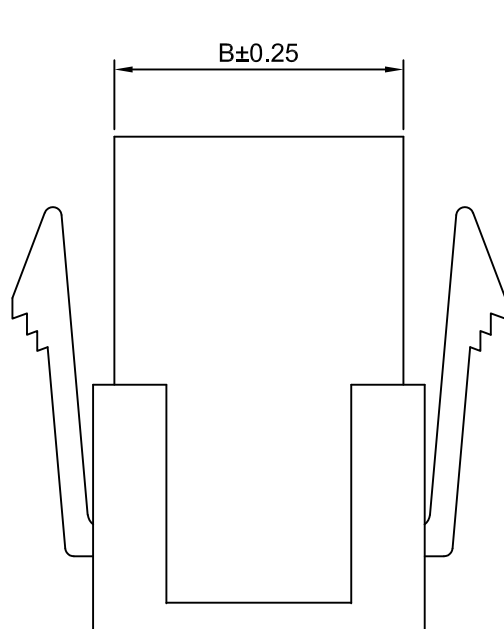


RECOMMENDED PANEL CUT-OUT
(DESIGNED FOR 1.40mm TO 2.54mm THICK
STAMPED PANEL OR PRINTED CIRCUIT BOARD)



REV	DESCRIPTION	DATE
A0	NEW RELEASE	2009.05.10
A1	CHANGE THE DRAWING	2017.11.04
A2	CHANGE THE CURRENT RATING	2018.12.14
A3	CHANGE THE DRAWING	2020.11.11
A4	UPDATED DRAWING	2021.03.09
A5	CHANGE THE DRAWING	2022.01.04

Ordering Information:

C3030HM-2xXP - ***

1 2

1.Part NO.

2.Material:

(Blank): Nylon 66,UL94V-0

GWT: Nylon 66,UL94V-0,

IEC 60335-1,5th Edition

Glow Wire Capable.

V2: Nylon 66,UL94V-2

SPECIFICATIONS:

Current Rating: 12.5A AC,DC (MAX)

Voltage Rating: 600V AC,DC

Temperature Range: -40°C ~ +105°C

Contact Resistance: 10mΩ Max

Insulation Resistance: 1000MΩ Min

Withstanding Voltage: 1500V AC/minute

Material: Nylon 66,UL94V-0 (Black)

Ordering Information & Dimensions

Part NO.	Dimensions(mm)	
	A	B
C3030HM-2x1P	---	3.85
C3030HM-2x2P	3.00	6.85
C3030HM-2x3P	6.00	9.85
C3030HM-2x4P	9.00	12.85
C3030HM-2x5P	12.00	15.85
C3030HM-2x6P	15.00	18.85
C3030HM-2x7P	18.00	21.85
C3030HM-2x8P	21.00	24.85
C3030HM-2x9P	24.00	27.85
C3030HM-2x10P	27.00	30.85
C3030HM-2x11P	30.00	33.85
C3030HM-2x12P	33.00	36.85

CJTconn CHANGJIANG CONNECTORS CO.,LTD.

Unit mm Scale 2:1 Sheet 1 of 1

DRWN Xu Lei CHK'D Diankui Wan APPR Jack Yin

General Tolerances
x.x±0.25
x.xx±0.20
x.xxx±0.15
ANGLES ±1°



TITLE
3.00mm PITCH
DUAL ROW HOUSING

DRAWING NO. C3030HM-2xXP REV A5