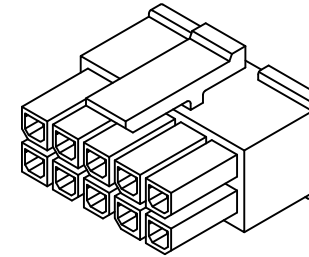
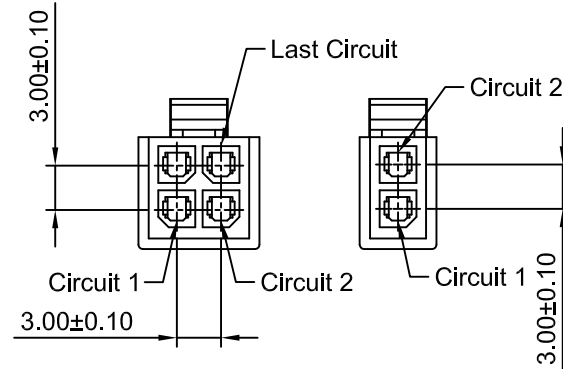
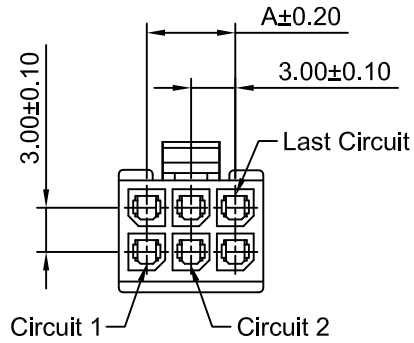


REV	DESCRIPTION	DATE
A0	NEW RELEASE	2009.05.10
A1	CHANGE THE DRAWING	2017.11.04
A2	CHANGE THE CURRENT RATING	2018.12.14
A3	CHANGE THE DRAWING	2019.07.22
A4	CHANGE THE DRAWING	2020.11.11



Ordering Information:

C3030HF-2xXP - ***
1 / 2

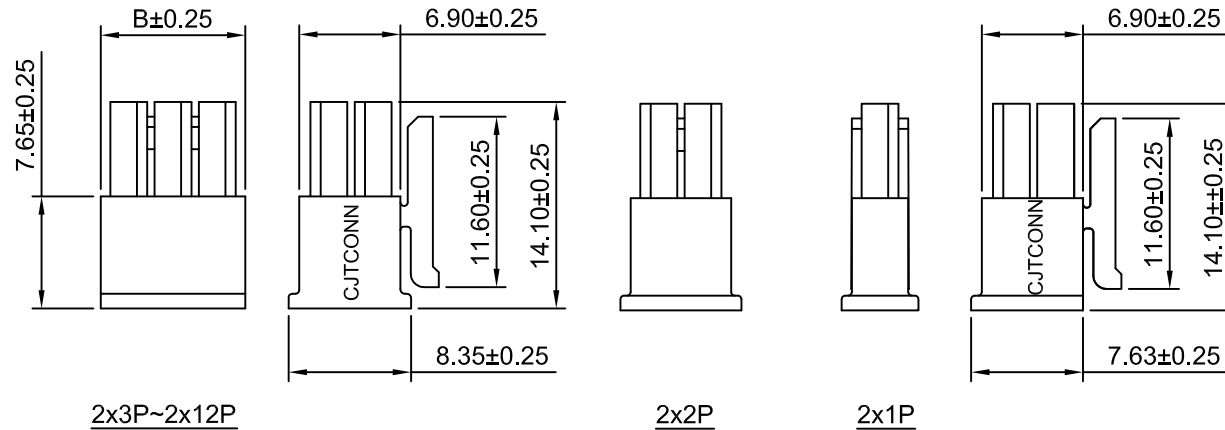
- Part No.
- Material:
(blank): Nylon 66,UL94V-0
GWT: Nylon 66,UL94V-0,
IEC 60335-1,5th Edition
Glow Wire Capable.

SPECIFICATIONS:

- Current Rating: 8.5A AC,DC (MAX)
- Voltage Rating: 600V AC,DC
- Temperature Range: -40°C ~ +105°C
- Contact Resistance: 10mΩ Max
- Insulation Resistance: 1000MΩ Min
- Withstanding Voltage: 1500V AC/minute
- Material: Nylon 66,UL94V-0 (Black)

Ordering Information & Dimensions

Part NO.	Dimensions(mm)	
	A	B
C3030HF-2x2P	3.00	6.85
C3030HF-2x3P	6.00	9.85
C3030HF-2x4P	9.00	12.85
C3030HF-2x5P	12.00	15.85
C3030HF-2x6P	15.00	18.85
C3030HF-2x7P	18.00	21.85
C3030HF-2x8P	21.00	24.85
C3030HF-2x9P	24.00	27.85
C3030HF-2x10P	27.00	30.85
C3030HF-2x11P	30.00	33.85
C3030HF-2x12P	33.00	36.85



CJTconn CHANGJIANG CONNECTORS CO.,LTD.

Unit mm	Scale 2:1	Sheet 1 of 1	TITLE 3.00mm PITCH DUAL ROW HOUSING
DRWN Dengchun Yi	CHKD Dlankul Wan	APPR Jack Yin	DRAWING NO. C3030HF-2xXP
General Tolerances x.xx±0.25 x.xxx±0.20 x.xxxx±0.15 ANGLES ±1°	THIRD ANGLE PROJECTION 		REV A4