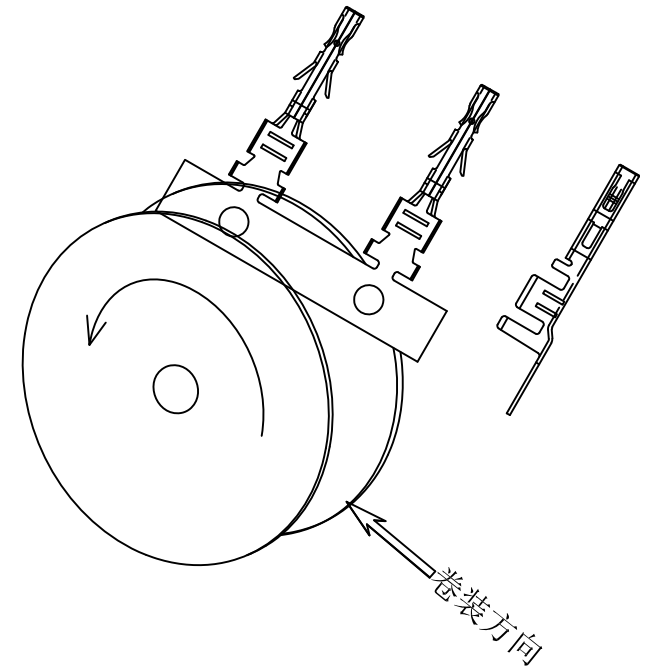


Ordering Information:
C3030F-T-D - ***
 1 2

1.Part NO.
 2.Finish:

(Blank): Gold over Nickel (Au:1u")
 G10: Gold over Nickel (Au:10u" Mating area)
 G15: Gold over Nickel (Au:15u" Mating area)
 G30: Gold over Nickel (Au:30u" Mating area)



Ordering information & Specifications

Unit:mm

Part NO.	Wire Range	Insulation O.D.	Material	Finish	Qty/reel
C3030F-TP-D	AWG#20-#24	2.00mm(max)	Phosphor Bronze	Tin over Nickel	7,000 PCS
C3030F-GP-D	AWG#20-#24	2.00mm(max)	Phosphor Bronze	Gold over Nickel	7,000 PCS
C3030F-TCA-D	AWG#20-#24	2.00mm(max)	High conductive copper alloy	Tin over Nickel	7,000 PCS
C3030F-GCA-D	AWG#20-#24	2.00mm(max)	High conductive copper alloy	Gold over Nickel	7,000 PCS

CJTconn CHANGJIANG CONNECTORS CO.,LTD.

Unit	Scale	Sheet	TITLE
mm	5:1	1 of 1	3.00mm PITCH CRIMP TERMINAL
DRWN	CHK'D	APPR	
Wenmin Luo	Diankui Wan	Jack Yin	
General Tolerances		THIRD ANGLE PROJECTION	DRAWING NO.
x.xx±0.25	x.xxx±0.20		C3030F-T-D
x.xxx±0.15	ANGLES ±1°		
A0	NEW RELEASE	2020.05.10	REV A0
REV	DESCRIPTION	DATE	