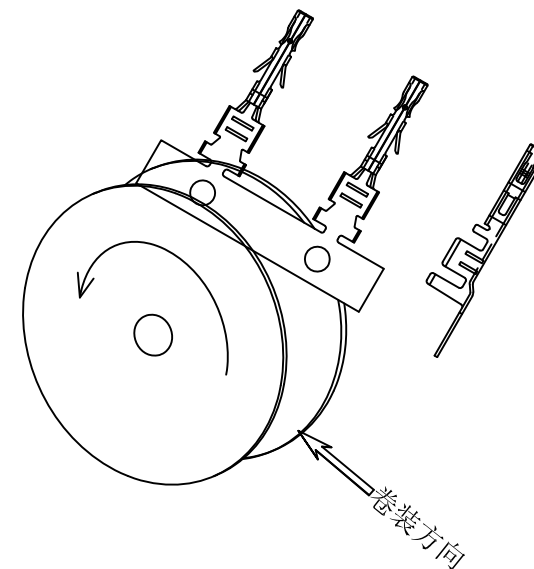


Ordering Information:
C3030F-GP-D-L - ***
 1 2

1.Part NO.
 2.Finish:

(Blank): Gold over Nickel (Au:1u")
 G10: Gold over Nickel (Au:10u"Mating area)
 G15: Gold over Nickel (Au:15u"Mating area)
 G30: Gold over Nickel (Au:30u"Mating area)



Ordering information & Specifications

Unit:mm

Part NO.	Wire Range	Insultion O.D.	Material	Finish	Qty/reel
C3030F-TP-D-L	AWG#26-#30	1.27mm(max)	Phosphor Bronze	Tin over Nickel	7,000 PCS
C3030F-GP-D-L	AWG#26-#30	1.27mm(max)	Phosphor Bronze	Gold over Nickel	7,000 PCS

REV	DESCRIPTION	DATE
A0	NEW RELEASE	2020.05.10

CJTconn CHANGJIANG CONNECTORS CO.,LTD.

Unit mm	Scale 5:1	Sheet 1 of 1	TITLE
DRWN Wenmin Luo	CHK'D Diankui Wan	APPR Jack Yin	3.00mm PITCH CRIMP TERMINAL
General Tolerances			
THIRD ANGLE PROJECTION			C3030F-T-D-L
x.xx±0.25 x.xxx±0.20 x.xxxx±0.15 ANGLES ±1°			REV A0