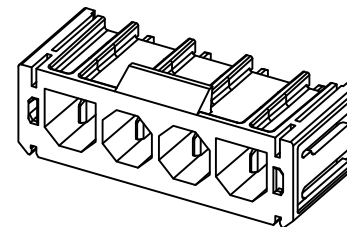
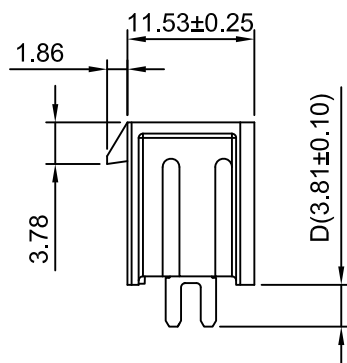
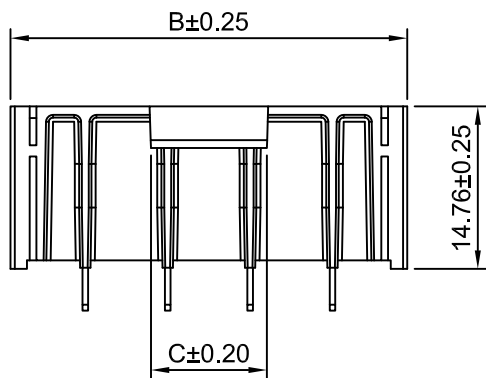


P.C.B LAYOUT



Ordering Information:  
**A7501WVB-XP** - \*\*  
 1 2  
 1.Part No.  
 2.Size D:  
 (Blank): D=3.81mm  
 D53: D=5.33mm



**SPECIFICATIONS:**

Current Rating: 18A AC,DC  
 Voltage Rating: 600V AC,DC  
 Temperature Range: -40°C ~ +105°C  
 Contact Resistance: 10mΩ Max  
 Insulation Resistance: 1000MΩ Min  
 Withstanding Voltage: 1500V AC/minute  
 Pin Material: Brass/Tin over Nickel  
 Solder Tabs: Brass/Gold over Nickel  
 Material: LCP, UL94V-0(Black)

**Ordering Information & Dimensions**

Circuits	Dimensions(mm)			Circuits	Dimensions(mm)		
	A	B	C		A	B	C
2P	7.49	21.08	3.05	5P	29.96	43.56	10.54
3P	14.98	28.58	3.05	6P	37.45	51.05	10.54
4P	22.47	36.07	10.54	8P	44.94	66.04	10.54

**CJTconn** CHANGJIANG CONNECTORS CO.,LTD.

Unit	Scale	Sheet	TITLE
mm	1.5:1	1 of 1	7.49MM PITCH 180° WAFER
DRWN	CHK'D	APPR	
Wenmin Luo	Diankui Wan	Jack Yin	
General Tolerances	THIRD ANGLE PROJECTION		DRAWING NO.
A1 CHANGE THE DRAWING 2021.04.02			A7501WVB-XP
A0 NEW RELEASE 2019.12.17			
REV DESCRIPTION DATE			
x.xx±0.25 x.xxx±0.20 x.xxxx±0.15 ANGLES ±1°			REV A0

A1	CHANGE THE DRAWING	2021.04.02
A0	NEW RELEASE	2019.12.17
REV	DESCRIPTION	DATE