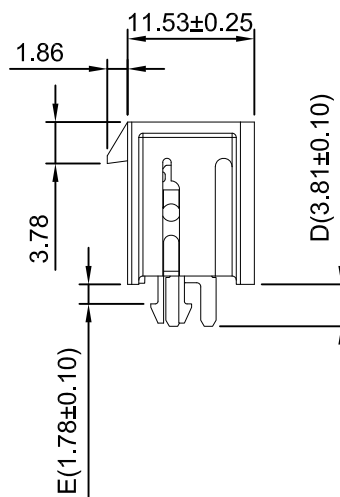
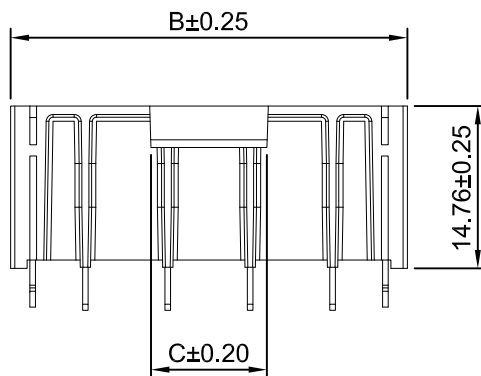
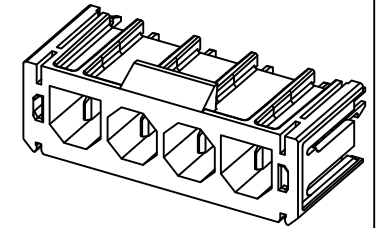


P.C.B LAYOUT



Ordering Information:  
 A7501WVB-F-XP - \*\* - \*\*\*  
                           1      2   3

- 1.Part No.
- 2.Size D:  
 (Blank): D=3.81mm  
 D53: D=5.33mm
- 3.Size E:  
 (Blank): E=1.78mm(D38)  
 E26: E=2.59mm(D38,D53)  
 E34: E=3.38mm(D53)



**SPECIFICATIONS:**

Current Rating: 18A AC,DC  
 Voltage Rating: 600V AC,DC  
 Temperature Range: -40°C ~ +105°C  
 Contact Resistance: 10mΩ Max  
 Insulation Resistance: 1000MΩ Min  
 Withstanding Voltage: 1500V AC/minute  
 Pin Material: Brass/Tin over Nickel  
 Solder Tabs:Brass/Gold over Nickel  
 Material:LCP,UL94V-0(Black)

**Ordering Information & Dimensions**

Circuits	Dimensions(mm)			Circuits	Dimensions(mm)		
	A	B	C		A	B	C
2P	7.49	21.08	3.05	5P	29.96	43.56	10.54
3P	14.98	28.58	3.05	6P	37.45	51.05	10.54
4P	22.47	36.07	10.54	8P	44.94	66.04	10.54



CHANGJIANG CONNECTORS CO.,LTD.

Unit	Scale	Sheet
mm	1.5:1	1 of 1

Title :

7.49mm Pitch

Draw By:	Approved :
Dengchun Yi	Jack Yin

180° Wafer

General Tolerance

A0	NEW RELEASE	2019.12.17
REV	DESCRIPTION	DATE

x.xx±0.25	PROJECT
x.xx±0.20	
x.xxx±0.15	

DRAW NO : A7501WVB-F-XP

REV  
A0