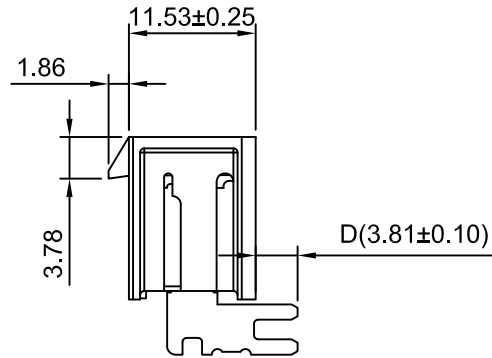
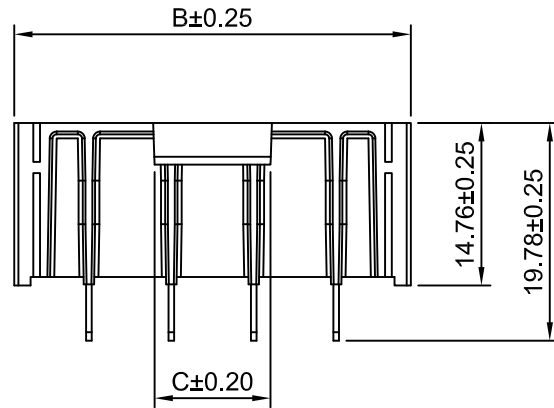


P.C.B LAYOUT



Ordering Information:  
 A7501WRB-XP - \*\*  
 1 2  
 1.Part No.  
 2.Size D:  
 (Blank): D=3.81mm  
 D53: D=5.33mm

**SPECIFICATIONS:**

Current Rating: 18A AC,DC  
 Voltage Rating: 600V AC,DC  
 Temperature Range: -40°C ~ +105°C  
 Contact Resistance: 10mΩ Max  
 Insulation Resistance: 1000MΩ Min  
 Withstanding Voltage: 1500V AC/minute  
 Pin Material: Brass/Tin over Nickel  
 Solder Tabs:Brass/Gold over Nickel  
 Material:LCP,UL94V-0(Black)

**Ordering Information & Dimensions**

Circuits	Dimensions(mm)			Circuits	Dimensions(mm)		
	A	B	C		A	B	C
2P	7.49	21.08	3.05	5P	29.96	43.56	10.54
3P	14.98	28.58	3.05	6P	37.45	51.05	10.54
4P	22.47	36.07	10.54	8P	44.94	66.04	10.54

**CJTconn** CHANGJIANG CONNECTORS CO.,LTD.

Unit	Scale	Sheet
mm	1.5:1	1 of 1
DRWN	CHK'D	APPR
Wenmin Luo	Diankui Wan	Jack Yin

TITLE  
**7.49MM PITCH  
 90° WAFER**

General Tolerances  
 x.xx±0.25  
 x.xxx±0.20  
 x.xxxx±0.15  
 ANGLES ±1°

THIRD ANGLE PROJECTION	DRAWING NO.	REV
	A7501WRB-XP	A1

A1	CHANGE THE DRAWING	2021.04.02
A0	NEW RELEASE	2019.12.17
REV	DESCRIPTION	DATE