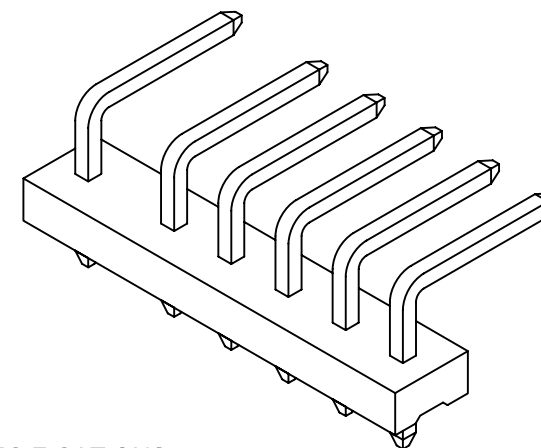


P.C.B LAYOUT

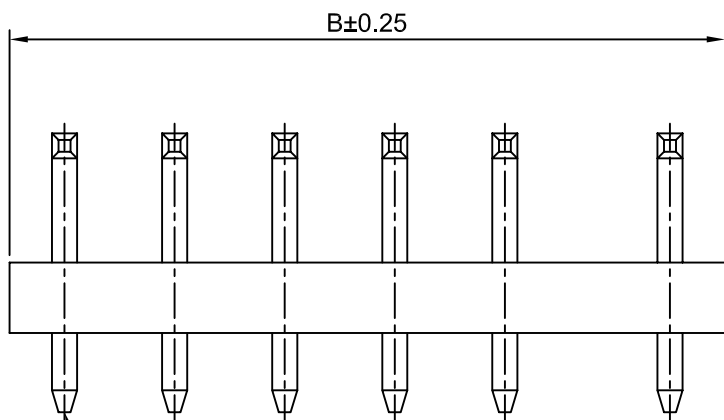


SPECIFICATIONS:

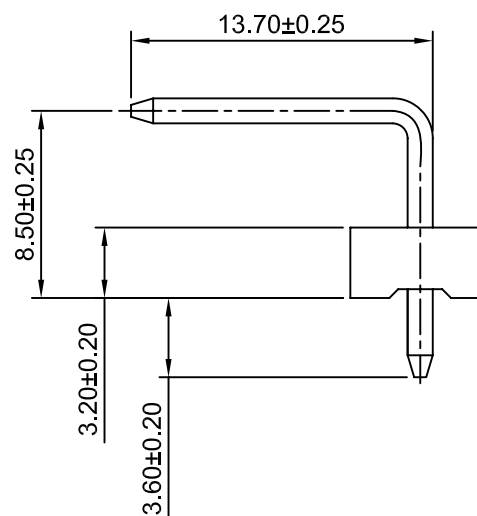
Current Rating: 7A AC,DC
 Voltage Rating: 250V AC,DC
 Temperature Range: -40°C ~ +105°C
 Contact Resistance: 10mΩ Max
 Insulation Resistance: 1000MΩ Min
 Withstanding Voltage: 1500V AC/minute
 Pin Material: Brass/Tin over Nickel
 Material: Nylon 66,UL94V-2(White)

Ordering Information & Dimensions

Circuits	Dimensions(mm)		Circuits	Dimensions(mm)	
	A	B		A	B
2P	7.50	12.50	5P	22.50	27.50
3P	12.50	17.50	6P	27.50	32.50
4P	17.50	22.50			



PIN 1.14 SQ



CHANGJIANG CONNECTORS CO.,LTD.

Unit	Scale	Sheet
mm	3:1	1 of 1

Title :
7.50-5.00mm PITCH
90° WAFER

Draw BY:	Approved :
LIZQ	GONGYB

General Tolerance

x.x±0.25	ANGLE±
x.xx±0.20	
x.xxx±0.15	

DRAW NO : **A7501WRA-XP**

REV
A0

A0	NEW RELEESE	2005.05.10
REV	DESCRIPTION	DATE