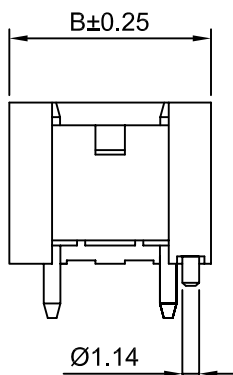
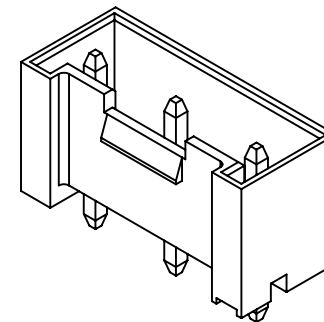
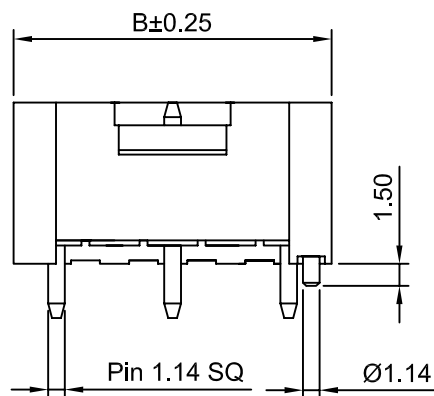


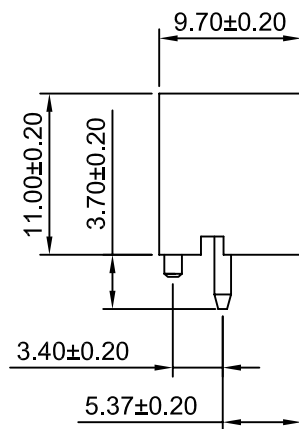
P.C.B LAYOUT



3P



4~15P



SPECIFICATIONS:

Current Rating: 10A AC,DC(AWG #16)
 Voltage Rating: 250V AC,DC
 Temperature Range: -40°C ~ +105°C
 Contact Resistance: 10mΩ Max
 Insulation Resistance: 1000MΩ Min
 Withstanding Voltage: 1500V AC/minute
 Pin Material: Brass/Tin over Nickel
 Material: PBT+30%GF,UL94V-0(White)

Ordering Information & Dimensions

| Circuits | Dimensions(mm) | | Circuits | Dimensions(mm) | |
|----------|----------------|-------|----------|----------------|-------|
| | A | B | | A | B |
| 3P | 7.92 | 13.76 | 11P | 39.60 | 45.44 |
| 5P | 15.84 | 21.68 | 13P | 47.52 | 53.36 |
| 7P | 23.76 | 29.60 | 15P | 55.44 | 61.28 |
| 9P | 31.68 | 37.52 | | | |



CHANGJIANG CONNECTORS CO.,LTD.

| | | |
|----------|------------|--------|
| Unit | Scale | Sheet |
| mm | 2:1 | 1 of 1 |
| Draw BY: | Approved : | |
| Tony Su | Jack Yin | |

Title :
7.92mm PITCH
180° WAFER

| REV | DESCRIPTION | DATE | General Tolerance | ANGLE± |
|-----|-----------------|------------|-------------------|--------|
| A1 | Update the size | 2017.04.20 | x.xx±0.25 | |
| A0 | NEW RELEASE | 2012.05.24 | x.xx±0.20 | |
| | | | x.xxx±0.15 | |

DRAW NO : A3963WVD-F-XP-A REV A1