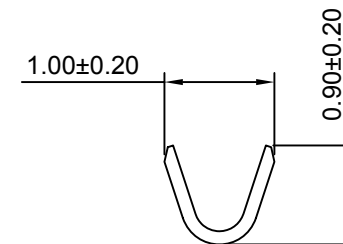
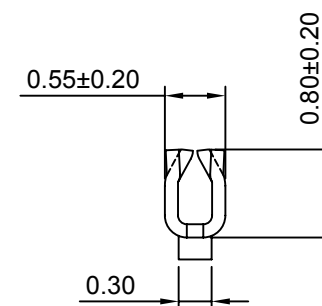


SEC: A-A



SEC: B-B



SEC: C-C

Ordering information & Specifications

Unit:mm

Part No	Wire Range	Insulation O.D.	Material	Finish	Qty/reel
A0801-TP	AWG#28-#32	0.60mm(max)	Phosphor Bronze	Tin over Nickel	45,000 PCS
A0801-GP	AWG#28-#32	0.60mm(max)	Phosphor Bronze	Gold over Nickel	45,000 PCS

Optional Gold plating available but MOQ requested



CHANGJIANG CONNECTORS CO.,LTD.

Unit	Scale	Sheet
mm	15:1	1 of 1

Title : 0.80mm PITCH

Draw BY:	Approved :
Jack Yin	GONGYB

CRIMP TERMINAL

General Tolerance

DRAW NO : A0801-T

A0	NEW RELEASE	2014.12.10
REV	DESCRIPTION	DATE

x.xx±0.25	ANGLE±
x.xx±0.20	
x.xxx±0.15	

REV	A0
-----	----