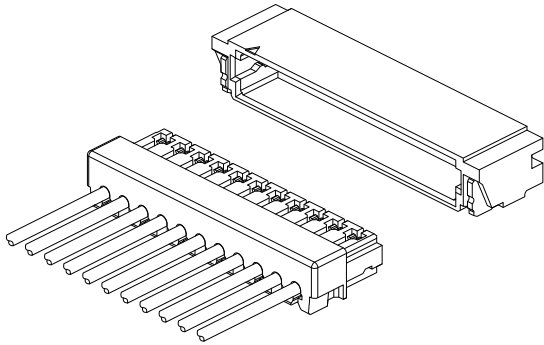
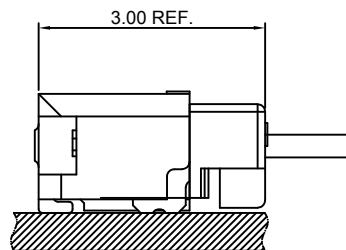


Specifications

- Current rating:0.2A AC,DC
Voltage rating:30V AC,DC
Temperature range:-40°C~+105°C
Contact resistance:30mΩMax.
Insulation resistance:100MΩMin.
Withstanding voltage:200V AC/minute
Compliant with RoHS and REACH
Meet the HF/Halogen Free,need to customize
Contact CJT for details



Assembly layout

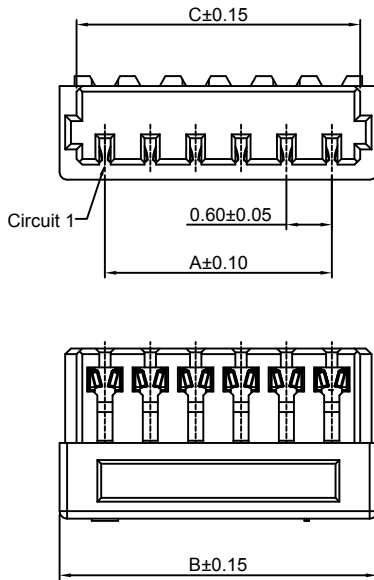


D0601H-XP

0.60mm pitch Housing

Reference Informations:

- *Material: Nylon 66,UL94V-0
- *Mates with CJT D0601WR-S-XP series Wafer
- *Color:Natural



Ordering Information:

D0601H-XP - *** - **
1 2 3

- 1.Part No.
- 2.Material:
(blank):Nylon 66,UL94V-0
GWT:Nylon 66,UL94V-0,GWT 750°C
- 3.Color:
(blank):Natural
BK:Black

Ordering Information & Dimensions:

PART NO.	Dimensions		
	A	B	C
2P	0.60	2.20	1.58
3P	1.20	2.80	2.18
4P	1.80	3.40	2.78
5P	2.40	4.00	3.38
6P	3.00	4.60	3.98
7P	3.60	5.20	4.58
8P	4.20	5.80	5.18
9P	4.80	6.40	5.78
10P	5.40	7.00	6.38
11P	6.00	7.60	6.98
12P	6.60	8.20	7.58
13P	7.20	8.80	8.18
14P	7.80	9.40	8.78
15P	8.40	10.00	9.38
16P	9.00	10.60	9.98
17P	9.60	11.20	10.58
18P	10.20	11.80	11.18
19P	10.80	12.40	11.78
20P	11.40	13.00	12.38

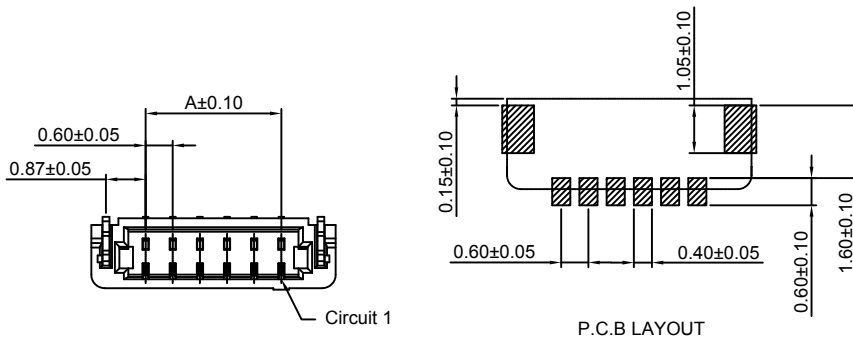
Unit: mm

D0601WR-S-XP

0.60mm pitch 90° Wafer - SMT TYPE

Reference Informations:

- *Material:
Terminal:Brass/Gold over Nickel
Housing: LCP,UL94V-0
- *Mates with CJT D0601H-XP series Housing
- *Color:Natural



Ordering Information:

D0601WR-S-XP - *** - **
1 2 3

- 1.Part No.
- 2.Material:
(blank):Nylon 66,UL94V-0
GWT:Nylon 66,UL94V-0,GWT 750°C
- 3.Color:
(blank):Natural
BK:Black

Ordering Information & Dimensions:

PART NO.	Dimensions	
	A	B
4P	1.80	4.20
5P	2.40	4.80
6P	3.00	5.40
7P	3.60	6.00
8P	4.20	6.60
10P	5.40	7.80
12P	6.60	9.00

Unit: mm