

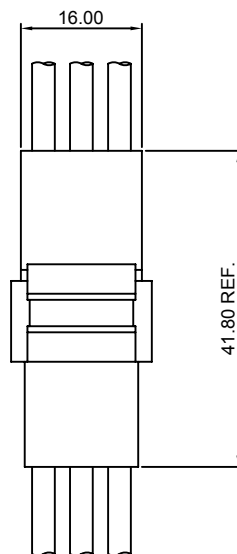
Specifications

- Current rating:12A AC,DC
- Voltage rating:250V AC,DC
- Temperature range:-40°C~+105°C
- Contact resistance:10mΩ Max.
- Insulation resistance:1000MΩ Min.
- Withstanding voltage:1500V AC/minute
- *Compliant with RoHS and REACH*
- *Meet the HF/Halogen Free,GWT/Glow wire Test (IEC60335-1) request,need to customize*
- *Contact CJT for details*

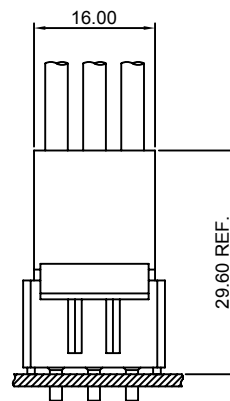
Standards



Assembly layout



wire to wire



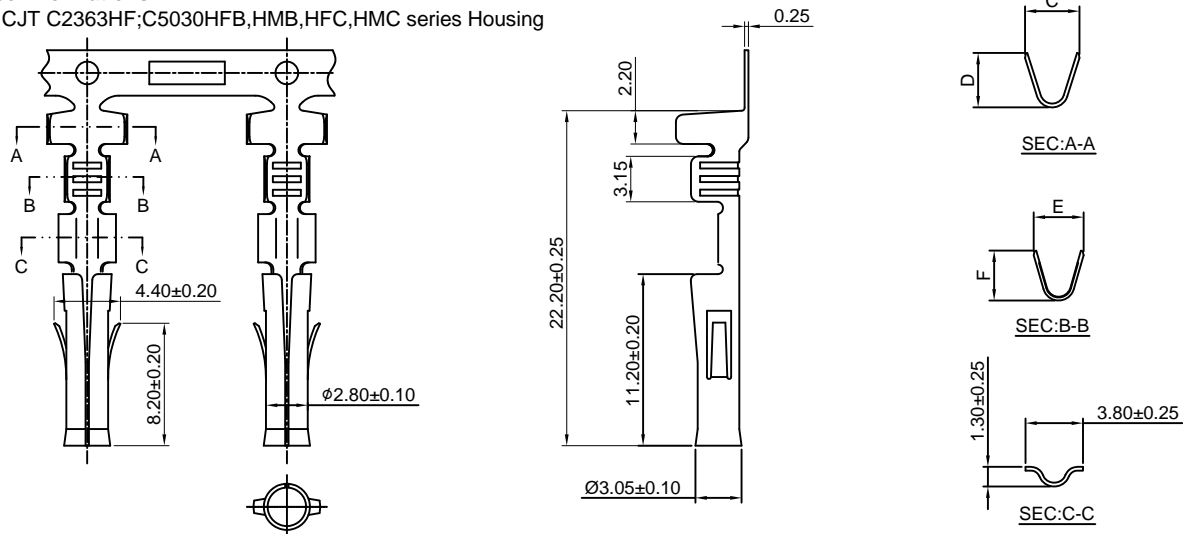
wire to board

C5030F-T(-H)

5.03mm pitch Crimp Terminal

Reference Informations:

*Used in CJT C2363HF;C5030HFB,HMB,HFC,HMC series Housing



Ordering information & Specifications:

Unit:mm

Part NO.	Wire Range	Insulation O.D.	Material	Finish	C	D	E	F	Qty/reel
C5030F-TB	AWG#18-#24	3.10mm(max)	Brass	Tin over Nickel	3.60	3.60	3.30	3.30	5,000 PCS
C5030F-TP	AWG#18-#24	3.10mm(max)	Phosphor Bronze	Gold over Nickel	3.60	3.60	3.30	3.30	5,000 PCS
C5030F-GB	AWG#18-#24	3.10mm(max)	Brass	Tin over Nickel	3.60	3.60	3.30	3.30	5,000 PCS
C5030F-GP	AWG#18-#24	3.10mm(max)	Phosphor Bronze	Gold over Nickel	3.60	3.60	3.30	3.30	5,000 PCS
C5030F-TB-H	AWG#14-#20	4.10mm(max)	Brass	Tin over Nickel	4.70	4.80	3.00	3.40	5,000 PCS
C5030F-TP-H	AWG#14-#20	4.10mm(max)	Phosphor Bronze	Gold over Nickel	4.70	4.80	3.00	3.40	5,000 PCS
C5030F-GB-H	AWG#14-#20	4.10mm(max)	Brass	Tin over Nickel	4.70	4.80	3.00	3.40	5,000 PCS
C5030F-GP-H	AWG#14-#20	4.10mm(max)	Phosphor Bronze	Gold over Nickel	4.70	4.80	3.00	3.40	5,000 PCS

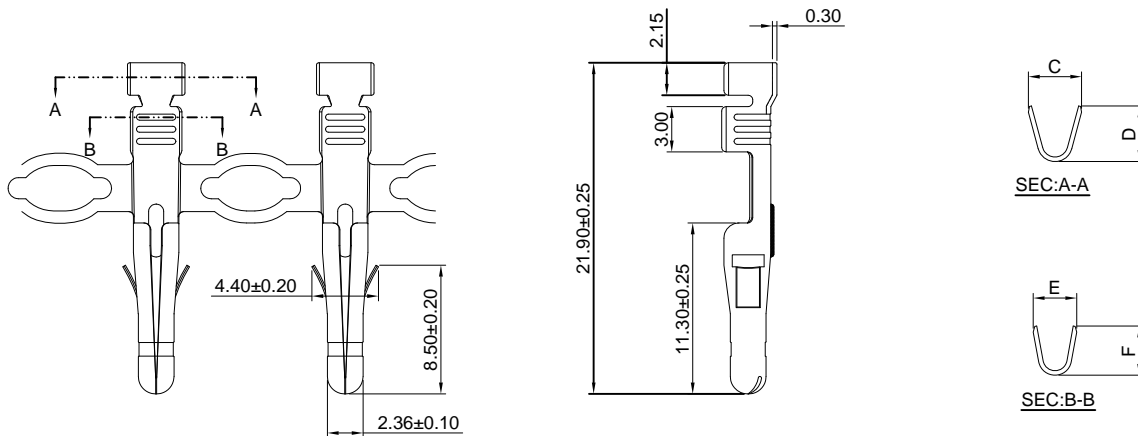
Optional Gold plating available but MOQ requested

C5030M-T(-H)

5.03mm pitch Crimp Terminal

Reference Informations:

*Used in CJT C2363HM,HMA;C5030HMB,HFB,HMC,HFC series Housing



Ordering information & Specifications:

Unit:mm

Part NO.	Wire Range	Insulation O.D.	Material	Finish	C	D	E	F	Qty/reel
C5030M-TB	AWG#18-#24	3.10mm(max)	Brass	Tin over Nickel	3.50	3.70	2.90	3.30	5,000 PCS
C5030M-TP	AWG#18-#24	3.10mm(max)	Phosphor Bronze	Gold over Nickel	3.50	3.70	2.90	3.30	5,000 PCS
C5030M-GB	AWG#18-#24	3.10mm(max)	Brass	Tin over Nickel	3.50	3.70	2.90	3.30	5,000 PCS
C5030M-GP	AWG#18-#24	3.10mm(max)	Phosphor Bronze	Gold over Nickel	3.50	3.70	2.90	3.30	5,000 PCS
C5030M-TB-H	AWG#14-#20	4.10mm(max)	Brass	Tin over Nickel	5.40	4.90	3.20	3.30	4,000 PCS
C5030M-TP-H	AWG#14-#20	4.10mm(max)	Phosphor Bronze	Gold over Nickel	5.40	4.90	3.20	3.30	4,000 PCS
C5030M-GB-H	AWG#14-#20	4.10mm(max)	Brass	Tin over Nickel	5.40	4.90	3.20	3.30	4,000 PCS
C5030M-GP-H	AWG#14-#20	4.10mm(max)	Phosphor Bronze	Gold over Nickel	5.40	4.90	3.20	3.30	4,000 PCS

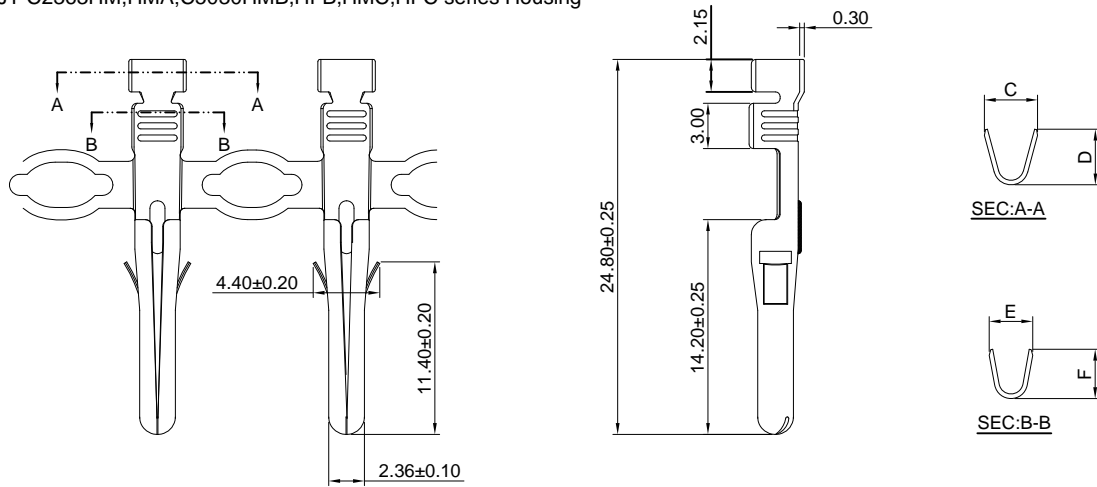
Optional Gold plating available but MOQ requested

C5030ML-T(-H)

5.03mm pitch Crimp Terminal

Reference Informations:

*Used in CJT C2363HM,HMA;C5030HMB,HFB,HMC,HFC series Housing


Ordering information & Specifications:

Unit:mm

Part NO.	Wire Range	Insulation O.D.	Material	Finish	C	D	E	F	Qty/reel
C5030ML-TB	AWG#18-#24	3.10mm(max)	Brass	Tin over Nickel	3.50	3.70	2.90	3.30	5,000 PCS
C5030ML-TP	AWG#18-#24	3.10mm(max)	Phosphor Bronze	Gold over Nickel	3.50	3.70	2.90	3.30	5,000 PCS
C5030ML-GB	AWG#18-#24	3.10mm(max)	Brass	Tin over Nickel	3.50	3.70	2.90	3.30	5,000 PCS
C5030ML-GP	AWG#18-#24	3.10mm(max)	Phosphor Bronze	Gold over Nickel	3.50	3.70	2.90	3.30	5,000 PCS
C5030ML-TB-H	AWG#14-#20	4.10mm(max)	Brass	Tin over Nickel	5.40	4.90	3.20	3.30	4,000 PCS
C5030ML-TP-H	AWG#14-#20	4.10mm(max)	Phosphor Bronze	Gold over Nickel	5.40	4.90	3.20	3.30	4,000 PCS
C5030ML-GB-H	AWG#14-#20	4.10mm(max)	Brass	Tin over Nickel	5.40	4.90	3.20	3.30	4,000 PCS
C5030ML-GP-H	AWG#14-#20	4.10mm(max)	Phosphor Bronze	Gold over Nickel	5.40	4.90	3.20	3.30	4,000 PCS

Optional Gold plating available but MOQ requested

C5030H

5.03mm Pitch Housing

Reference Informations:

- *Material: Nylon 66, UL94V-2
- *C5030HMB (Suitable Terminal: C5030M(F)-T(-H))
- *C5030HFB (Suitable Terminal: C5030F(M)-T(-H))
- *Color: Natural

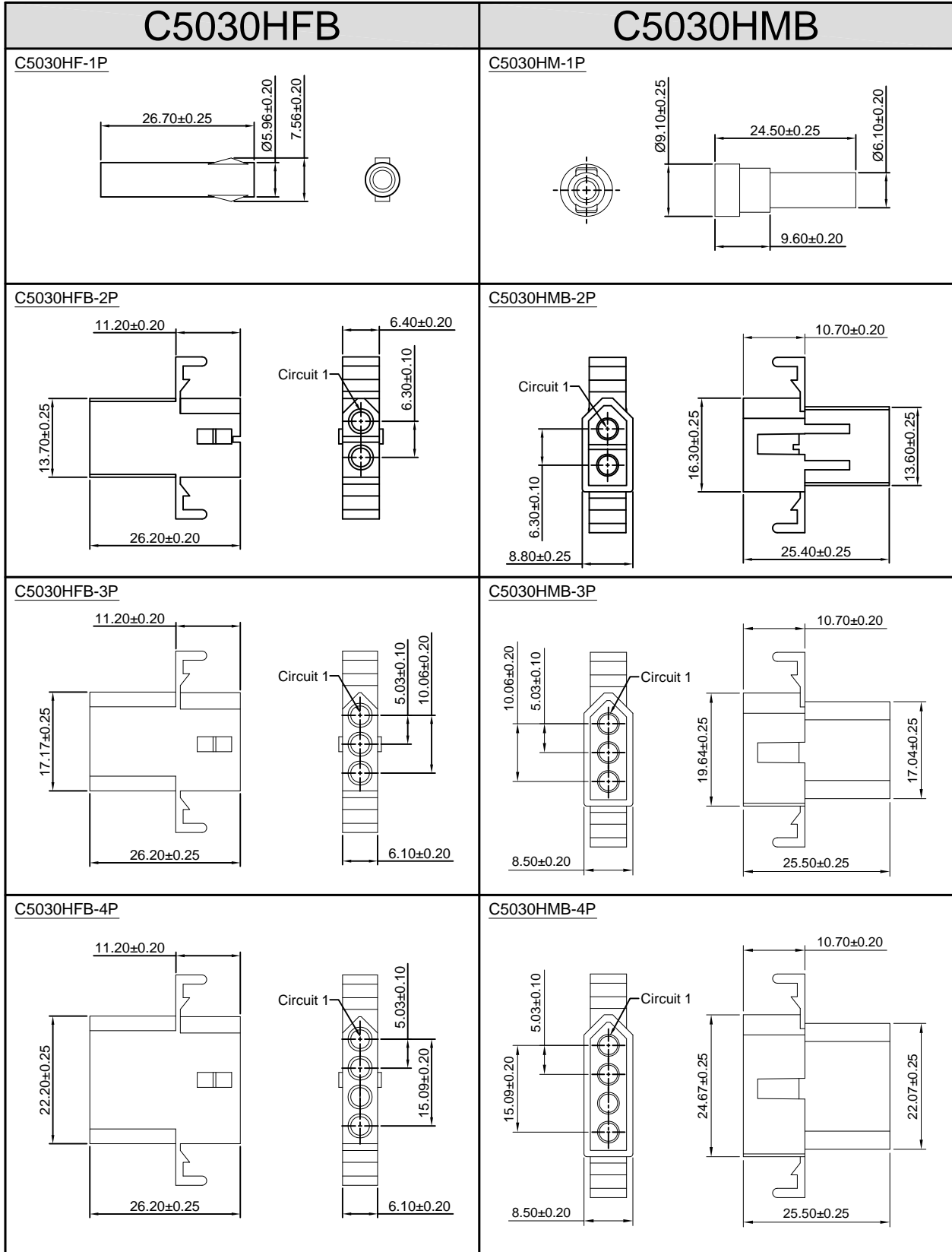
Ordering Information:

C5030HFB/HMB-XP - ***
1 2

- 1. Part No.
- 2. Material:

(blank): Nylon 66, UL94V-2/Natural
V0: Nylon 66, UL94V-0/White
GWT: Nylon 66, UL94V-0, GWT 750°C

Unit: mm



C5030H

5.03mm Pitch Housing

Reference Informations:

- *Material: Nylon 66, UL94V-2
- *C5030HMB (Suitable Terminal: C5030M(F)-T(-H))
- *C5030HFB (Suitable Terminal: C5030F(M)-T(-H))
- *Color: Natural

Ordering Information:

C5030HFB/HMB-2xXP - ***
 1 2

1. Part No.

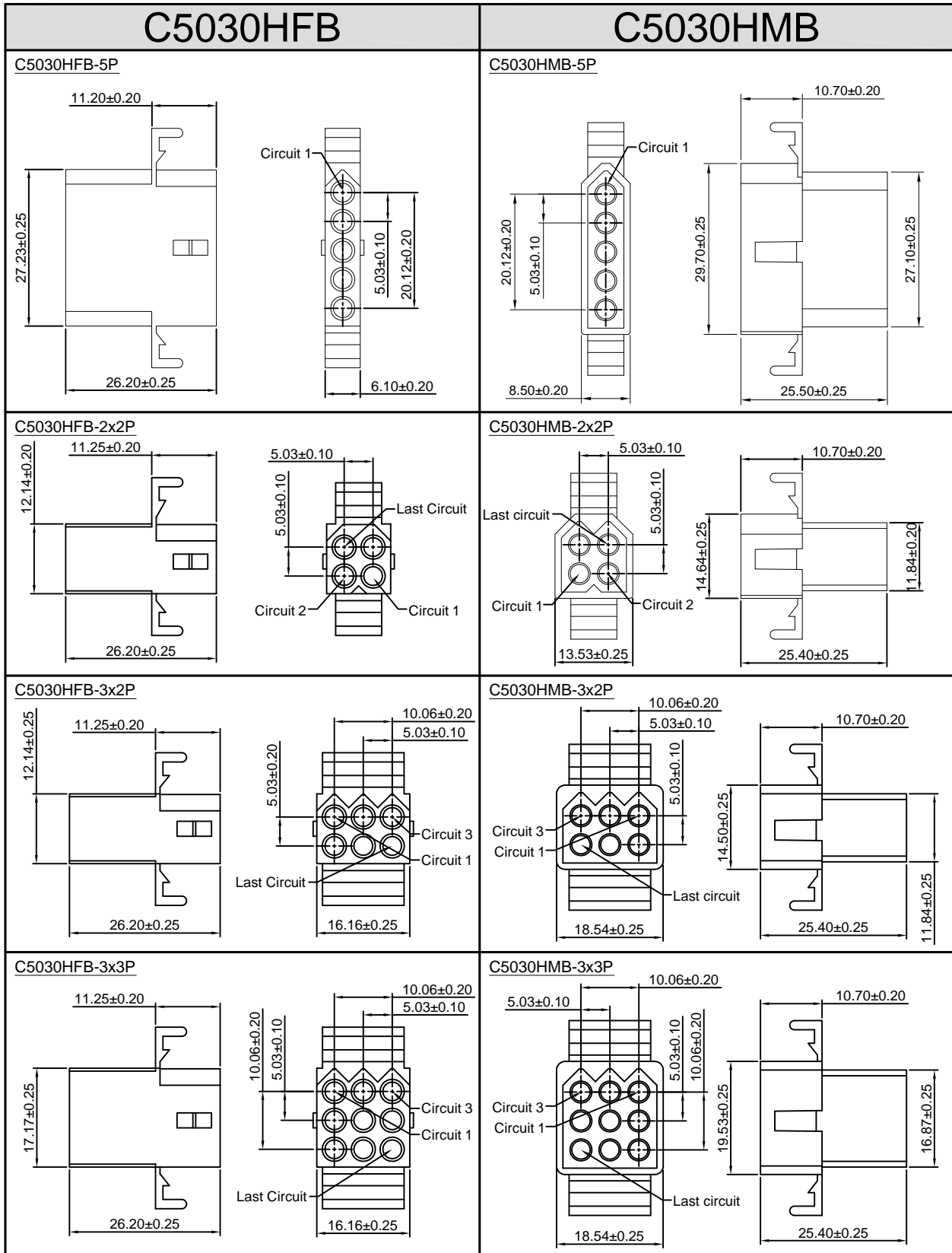
2. Material:

(blank): Nylon 66, UL94V-2/Natural

VQ: Nylon 66, UL94V-0/White

GWT: Nylon 66, UL94V-0, GWT 750°C

Unit: mm



C5030H

5.03mm Pitch Housing

Reference Informations:

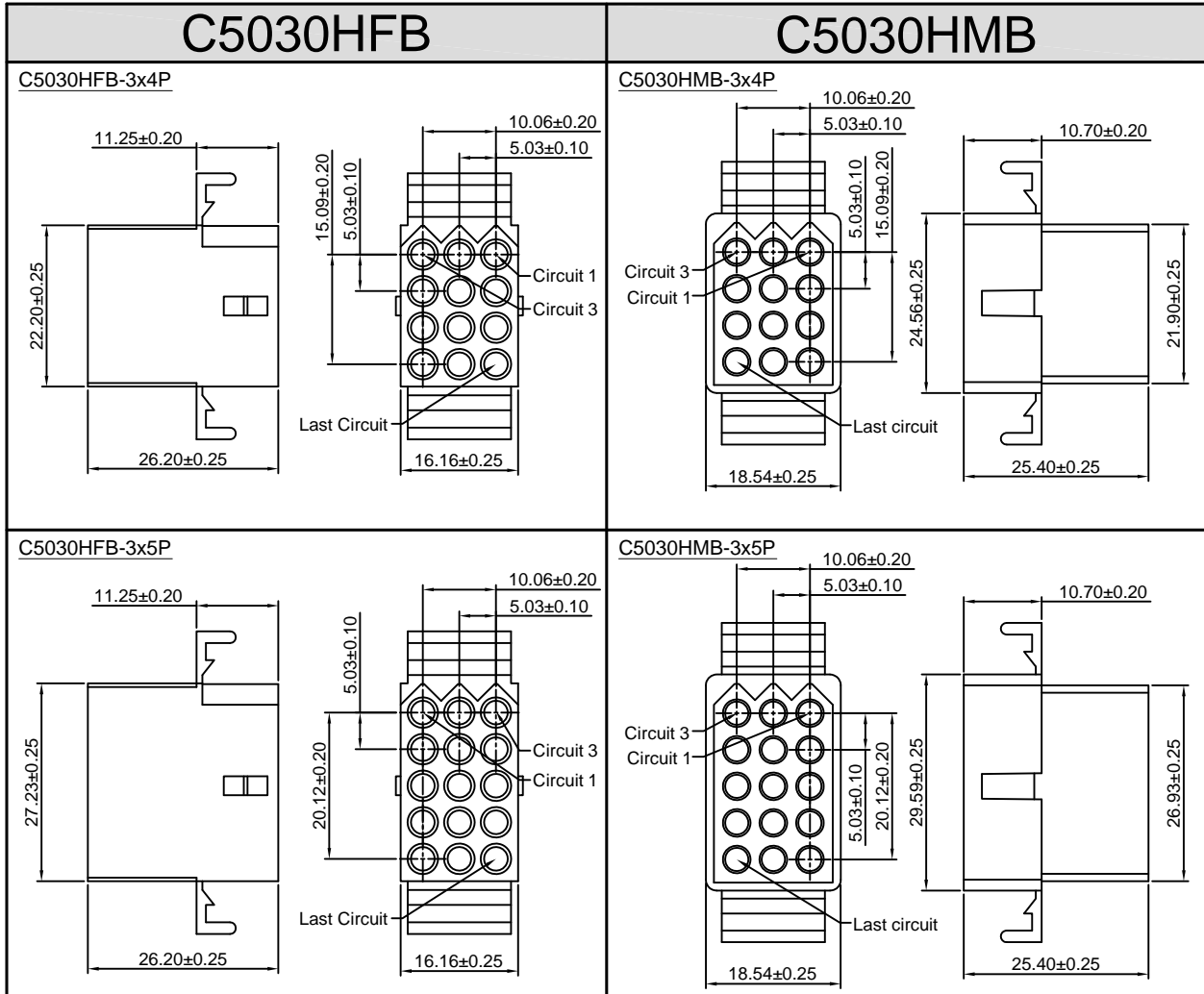
- *Material: Nylon 66, UL94V-2
- *C5030HMB (Suitable Terminal: C5030M(F)-T(-H))
- *C5030HFB (Suitable Terminal: C5030F(M)-T(-H))
- *Color: Natural

Ordering Information:

C5030HFB/HMB-3xXP - ***

1. Part No.
2. Material:
 (blank): Nylon 66, UL94V-2/Natural
 V0: Nylon 66, UL94V-0/White
 GWT: Nylon 66, UL94V-0, GWT 750°C

Unit: mm



C5030H

5.03mm Pitch Housing

Reference Informations:

- *Material: Nylon 66, UL94V-2
- *C5030HMC (Suitable Terminal: C5030M(F)-T(-H))
- *C5030HFC (Suitable Terminal: C5030F(M)-T(-H))
- *Color: Natural

Ordering Information:

C5030HFC/HMC-XP - ***
 1 2

- 1. Part No.
- 2. Material:

(blank): Nylon 66, UL94V-2/Natural
 V0: Nylon 66, UL94V-0/White
 GWT: Nylon 66, UL94V-0, GWT 750°C

Unit: mm

C5030HFC	C5030HMC
<p><u>C5030HFC-2P</u></p>	<p><u>C5030HMC-2P</u></p>
<p><u>C5030HFC-3P</u></p>	<p><u>C5030HMC-3P</u></p>
<p><u>C5030HFC-4P</u></p>	<p><u>C5030HMC-4P</u></p>
<p><u>C5030HFC-5P</u></p>	<p><u>C5030HMC-5P</u></p>

C5030H

5.03mm Pitch Housing

Reference Informations:

- *Material: Nylon 66, UL94V-2
- *C5030HMC (Suitable Terminal: C5030M(F)-T(-H))
- *C5030HFC (Suitable Terminal: C5030F(M)-T(-H))
- *Color: Natural

Ordering Information:

C5030HFC/HMC-2xXP - ***
1 2

1. Part No.

2. Material:

(blank): Nylon 66, UL94V-2/Natural

V0: Nylon 66, UL94V-0/White

GWT: Nylon 66, UL94V-0, GWT 750°C

C5030HFC		C5030HMC	
<p>C5030HFC-2x2P</p>			
<p>C5030HFC-3x2P</p>	<p>C5030HMC-3x2P</p>		
<p>C5030HFC-3x3P</p>	<p>C5030HMC-3x3P</p>		
<p>C5030HFC-3x4P</p>	<p>C5030HMC-3x4P</p>		

C5030H

5.03mm Pitch Housing

Reference Informations:

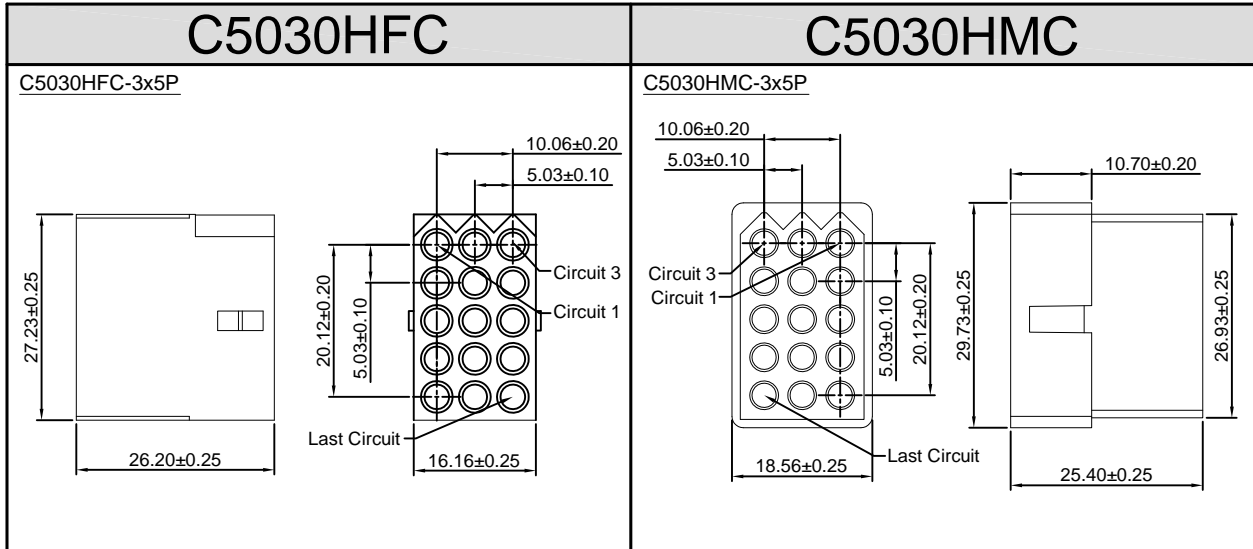
- *Material: Nylon 66, UL94V-2
- *C5030HMC (Suitable Terminal: C5030M(F)-T(-H))
- *C5030HFC (Suitable Terminal: C5030F(M)-T(-H))
- *Color: Natural

Ordering Information:

C5030HFC/HMC-3xXP - ***
1 2

1. Part No.
2. Material:
(blank): Nylon 66, UL94V-2/Natural
V0: Nylon 66, UL94V-0/White
GWT: Nylon 66, UL94V-0, GWT 750°C

Unit: mm



C5030WV-3x2P

5.03mm Pitch Triple Row Wafer

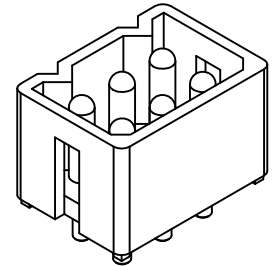
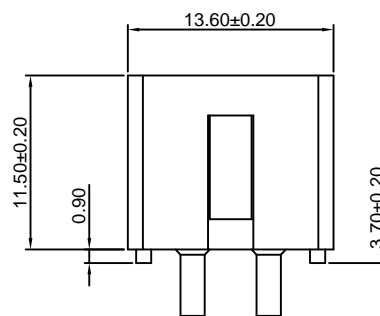
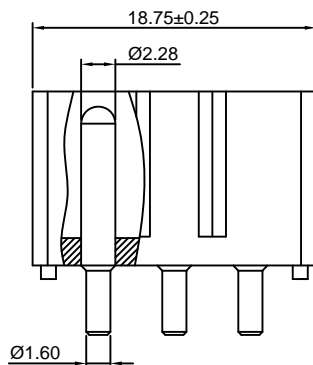
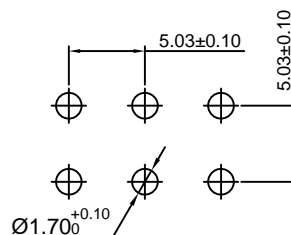
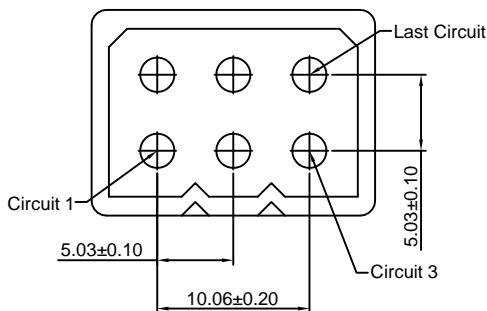
Reference Informations:

- *Material: Pin: Brass/Gold over Nickel
Insulator: Nylon 66, UL94V-2
- *Mates with CJT C5030HFB-3x2P, C5030HFC-3x2P Housing
- *Color: Natural

Ordering Information:

C5030WV-3x2P - ***
1 2

1. Part No.
2. Material:
(blank): Nylon 66, UL94V-2/Natural
V0: Nylon 66, UL94V-0/White
GWT: Nylon 66, UL94V-0, GWT 750°C



Unit: mm