

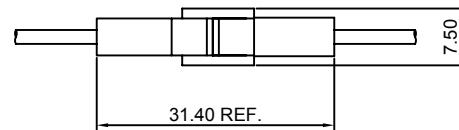
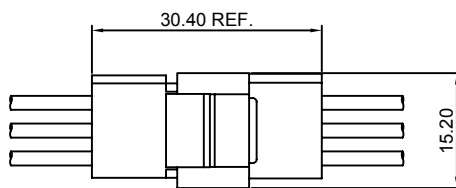
Specifications

- Current rating:5A AC,DC
- Voltage rating:250V AC,DC
- Temperature range:-40°C~+105°C
- Contact resistance:10mΩ Max.
- Insulation resistance:1000MΩ Min.
- Withstanding voltage:1500V AC/minute
- *Compliant with RoHS and REACH*
- *Meet the HF/Halogen Free,GWT/Glow wire Test (IEC60335-1) request,need to customize*
- *Contact CJT for details*

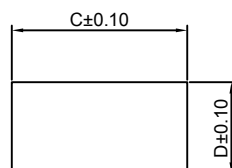
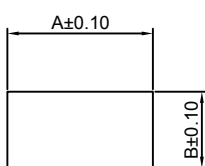
Standards



Assembly layout



Panel hole layout



PART NO.	Dimensions	
	A	B
C1581HFB-2P	12.83	6.73
C1581HFB-3P	16.51	6.73
C1581HFB-4P	19.94	6.60
C1581HFB-2x2P	12.85	10.16
C1581HFB-2x3P	12.83	14.02
C1581HFB-3x3P	16.51	14.02
C1581HFB-3x4P	20.19	14.30
C1581HFB-3x5P	23.62	14.45

PART NO.	Dimensions	
	C	D
C1581HMB-2P	15.47	8.08
C1581HMB-3P	19.15	8.08
C1581HMB-4P	21.97	7.92
C1581HMB-2x2P	15.62	11.81
C1581HMB-2x3P	15.42	15.62
C1581HMB-3x3P	19.10	15.62
C1581HMB-3x4P	22.94	15.60
C1581HMB-3x5P	26.21	15.75

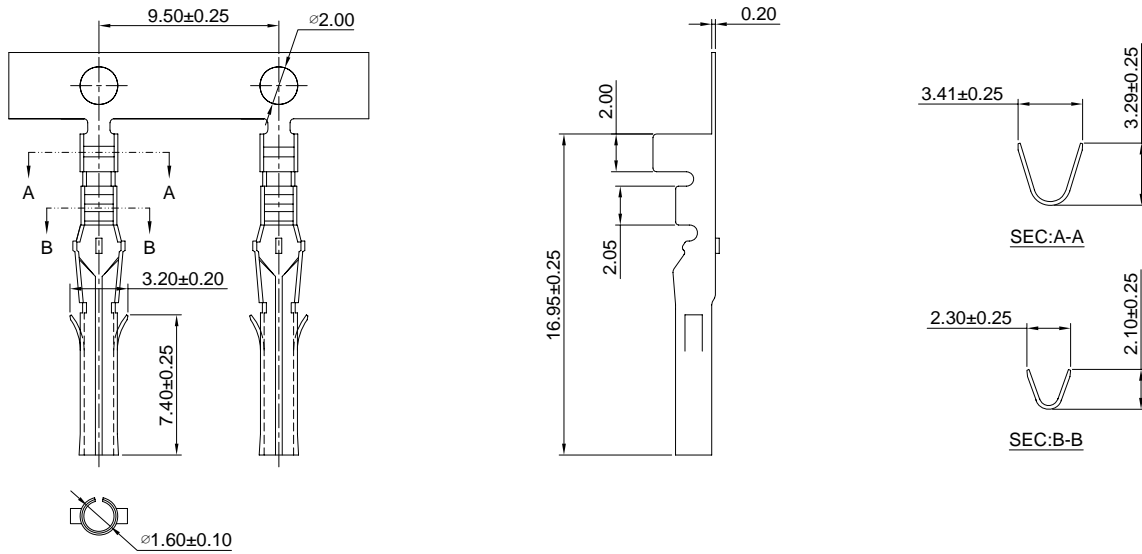
Unit:mm

C1581F-T

3.68mm pitch Crimp Terminal

Reference Informations:

*Used in CJT C1581HFB,C1581HFC series Housing



Ordering information & Specifications:

Unit:mm

Part NO.	Wire Range	Insulation O.D.	Material	Finish	Qty/reel
C1581F-TB	AWG#20-#24	1.85mm(max)	Brass	Tin over Nickel	8,000 PCS
C1581F-TP	AWG#20-#24	1.85mm(max)	Phosphor Bronze	Tin over Nickel	8,000 PCS
C1581F-GB	AWG#20-#24	1.85mm(max)	Brass	Gold over Nickel	8,000 PCS
C1581F-GP	AWG#20-#24	1.85mm(max)	Phosphor Bronze	Gold over Nickel	8,000 PCS

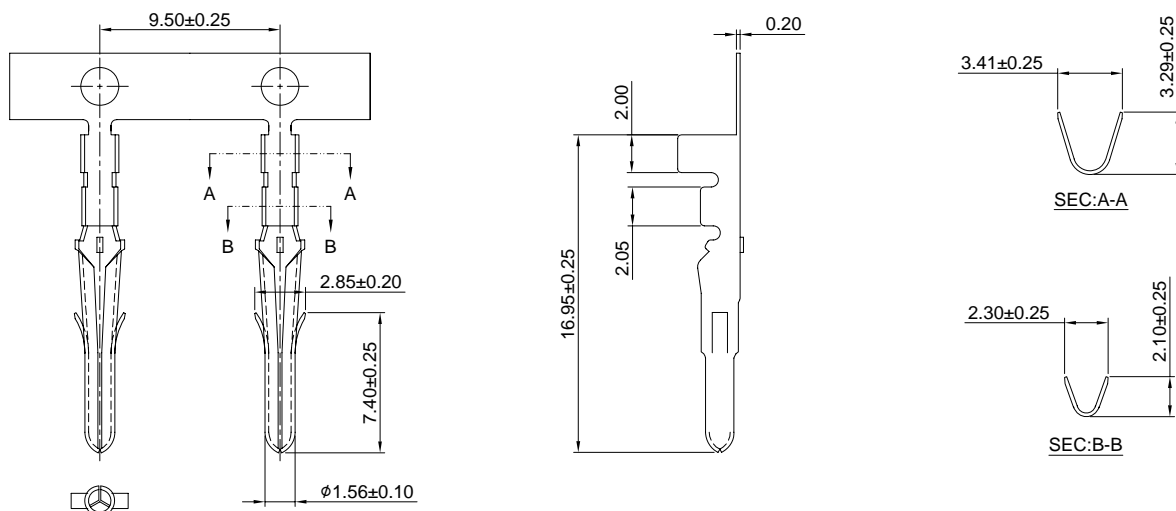
Optional Gold plating available but MOQ requested

C1581M-T

3.68mm pitch Crimp Terminal

Reference Informations:

*Used in CJT C1581HMB,C1581HMC series Housing



Ordering information & Specifications:

Unit:mm

Part NO.	Wire Range	Insulation O.D.	Material	Finish	Qty/reel
C1581M-TB	AWG#20-#24	1.85mm(max)	Brass	Tin over Nickel	8,000 PCS
C1581M-TP	AWG#20-#24	1.85mm(max)	Phosphor Bronze	Tin over Nickel	8,000 PCS
C1581M-GB	AWG#20-#24	1.85mm(max)	Brass	Gold over Nickel	8,000 PCS
C1581M-GP	AWG#20-#24	1.85mm(max)	Phosphor Bronze	Gold over Nickel	8,000 PCS

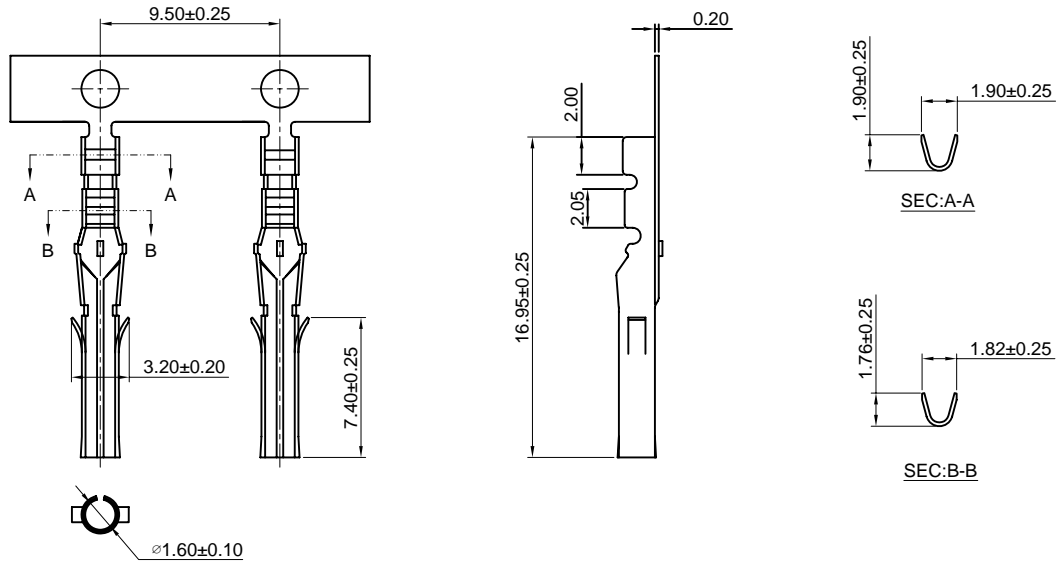
Optional Gold plating available but MOQ requested

C1581F-T-L

3.68mm pitch Crimp Terminal

Reference Informations:

*Used in CJT C1581HFB,C1581HFC series Housing



Ordering information & Specifications:

Unit:mm

Part NO.	Wire Range	Insulation O.D.	Material	Finish	Qty/reel
C1581F-TB-L	AWG#24-#30	1.57mm(max)	Brass	Tin over Nickel	8,000 PCS
C1581F-TP-L	AWG#24-#30	1.57mm(max)	Phosphor Bronze	Tin over Nickel	8,000 PCS
C1581F-GB-L	AWG#24-#30	1.57mm(max)	Brass	Gold over Nickel	8,000 PCS
C1581F-GP-L	AWG#24-#30	1.57mm(max)	Phosphor Bronze	Gold over Nickel	8,000 PCS

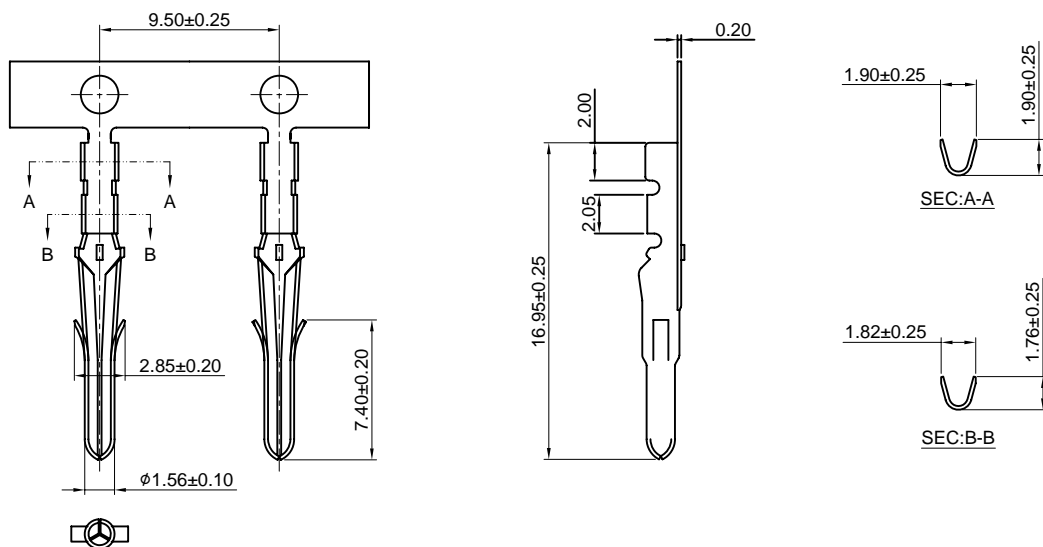
Optional Gold plating available but MOQ requested

C1581M-T-L

3.68mm pitch Crimp Terminal

Reference Informations:

*Used in CJT C1581HMB,C1581HMC series Housing



Ordering information & Specifications:

Unit:mm

Part NO.	Wire Range	Insulation O.D.	Material	Finish	Qty/reel
C1581M-TB-L	AWG#24-#30	1.57mm(max)	Brass	Tin over Nickel	8,000 PCS
C1581M-TP-L	AWG#24-#30	1.57mm(max)	Phosphor Bronze	Tin over Nickel	8,000 PCS
C1581M-GB-L	AWG#24-#30	1.57mm(max)	Brass	Gold over Nickel	8,000 PCS
C1581M-GP-L	AWG#24-#30	1.57mm(max)	Phosphor Bronze	Gold over Nickel	8,000 PCS

Optional Gold plating available but MOQ requested

C1581H

3.68mm Pitch Housing

Reference Informations:

- *Material:Nylon 66,UL94V-2
- *C1581HMB(Suitable Terminal:C1581M-T(-L))
- *C1581HFB(Suitable Terminal:C1581F-T(-L))
- *Color:Natural

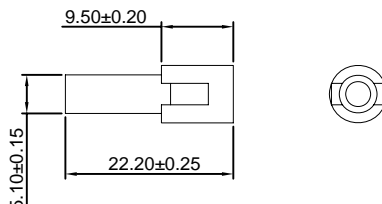
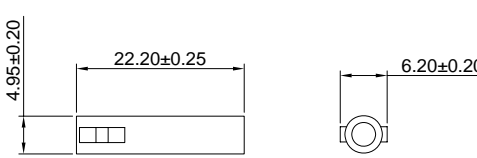
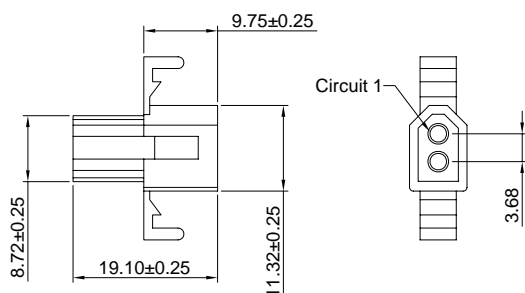
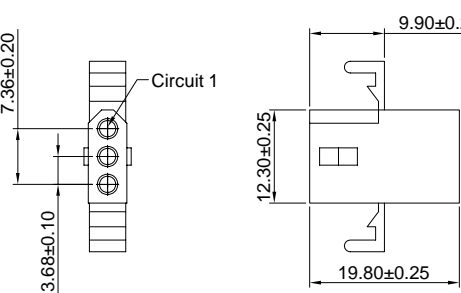
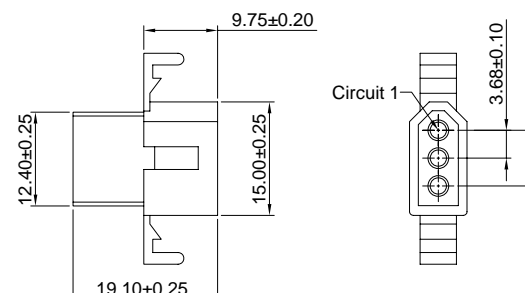
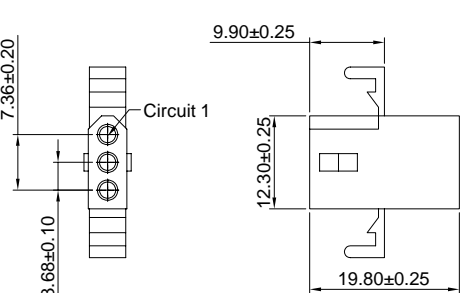
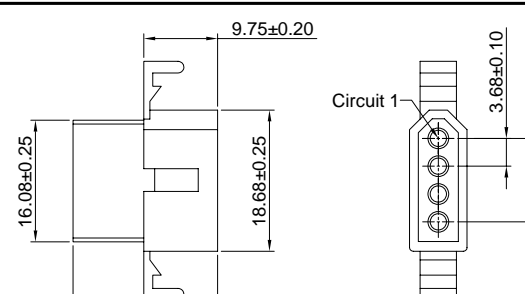
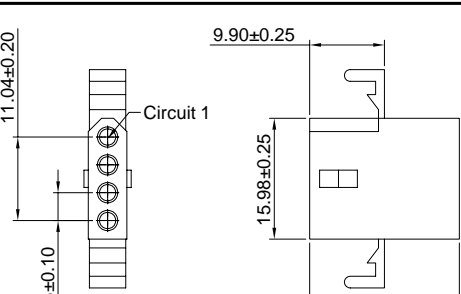
Ordering Information:

- C1581HMB-XP - ***
 1 2
- 1.Part No.
 2.Material:
 (blank):Nylon 66,UL94V-2/Natural
 V0:Nylon 66,UL94V-0/White
 GWT:Nylon 66,UL94V-0,GWT 750°C

Ordering Information:

- C1581HFB-XP - ***
 1 2
- 1.Part No.
 2.Material:
 (blank):Nylon 66,UL94V-2/Natural
 V0:Nylon 66,UL94V-0/White
 GWT:Nylon 66,UL94V-0,GWT 750°C

Unit: mm

C1581HMB	C1581HFB
 <p><u>C1581HM-1P</u></p>	 <p><u>C1581HF-1P</u></p>
 <p><u>C1581HMB-2P</u></p>	 <p><u>C1581HFB-2P</u></p>
 <p><u>C1581HMB-3P</u></p>	 <p><u>C1581HFB-3P</u></p>
 <p><u>C1581HMB-4P</u></p>	 <p><u>C1581HFB-4P</u></p>

C1581H

3.68mm Pitch Housing

Reference Informations:

- *Material:Nylon 66,UL94V-2
- *C1581HMB(Suitable Terminal:C1581M-T(-L))
- *C1581HFB(Suitable Terminal:C1581F-T(-L))
- *Color:Natural

Ordering Information:

C1581HMB-2xXP - ***
1 2

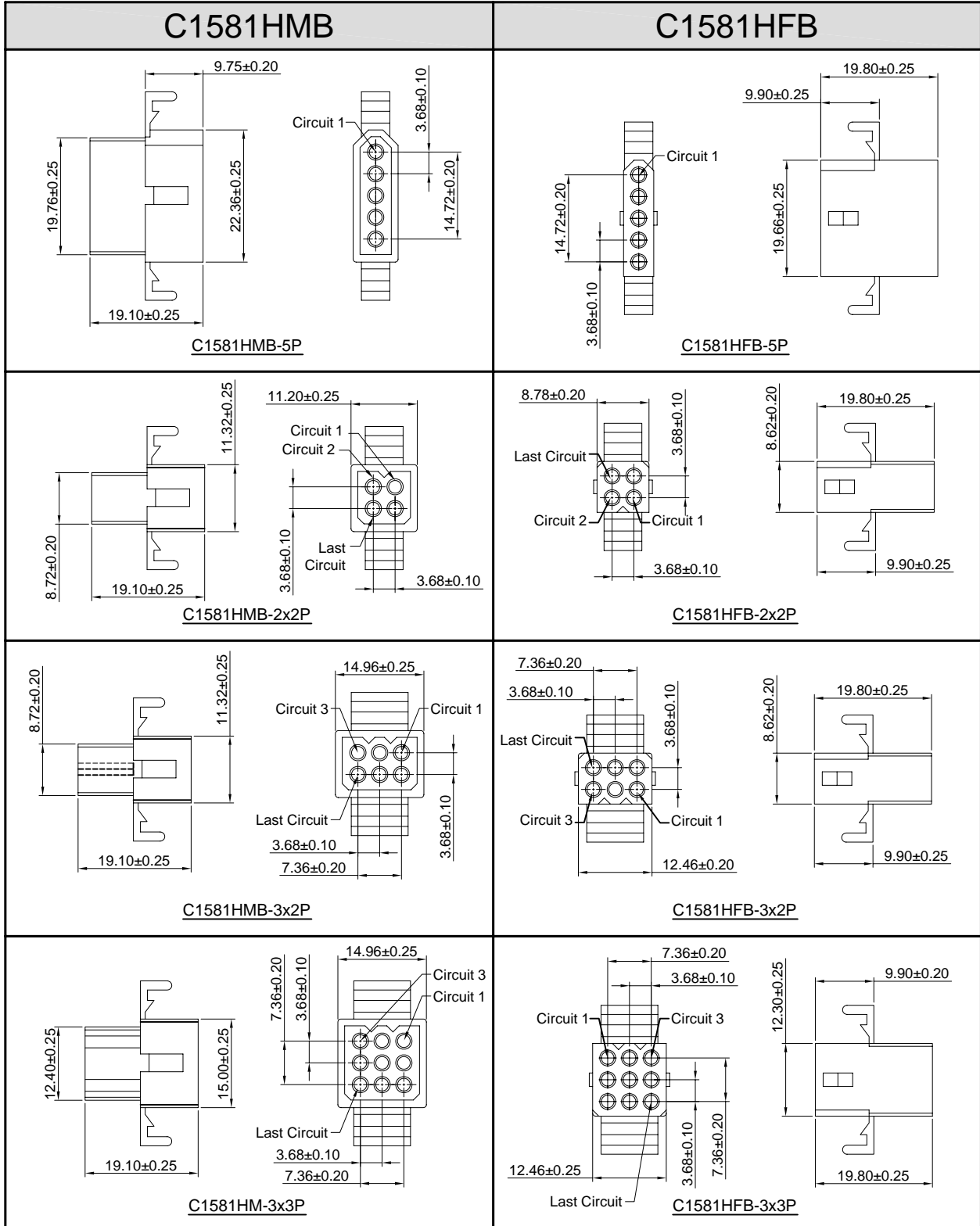
- 1.Part No.
- 2.Material:
(blank):Nylon 66,UL94V-2/Natural
V0:Nylon 66,UL94V-0/White
GWT:Nylon 66,UL94V-0,GWT 750°C

Ordering Information:

C1581HFB-2xXP - ***
1 2

- 1.Part No.
- 2.Material:
(blank):Nylon 66,UL94V-2/Natural
V0:Nylon 66,UL94V-0/White
GWT:Nylon 66,UL94V-0,GWT 750°C

Unit: mm



C1581H

3.68mm Pitch Housing

Reference Informations:

- *Material: Nylon 66, UL94V-2
- *C1581HMB (Suitable Terminal: C1581M-T(-L))
- *C1581HFB (Suitable Terminal: C1581F-T(-L))
- *Color: Natural

Ordering Information:

C1581HMB-3xXP - ***
 1 2

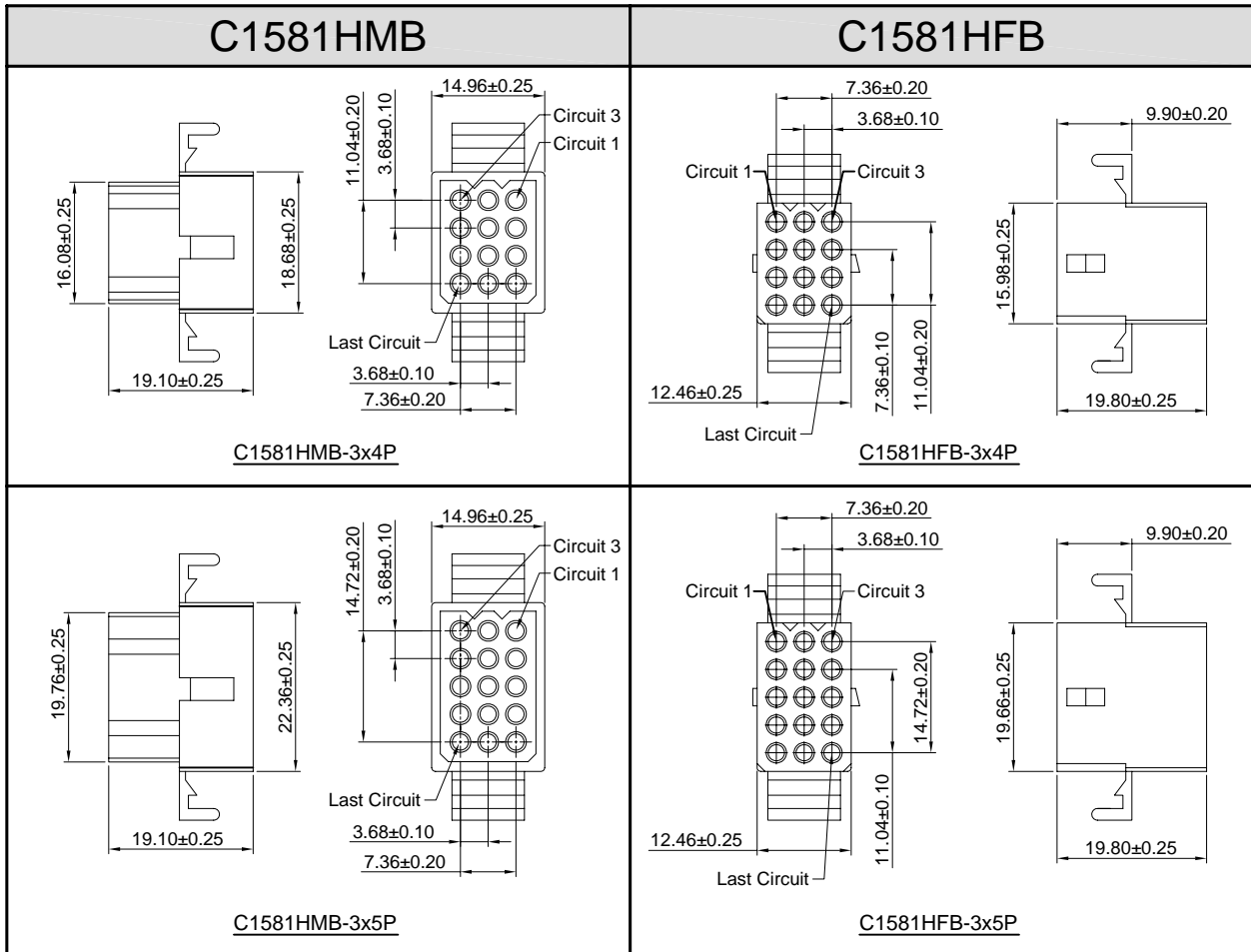
1. Part No.
2. Material:
 (blank): Nylon 66, UL94V-2/Natural
 V0: Nylon 66, UL94V-0/White
 GWT: Nylon 66, UL94V-0, GWT 750°C

Ordering Information:

C1581HFB-3xXP - ***
 1 2

1. Part No.
2. Material:
 (blank): Nylon 66, UL94V-2/Natural
 V0: Nylon 66, UL94V-0/White
 GWT: Nylon 66, UL94V-0, GWT 750°C

Unit: mm



C1581H

3.68mm Pitch Housing

Reference Informations:

- *Material:Nylon 66,UL94V-2
- *C1581HMC(Suitable Terminal:C1581M-T(-L))
- *C1581HFC(Suitable Terminal:C1581F-T(-L))
- *Color:Natural

Ordering Information:

C1581HMC-XP - ***
1 2

- 1.Part No.
- 2.Material:
(blank):Nylon 66,UL94V-2/Natural
V0:Nylon 66,UL94V-0/White
GWT:Nylon 66,UL94V-0,GWT 750°C

Ordering Information:

C1581HFC-XP - ***
1 2

- 1.Part No.
- 2.Material:
(blank):Nylon 66,UL94V-2/Natural
V0:Nylon 66,UL94V-0/White
GWT:Nylon 66,UL94V-0,GWT 750°C

Unit: mm

C1581HMC	C1581HFC
<p style="text-align: center;"><u>C1581HMC-2P</u></p>	<p style="text-align: center;"><u>C1581HFC-2P</u></p>
<p style="text-align: center;"><u>C1581HMC-3P</u></p>	<p style="text-align: center;"><u>C1581HFC-3P</u></p>
<p style="text-align: center;"><u>C1581HMC-4P</u></p>	<p style="text-align: center;"><u>C1581HFC-4P</u></p>
<p style="text-align: center;"><u>C1581HMC-5P</u></p>	<p style="text-align: center;"><u>C1581HFC-5P</u></p>

C1581H

3.68mm Pitch Housing

Reference Informations:

- *Material:Nylon 66,UL94V-2
- *C1581HMC(Suitable Terminal:C1581M-T(-L))
- *C1581HFC(Suitable Terminal:C1581F-T(-L))
- *Color:Natural

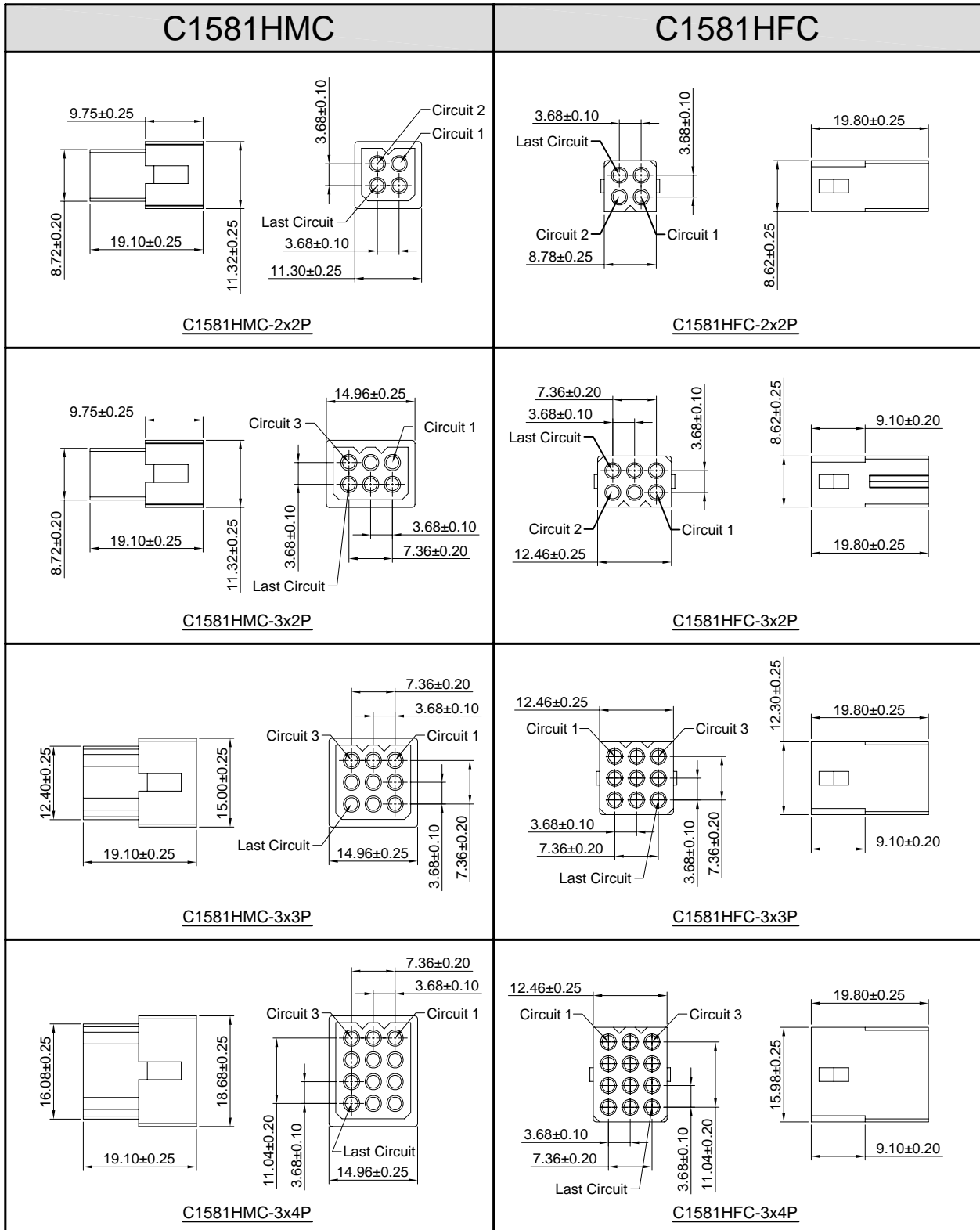
Ordering Information:

- C1581HMC-2xXP - ***
 1 2
 1.Part No.
 2.Material:
 (blank):Nylon 66,UL94V-2/Natural
 V0:Nylon 66,UL94V-0/White
 GWT:Nylon 66,UL94V-0,GWT 750°C

Ordering Information:

- C1581HFC-2xXP - ***
 1 2
 1.Part No.
 2.Material:
 (blank):Nylon 66,UL94V-2/Natural
 V0:Nylon 66,UL94V-0/White
 GWT:Nylon 66,UL94V-0,GWT 750°C

Unit: mm



C1581H

3.68mm Pitch Housing

Reference Informations:

*Material:Nylon 66,UL94V-2

*C1581HMC(Suitable Terminal:C1581M-T(-L))

*C1581HFC(Suitable Terminal:C1581F-T(-L))

*Color:Natural

Ordering Information:

C1581HMC-3xXP - ***
1 2

- 1.Part No.
- 2.Material:
(blank):Nylon 66,UL94V-2/Natural
V0:Nylon 66,UL94V-0/White
GWT:Nylon 66,UL94V-0,GWT 750°C

Ordering Information:

C1581HFC-3xXP - ***
1 2

- 1.Part No.
- 2.Material:
(blank):Nylon 66,UL94V-2/Natural
V0:Nylon 66,UL94V-0/White
GWT:Nylon 66,UL94V-0,GWT 750°C

Unit: mm

