

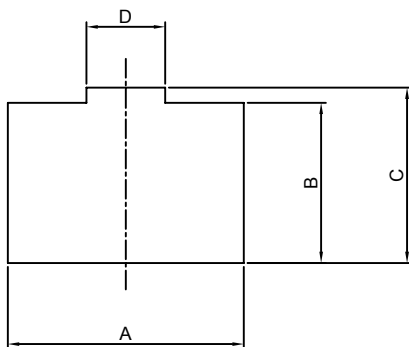
Specifications

- Current rating:10A AC,DC
- Voltage rating:300V AC,DC
- Temperature range:-40°C~+105°C
- Contact resistance:7mΩ Max.
- Insulation resistance:1000MΩ Min.
- Withstanding voltage:1500V AC/minute
- *Compliant with RoHS and REACH*
- *Meet the HF/Halogen Free,GWT/Glow wire Test (IEC60335-1) request,need to customize*
- *Contact CJT for details*

Standards



Panel hole layout



PART NO.	Dimensions			
	A	B	C	D
C1301(A)HM-2P	15.00	6.00	6.85	5.20
C1301(A)HM-3P	19.70	6.00	6.85	5.20
C1301(A)HM-4P	24.20	6.00	6.85	5.20
C1301(A)HM-2x2P	15.60	10.60	11.60	5.20
C1301(A)HM-2x3P	19.70	10.60	11.60	5.20
C1301(A)HM-3x3P	19.70	14.80	15.70	5.20
C1301(A)HM-3x4P	24.20	14.80	15.70	5.20
C1301(A)HM-3x5P	28.70	14.80	15.70	5.20

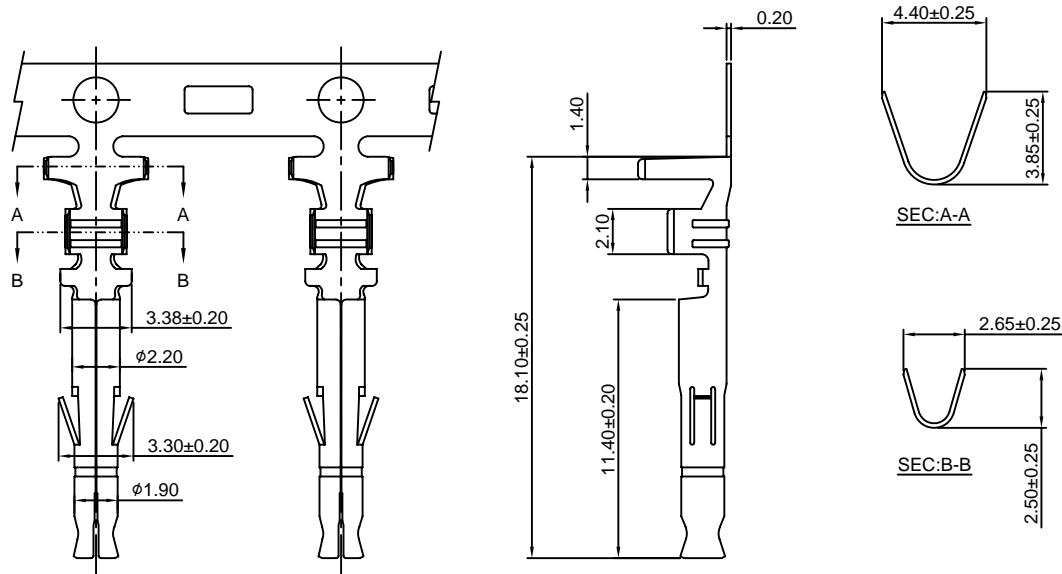
Unit:mm

C1301F-T

4.50mm pitch Crimp Terminal

Reference Informations:

*Used in CJT C1301HF series Housing



Ordering information & Specifications:

Unit:mm

Part NO.	Wire Range	Insulation O.D.	Material	Finish	Qty/reel
C1301F-TB	AWG#16-#20	3.40mm(max)	Brass	Tin over Nickel	3,500 PCS
C1301F-TP	AWG#16-#20	3.40mm(max)	Phosphor Bronze	Tin over Nickel	3,500 PCS
C1301F-GB	AWG#16-#20	3.40mm(max)	Brass	Gold over Nickel	3,500 PCS
C1301F-GP	AWG#16-#20	3.40mm(max)	Phosphor Bronze	Gold over Nickel	3,500 PCS

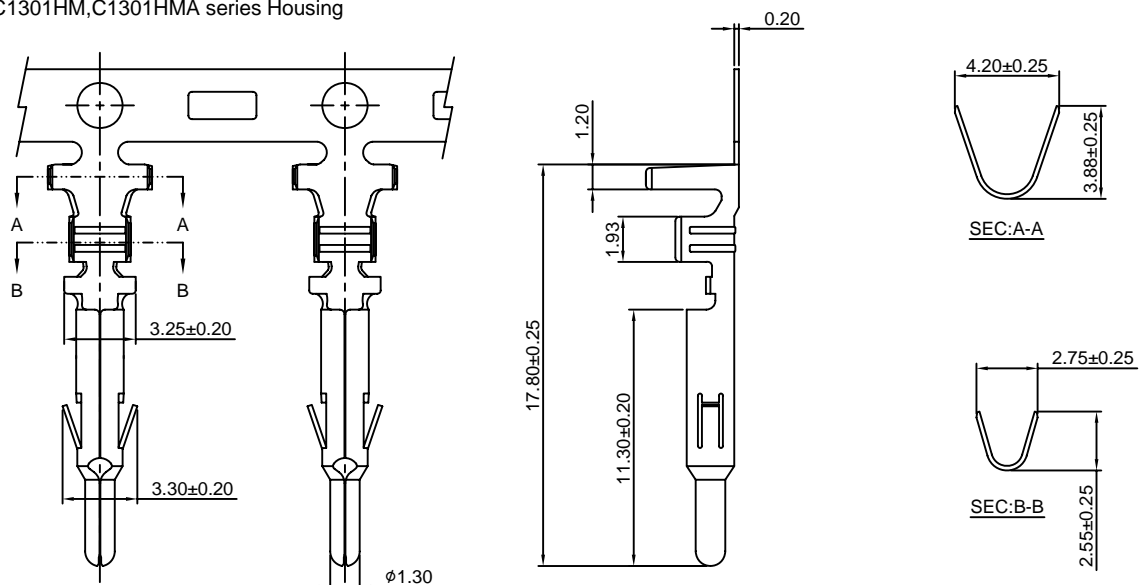
Optional Gold plating available but MOQ requested

C1301M-T

4.50mm pitch Crimp Terminal

Reference Informations:

*Used in CJT C1301HM,C1301HMA series Housing



Ordering information & Specifications:

Unit:mm

Part NO.	Wire Range	Insulation O.D.	Material	Finish	Qty/reel
C1301M-TB	AWG#16-#20	3.40mm(max)	Brass	Tin over Nickel	3,500 PCS
C1301M-TP	AWG#16-#20	3.40mm(max)	Phosphor Bronze	Tin over Nickel	3,500 PCS
C1301M-GB	AWG#16-#20	3.40mm(max)	Brass	Gold over Nickel	3,500 PCS
C1301M-GP	AWG#16-#20	3.40mm(max)	Phosphor Bronze	Gold over Nickel	3,500 PCS

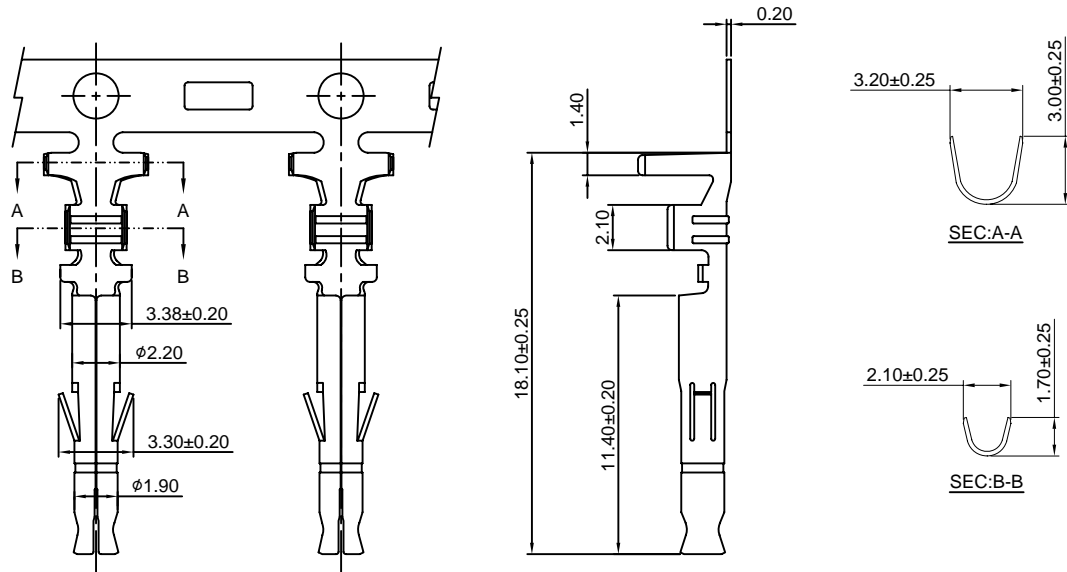
Optional Gold plating available but MOQ requested

C1301F-T-L

4.50mm pitch Crimp Terminal

Reference Informations:

*Used in CJT C1301HF series Housing



Ordering information & Specifications:

Unit:mm

Part NO.	Wire Range	Insulation O.D.	Material	Finish	Qty/reel
C1301F-TB-L	AWG#24-#28	1.80mm(max)	Brass	Tin over Nickel	3,500 PCS
C1301F-TP-L	AWG#24-#28	1.80mm(max)	Phosphor Bronze	Tin over Nickel	3,500 PCS
C1301F-GB-L	AWG#24-#28	1.80mm(max)	Brass	Gold over Nickel	3,500 PCS
C1301F-GP-L	AWG#24-#28	1.80mm(max)	Phosphor Bronze	Gold over Nickel	3,500 PCS

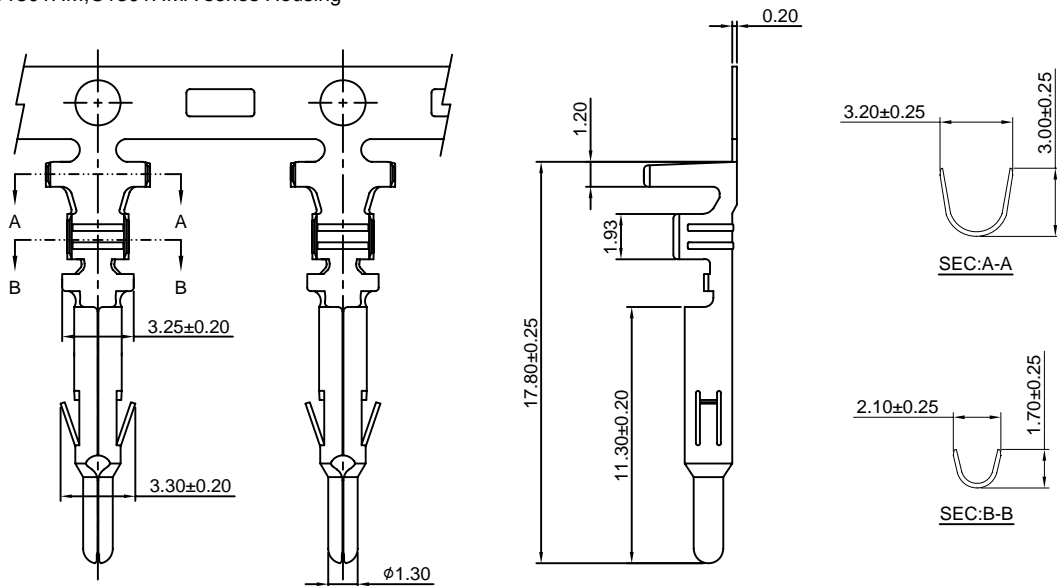
Optional Gold plating available but MOQ requested

C1301M-T-L

4.50mm pitch Crimp Terminal

Reference Informations:

*Used in CJT C1301HM,C1301HMA series Housing



Ordering information & Specifications:

Unit:mm

Part NO.	Wire Range	Insulation O.D.	Material	Finish	Qty/reel
C1301M-TB-L	AWG#24-#28	1.80mm(max)	Brass	Tin over Nickel	3,500 PCS
C1301M-TP-L	AWG#24-#28	1.80mm(max)	Phosphor Bronze	Tin over Nickel	3,500 PCS
C1301M-GB-L	AWG#24-#28	1.80mm(max)	Brass	Gold over Nickel	3,500 PCS
C1301M-GP-L	AWG#24-#28	1.80mm(max)	Phosphor Bronze	Gold over Nickel	3,500 PCS

Optional Gold plating available but MOQ requested

C1301H

4.50mm Pitch Housing

Reference Informations:

- *Material: Nylon 66, UL94V-0
- *C1301HM (Suitable Terminal: C1301M-T(-L))
- *C1301HF (Suitable Terminal: C1301F-T(-L))
- *Color: White

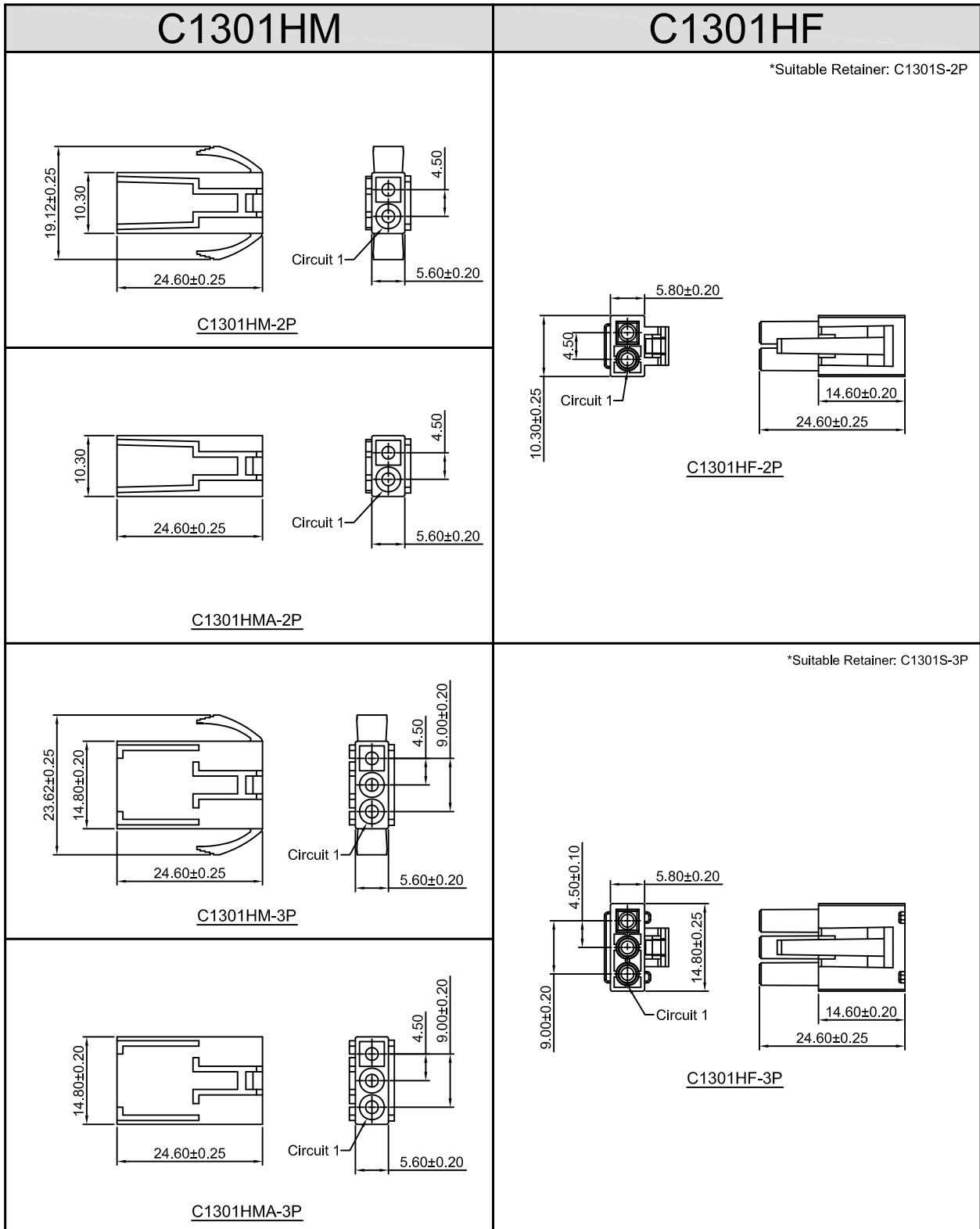
Ordering Information:

- C1301HF-XP - ***
 $\frac{1}{2}$
 1. Part No.
 2. Material:
 (blank): Nylon 66, UL94V-0
 V2: Nylon 66, UL94V-2
 GWT: Nylon 66, UL94V-0, GWT 750°C

Ordering Information:

- C1301HM<HMA>-XP - ***
 $\frac{1}{2}$
 1. Part No.
 2. Material:
 (blank): Nylon 66, UL94V-0
 V2: Nylon 66, UL94V-2
 GWT: Nylon 66, UL94V-0, GWT 750°C

Unit: mm



C1301H

4.50mm Pitch Housing

Reference Informations:

*Material: Nylon 66, UL94V-0

C1301HM (Suitable Terminal: C1301M-T(-L))

C1301HF (Suitable Terminal: C1301F-T(-L))

*Color: White

Ordering Information:

C1301HF-2xXP - ***
1 2

1. Part No.

2. Material:

(blank): Nylon 66, UL94V-0

V2: Nylon 66, UL94V-2

GWT: Nylon 66, UL94V-0, GWT 750°C

Ordering Information:

C1301HM<HMA>-2xXP - ***
1 2

1. Part No.

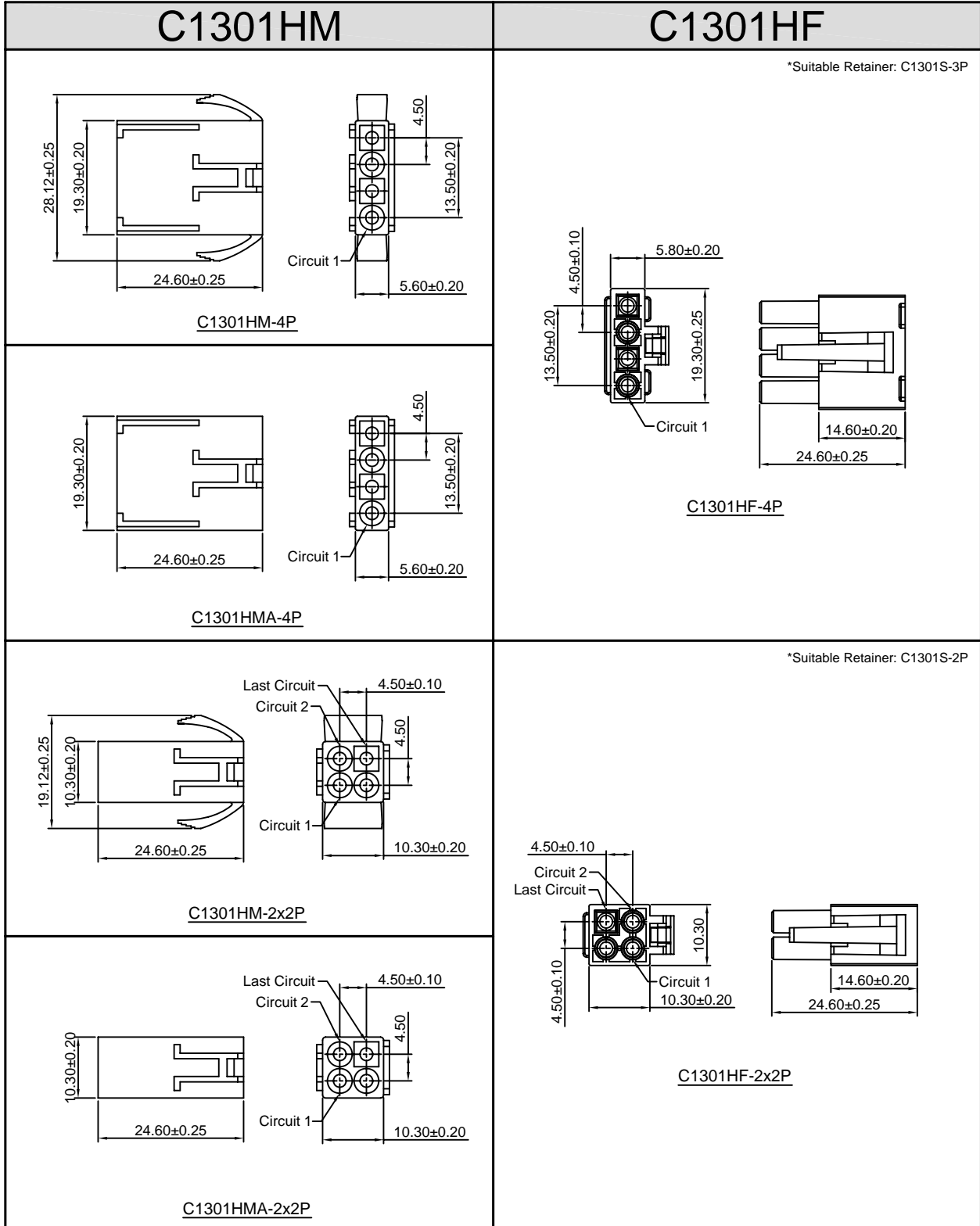
2. Material:

(blank): Nylon 66, UL94V-0

V2: Nylon 66, UL94V-2

GWT: Nylon 66, UL94V-0, GWT 750°C

Unit: mm



C1301H

4.50mm Pitch Housing

Reference Informations:

*Material:Nylon 66,UL94V-0

C1301HM(Suitable Terminal: C1301M-T(-L))

C1301HF(Suitable Terminal: C1301F-T(-L))

*Color:White

Ordering Information:

C1301HF-3xXP - ***
1 2

1.Part No.

2.Material:

(blank):Nylon 66,UL94V-0

V2:Nylon 66,UL94V-2

GWT:Nylon 66,UL94V-0,GWT 750°C

Ordering Information:

C1301HM<HMA>-3xXP - ***
1 2

1.Part No.

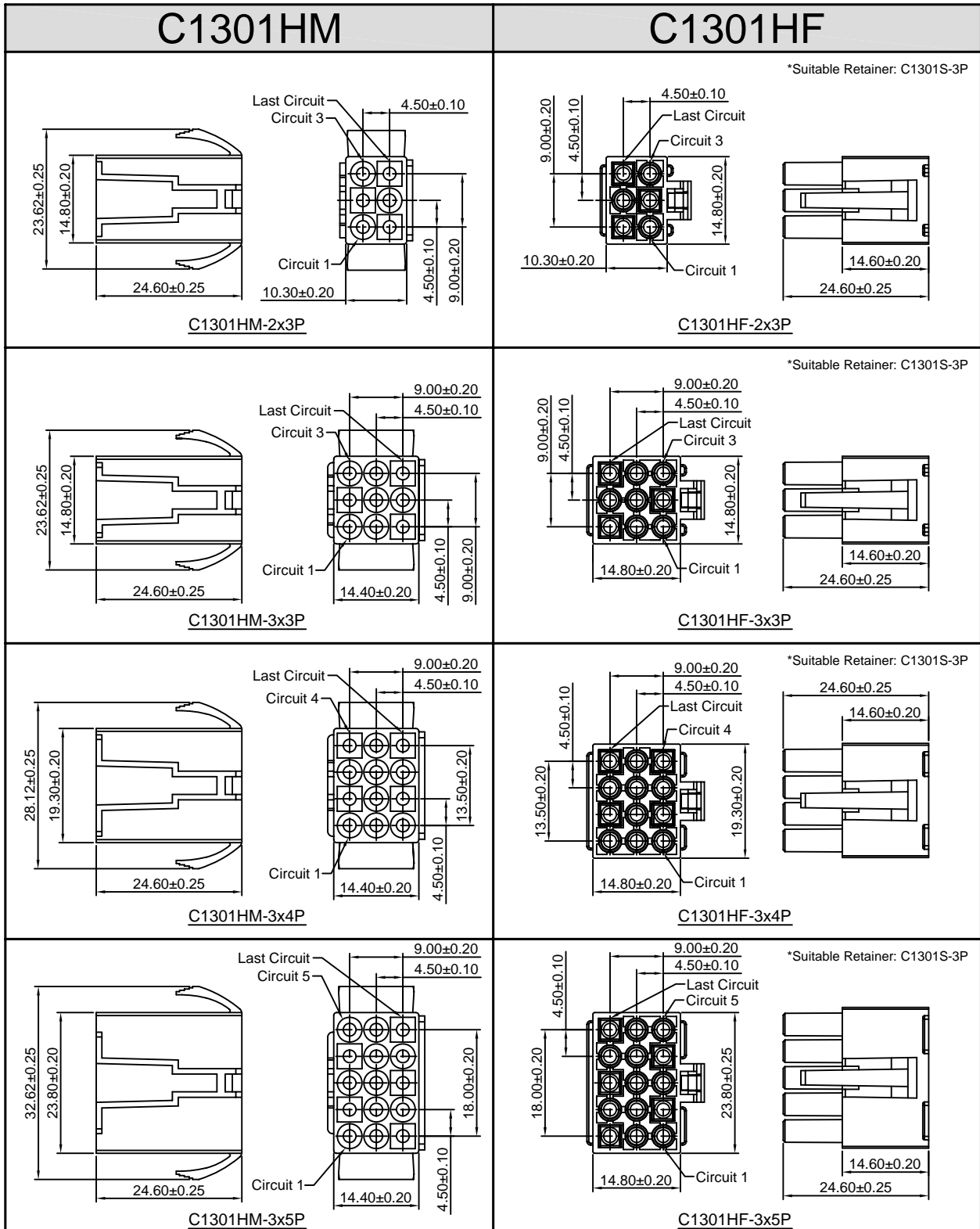
2.Material:

(blank):Nylon 66,UL94V-0

V2:Nylon 66,UL94V-2

GWT:Nylon 66,UL94V-0,GWT 750°C

Unit: mm

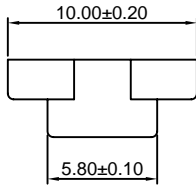
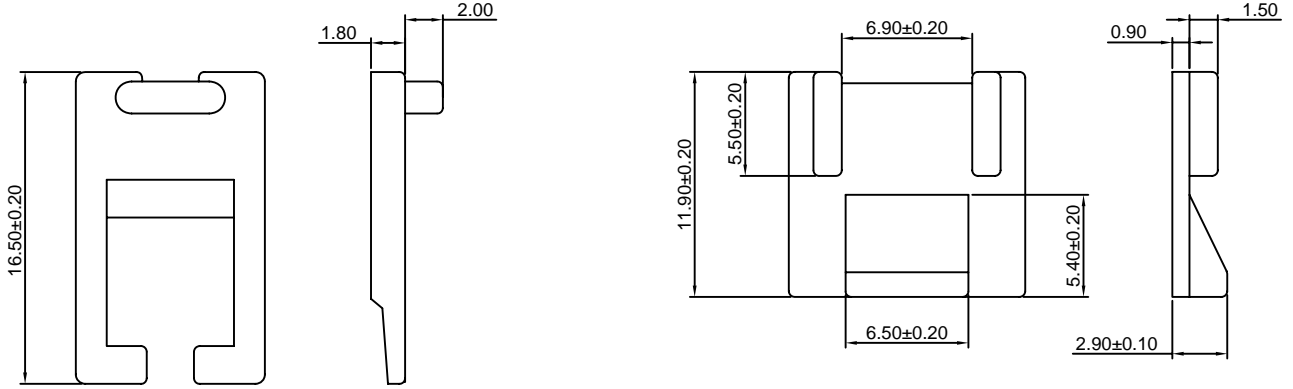


C1301S-XP

4.50mm pitch Retainer

Reference Informations:

- *Material: Nylon 66, UL94V-2
- *Used in CJT C1301HF Series Housing
- *Color: Black

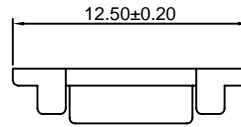


C1301S-2P

Ordering Information:

C1301S-XP - ***
 1 2

- 1. Part No.
- 2. Material:
(blank): Nylon 66, UL94V-2
V0: Nylon 66, UL94V-0
GWT: Nylon 66, UL94V-0, GWT 750°C



C1301S-3P

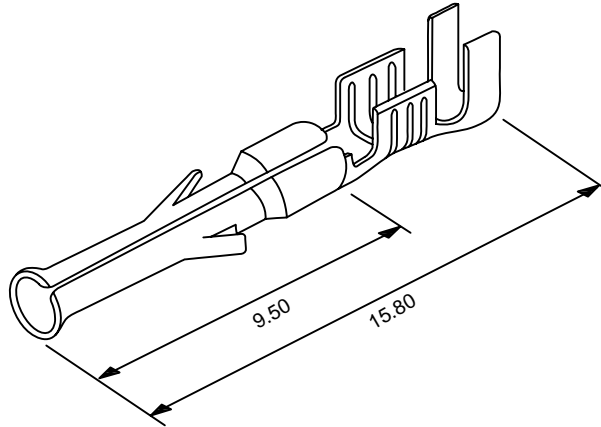
Unit: mm

C1301AF-T

4.50mm pitch Crimp Terminal

Reference Informations:

*Used in CJT C1301AHF series Housing



Ordering information & Specifications:

Unit:mm

Part NO	Wire Range	Insulation O.D.	Material	Finish	Qty/reel
C1301AF-TB	AWG#16-#20	3.40mm(max)	Brass	Tin over Nickel	3,500 PCS
C1301AF-GB	AWG#16-#20	3.40mm(max)	Brass	Gold over Nickel	3,500 PCS

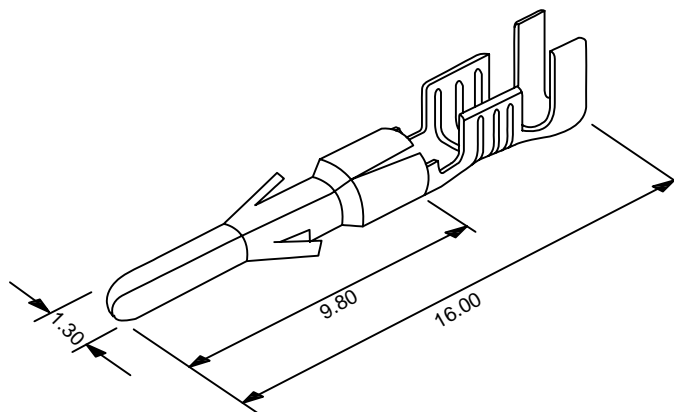
Optional Gold plating available but MOQ requested

C1301AM-T

4.50mm pitch Crimp Terminal

Reference Informations:

*Used in CJT C1301AHM,C1301AHMA series Housing



Ordering information & Specifications:

Unit:mm

Part NO	Wire Range	Insulation O.D.	Material	Finish	Qty/reel
C1301AM-TB	AWG#16-#20	3.40mm(max)	Brass	Tin over Nickel	3,500 PCS
C1301AM-GB	AWG#16-#20	3.40mm(max)	Brass	Gold over Nickel	3,500 PCS

Optional Gold plating available but MOQ requested

C1301H

4.50mm Pitch Housing

Reference Informations:

*Material:Nylon 66,UL94V-2

C1301AHM(Suitable Terminal: C1301AM-T)

C1301AHF(Suitable Terminal: C1301AF-T)

*Color:Light green

Ordering Information:

C1301AHF-XP - ***
1 2

1.Part No.

2.Material:

(blank):Nylon 66,UL94V-2

V0:Nylon 66,UL94V-0

GWT:Nylon 66,UL94V-0,GWT 750°C

Ordering Information:

C1301AHM<AHMA>-XP - ***
1 2

1.Part No.

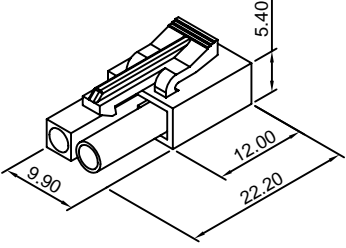
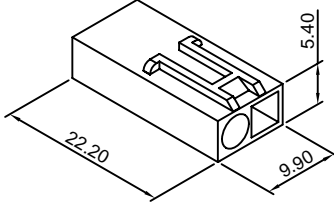
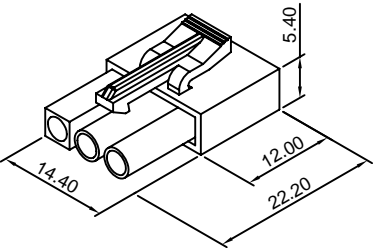
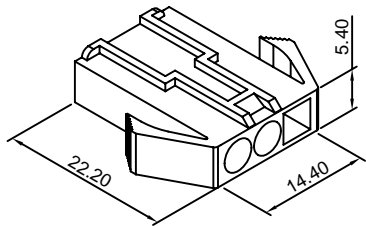
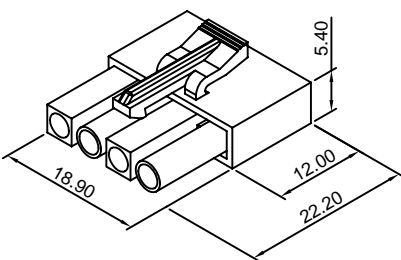
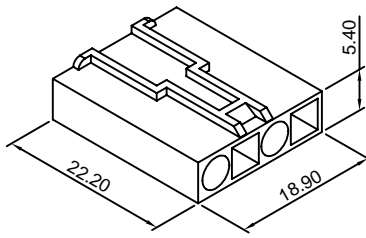
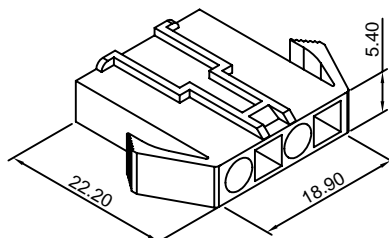
2.Material:

(blank):Nylon 66,UL94V-2

V0:Nylon 66,UL94V-0

GWT:Nylon 66,UL94V-0,GWT 750°C

Unit: mm

C1301AHF	C1301AHM
 <p data-bbox="411 896 550 922">C1301AHF-2P</p>	 <p data-bbox="1029 757 1189 784">C1301AHMA-2P</p>
 <p data-bbox="411 1332 550 1359">C1301AHF-3P</p>	 <p data-bbox="1029 1332 1189 1359">C1301AHM-3P</p>
 <p data-bbox="411 1836 550 1863">C1301AHF-4P</p>	 <p data-bbox="1029 1668 1189 1695">C1301AHMA-4P</p>  <p data-bbox="1029 2004 1189 2031">C1301AHM-4P</p>

C1301H

4.50mm Pitch Housing

Reference Informations:

*Material:Nylon 66,UL94V-2

C1301AHM(Suitable Terminal: C1301AM-T)

C1301AHF(Suitable Terminal: C1301AF-T)

*Color:Light green

Ordering Information:

C1301AHF-2xXP - ***
 $\frac{1}{2}$

1.Part No.

2.Material:

(blank):Nylon 66,UL94V-2

V0:Nylon 66,UL94V-0

GWT:Nylon 66,UL94V-0,GWT 750°C

Ordering Information:

C1301AHM<AHMA>-2xXP - ***
 $\frac{1}{2}$

1.Part No.

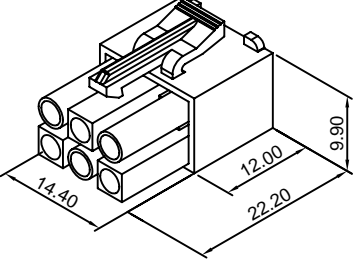
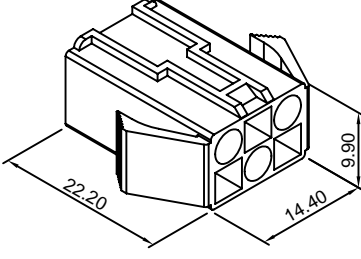
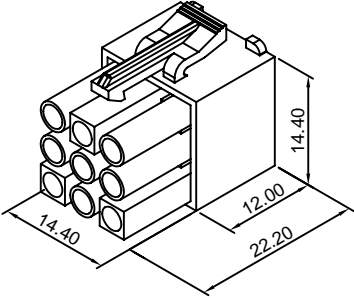
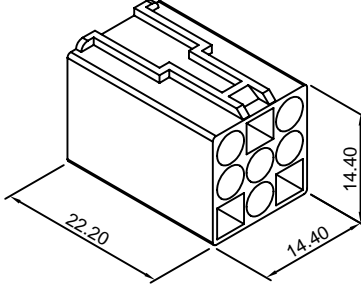
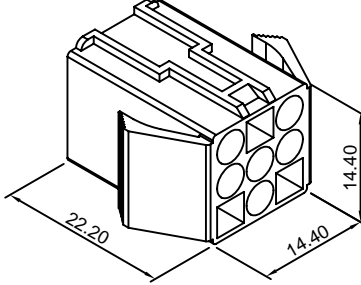
2.Material:

(blank):Nylon 66,UL94V-2

V0:Nylon 66,UL94V-0

GWT:Nylon 66,UL94V-0,GWT 750°C

Unit: mm

C1301AHF	C1301AHM
 <p data-bbox="400 880 560 902">C1301AHF-2x3P</p>	 <p data-bbox="1023 880 1182 902">C1301AHM-2x3P</p>
 <p data-bbox="400 1507 560 1529">C1301AHF-3x3P</p>	 <p data-bbox="1018 1294 1193 1317">C1301AHMA-3x3P</p>
	 <p data-bbox="1023 1765 1182 1787">C1301AHM-3x3P</p>

C1301H

4.50mm Pitch Housing

Reference Informations:

*Material:Nylon 66,UL94V-2

C1301AHM(Suitable Terminal: C1301AM-T)

C1301AHF(Suitable Terminal: C1301AF-T)

*Color:Light green

Ordering Information:

C1301AHF-3xXP - ***

1 2

1.Part No.

2.Material:

(blank):Nylon 66,UL94V-2

V0:Nylon 66,UL94V-0

GWT:Nylon 66,UL94V-0,GWT 750°C

Ordering Information:

C1301AHM<AHMA>-3xXP - ***

1 2

1.Part No.

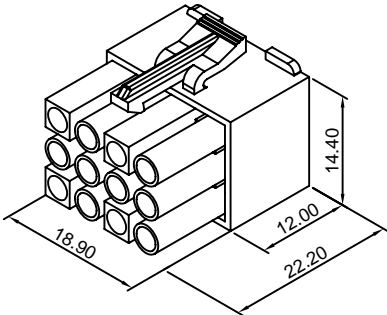
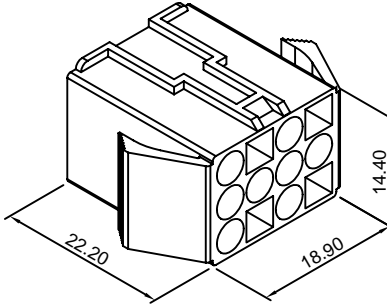
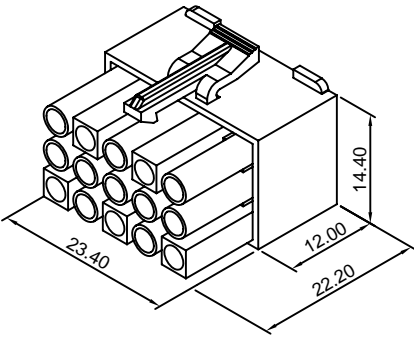
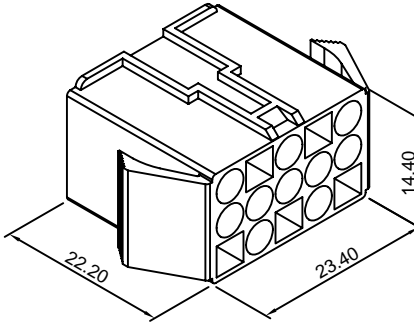
2.Material:

(blank):Nylon 66,UL94V-2

V0:Nylon 66,UL94V-0

GWT:Nylon 66,UL94V-0,GWT 750°C

Unit: mm

C1301AHF	C1301AHM
 <p data-bbox="397 965 560 992">C1301AHF-3x4P</p>	 <p data-bbox="1023 965 1185 992">C1301AHM-3x4P</p>
 <p data-bbox="397 1480 560 1507">C1301AHF-3x5P</p>	 <p data-bbox="1023 1480 1185 1507">C1301AHM-3x5P</p>