

Specifications(Ordinary)

Current rating:10A AC,DC
 Voltage rating:250V AC,DC
 Temperature range:-40°C~+105°C
 Contact resistance:10mΩMax.
 Insulation resistance:1000MΩMin.
 Withstanding voltage:1500V AC/minute
 Meet the HF/Halogen Free,GWT/Glow wire Test (IEC60335-1) request,need to customize
 Contact CJT for details

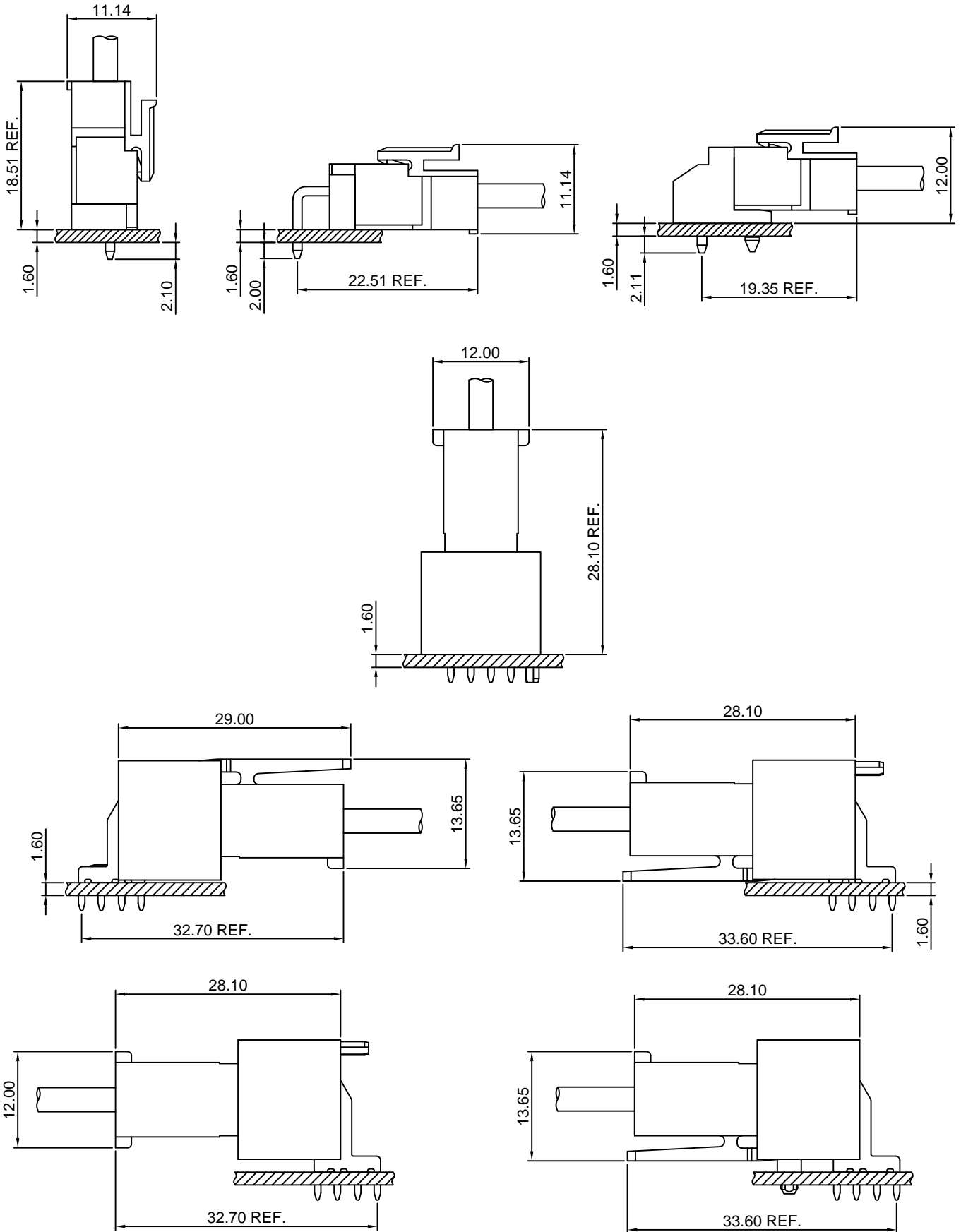
Standards



Specifications(Special)

Current rating:16A AC,DC
 Voltage rating:380V AC,DC
 Temperature range:-40°C~+105°C
 Contact resistance:20mΩMax.
 Insulation resistance:1000MΩMin.
 Withstanding voltage:1800V AC/minute
 Meet the HF/Halogen Free,GWT/Glow wire Test (IEC60335-1) request,need to customize
 Contact CJT for details

Assembly layout

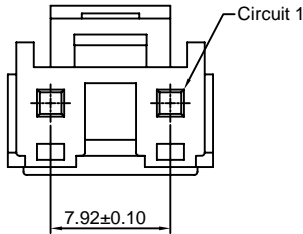


A7921H-2P

7.92mm pitch Housing

Reference Informations:

- *Material:Nylon 66,UL94V-0
- *Suitable CJT A3963-T(-H) series Terminal
- *Mates with CJT A3963WV,WR-3P-A,A7921WRH-2P series Wafer
- *Color:White



Ordering Information:

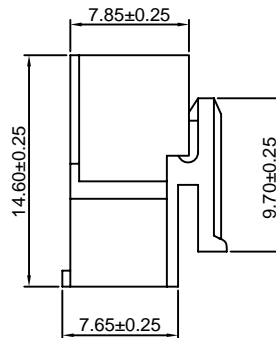
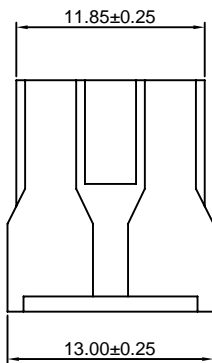
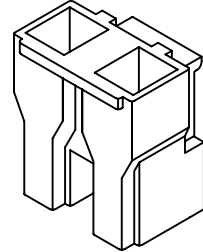
A7921H-2P - ***
1 2

1.Part No.

2.Material:

(blank):Nylon 66,UL94V-0

GWT:Nylon 66,UL94V-0,GWT 750°C



Unit: mm

A7921WRH-2P

7.92mm pitch 90° Wafer

Reference Informations:

- *Material:Pin:Brass/Tin over Nickel
Insulator:Nylon 66,UL94V-0
- *Mates with CJT A7921H-2P or A3963H-3P series Housing
- *Color:White

Ordering Information:

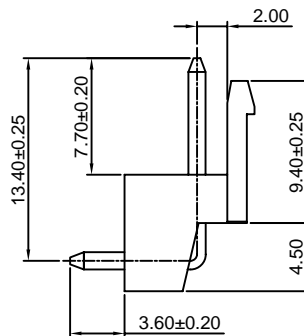
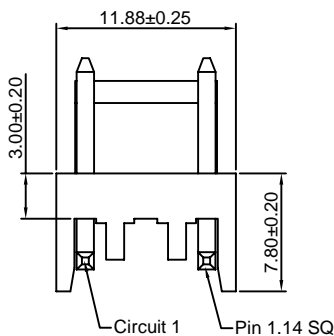
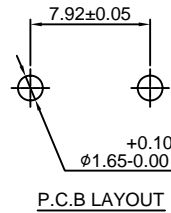
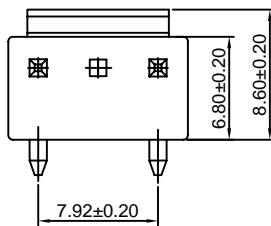
A7921WRH-2P - ***
1 2

1.Part No.

2.Material:

(blank):Nylon 66,UL94V-0

GWT:Nylon 66,UL94V-0,GWT 750°C



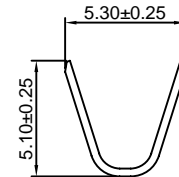
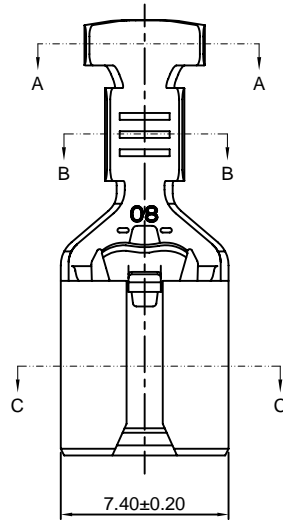
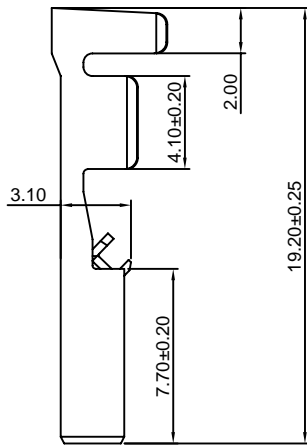
Unit: mm

A7921-T-A

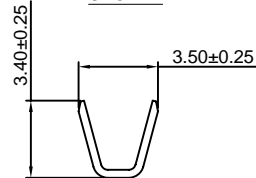
5.00mm pitch Crimp Terminal

Reference Informations:

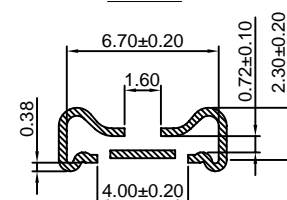
*Used in CJT A7921HC,HD-XP series Housing



SEC:A-A



SEC:B-B



SEC:C-C

Ordering information & Specifications:

Unit:mm

Part NO.	Wire Range	Insulation O.D.	Material	Finish	Qty/reel
A7921-TB-A	AWG#14-#18	3.30mm(max)	Brass	Tin over Nickel	5,000 PCS
A7921-TP-A	AWG#14-#18	3.30mm(max)	Phosphor Bronze	Tin over Nickel	5,000 PCS
A7921-SUS-A	AWG#14-#18	3.30mm(max)	SUS 304	-----	5,000 PCS

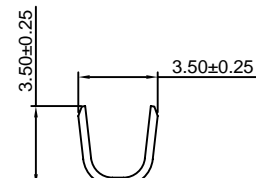
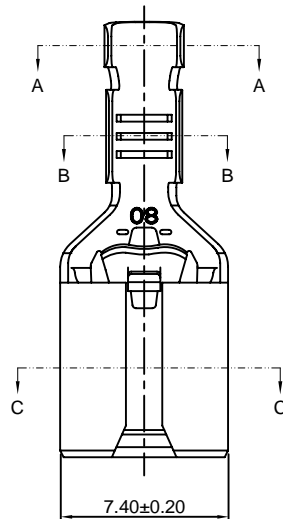
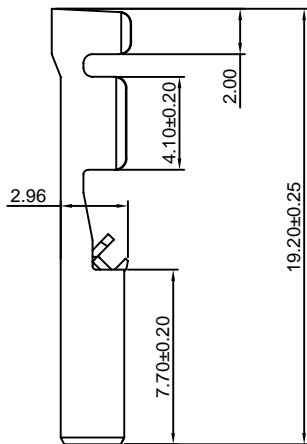
Optional Gold plating available but MOQ requested

A7921-T-A-L

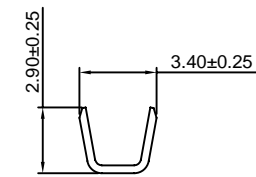
5.00mm pitch Crimp Terminal

Reference Informations:

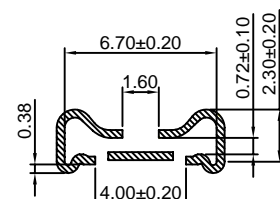
*Used in CJT A7921HC,HD-XP series Housing



SEC:A-A



SEC:B-B



SEC:C-C

Ordering information & Specifications:

Unit:mm

Part NO.	Wire Range	Insulation O.D.	Material	Finish	Qty/reel
A7921-TB-A-L	AWG#20-#22	1.80mm(max)	Brass	Tin over Nickel	5,000 PCS
A7921-TP-A-L	AWG#20-#22	1.80mm(max)	Phosphor Bronze	Tin over Nickel	5,000 PCS
A7921-SUS-A-L	AWG#20-#22	1.80mm(max)	SUS 304	-----	5,000 PCS

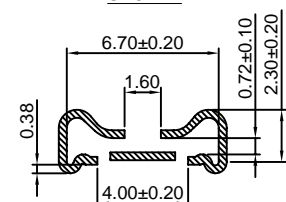
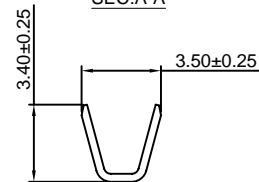
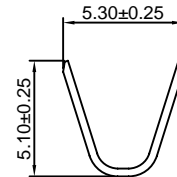
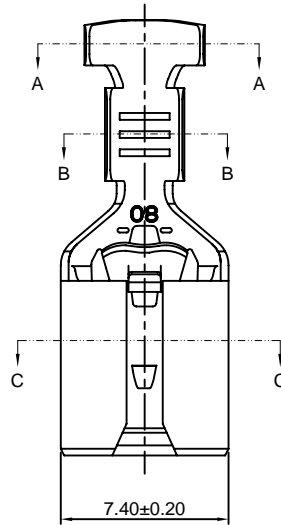
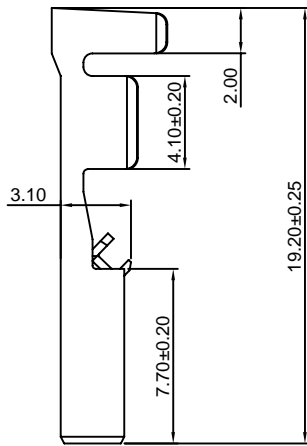
Optional Gold plating available but MOQ requested

A7921-T-B

5.00mm pitch Crimp Terminal

Reference Informations:

*Used in CJT A7921HC,HD-XP series Housing



Ordering information & Specifications:

Unit:mm

Part NO.	Wire Range	Insulation O.D.	Material	Finish	Qty/reel
A7921-TB-B	AWG#14-#18	3.30mm(max)	Brass	Tin over Nickel	5,000 PCS
A7921-TP-B	AWG#14-#18	3.30mm(max)	Phosphor Bronze	Tin over Nickel	5,000 PCS
A7921-SUS-B	AWG#14-#18	3.30mm(max)	SUS 304	-----	5,000 PCS

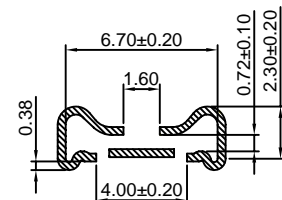
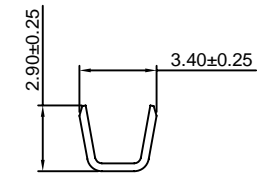
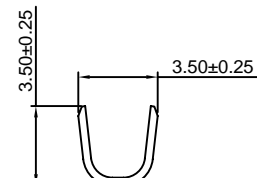
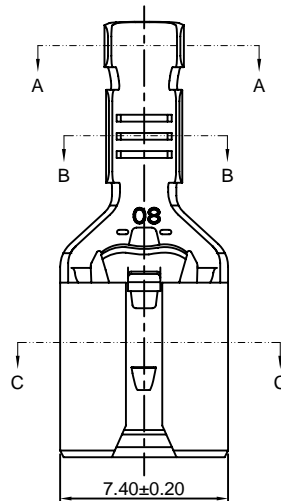
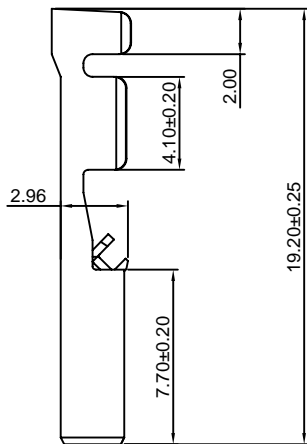
Optional Gold plating available but MOQ requested

A7921-T-B-L

5.00mm pitch Crimp Terminal

Reference Informations:

*Used in CJT A7921HC,HD-XP series Housing



Ordering information & Specifications:

Unit:mm

Part NO.	Wire Range	Insulation O.D.	Material	Finish	Qty/reel
A7921-TB-B-L	AWG#20-#22	1.80mm(max)	Brass	Tin over Nickel	5,000 PCS
A7921-TP-B-L	AWG#20-#22	1.80mm(max)	Phosphor Bronze	Tin over Nickel	5,000 PCS
A7921-SUS-B-L	AWG#20-#22	1.80mm(max)	SUS 304	-----	5,000 PCS

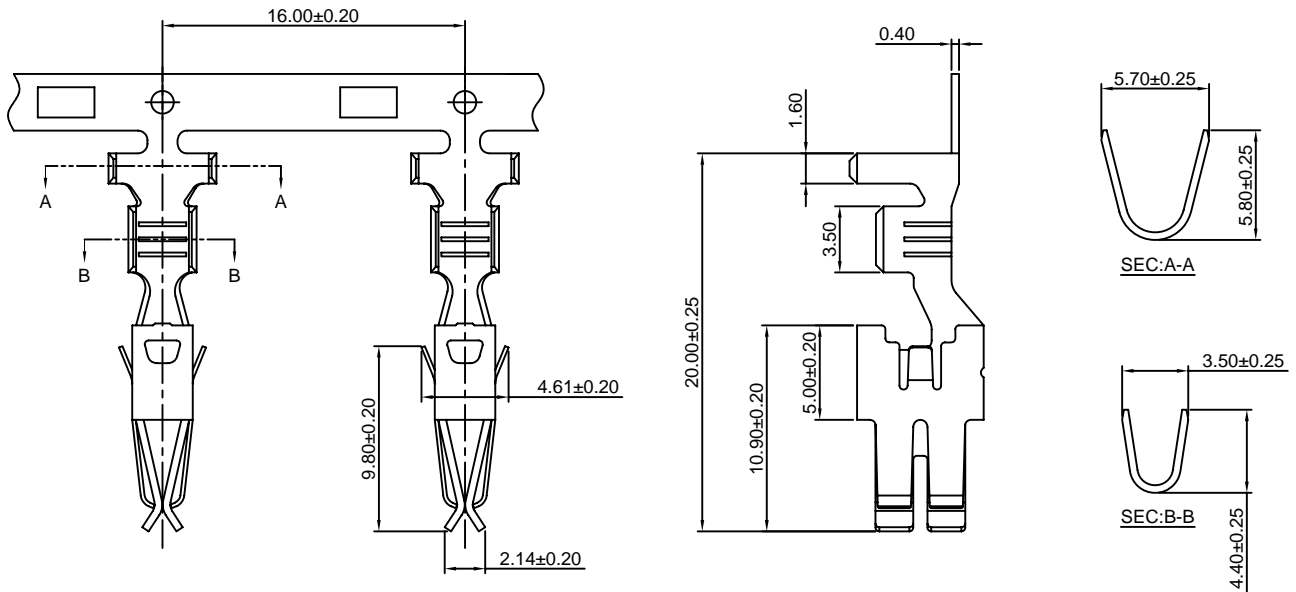
Optional Gold plating available but MOQ requested

A7921-T-C

5.00mm pitch Crimp Terminal

Reference Informations:

*Used in CJT A7921HCA-XP,A7921HDA-XP series Housing



Ordering information & Specifications:

Unit:mm

Part NO.	Wire Range	Insulation O.D.	Material	Finish	Qty/reel
A7921-TCF-C	AWG#20-#22	1.80mm(max)	CuFe/Copper Iron	Tin over Nickel	2,300 PCS
A7921-SCF-C	AWG#20-#22	1.80mm(max)	CuFe/Copper Iron	Silver Plated	2,300 PCS

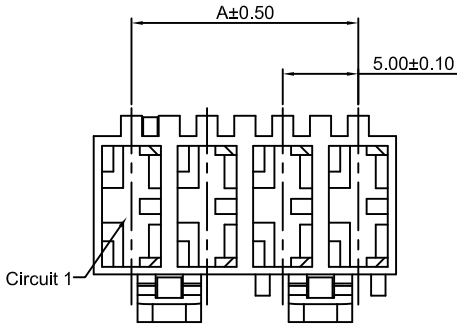
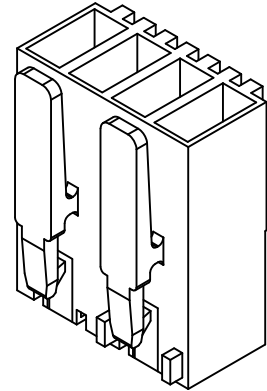
Optional Gold plating available but MOQ requested

A7921HC-XP

5.00mm pitch Housing

Reference Informations:

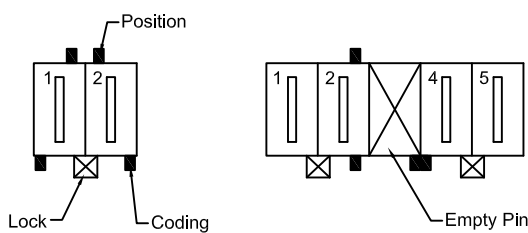
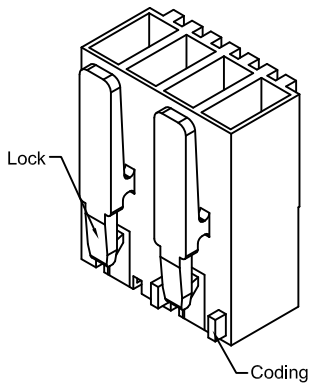
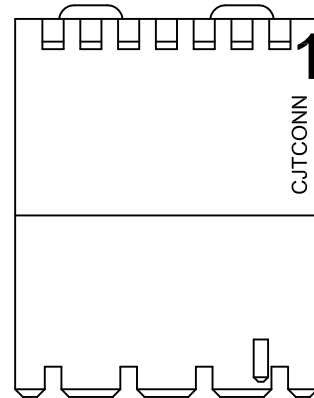
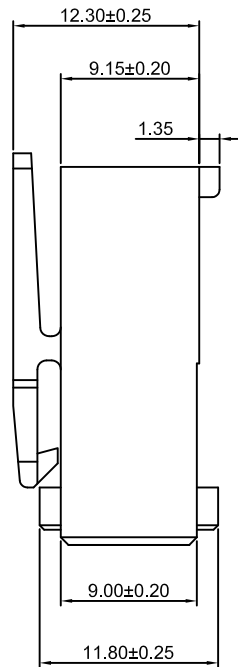
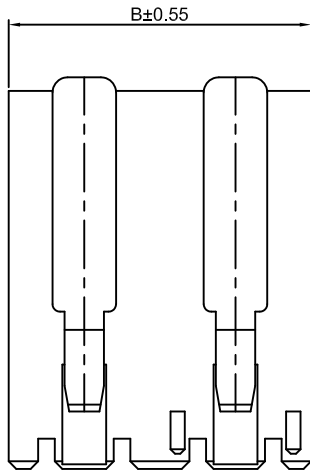
- *Material: Nylon 66, UL94V-0, GWT 750°C
- *Suitable CJT A7921-T-A(-L), A7921-T-B(-L) series Terminal
- *Mates with CJT A7921WVA, WVB, WRA, WRA-R, WRA-RH, WRA-RH-F-XP series Wafer
- *Compliant IEC 60695-2-11 and IEC 60335-1(750°C, Flamme<2S)
- *Color: Ivory



Ordering Information:

A7921HC-XP - **
1 2

1. Part No.
2. Please find page 620-624 for details.



Ordering Information & Dimensions:

PART NO.	Dimensions	
	A	B
2P	5.00	10.00
3P	10.00	15.00
4P	15.00	20.00
5P	20.00	25.00
6P	25.00	30.00
7P	30.00	35.00
8P	35.00	40.00
9P	40.00	45.00
10P	45.00	50.00
11P	50.00	55.00
12P	55.00	60.00

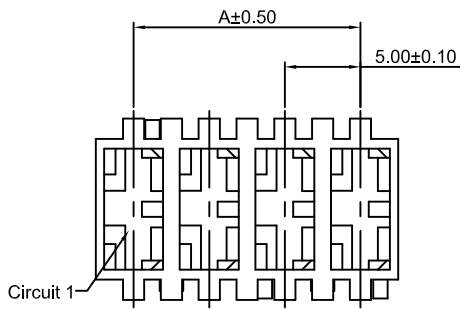
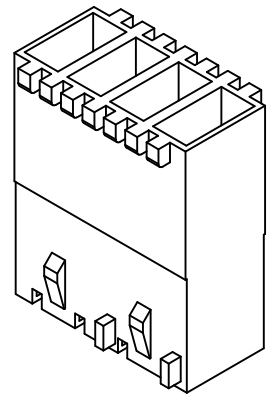
Unit: mm

A7921HD-XP

5.00mm pitch Housing

Reference Informations:

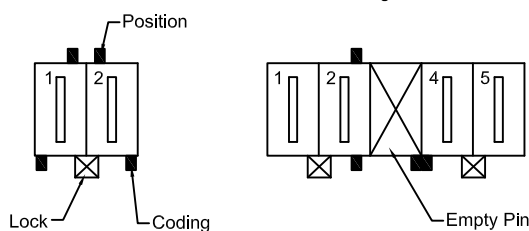
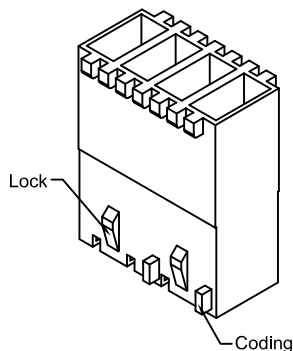
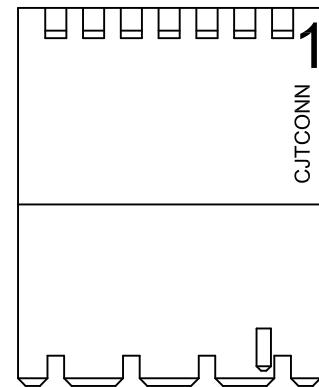
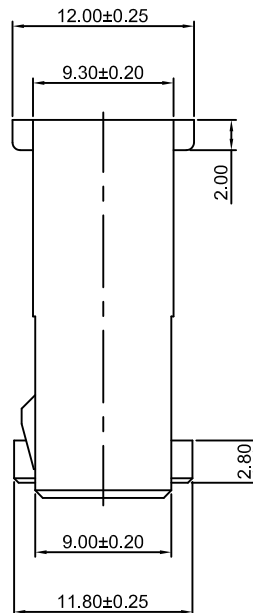
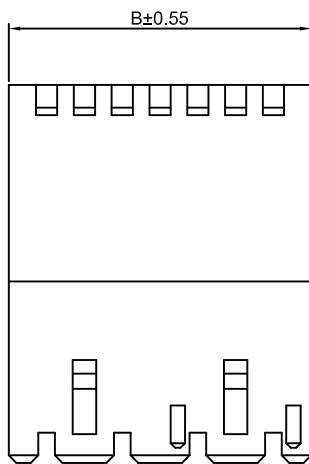
- *Material: Nylon 66, UL94V-0, GWT 750°C
- *Suitable CJT A7921-T-A(-L), A7921-T-B(-L) series Terminal
- *Mates with CJT A7921WVA, WVB, WRA, WRA-R, WRA-RH, WRA-RH-F-XP series Wafer
- *Compliant IEC 60695-2-11 and IEC 60335-1(750°C, Flamme<2S)
- *Color: Ivory



Ordering Information:

A7921HD-XP - **
1 2

1. Part No.
2. Please find page 620~624 for details.



Ordering Information & Dimensions:

PART NO.	Dimensions	
	A	B
2P	5.00	10.00
3P	10.00	15.00
4P	15.00	20.00
5P	20.00	25.00
6P	25.00	30.00
7P	30.00	35.00
8P	35.00	40.00
9P	40.00	45.00
10P	45.00	50.00
11P	50.00	55.00
12P	55.00	60.00

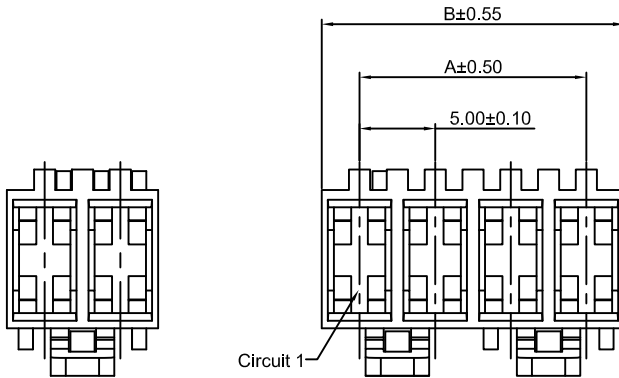
Unit: mm

A7921HCA-XP

5.00mm pitch Housing

Reference Informations:

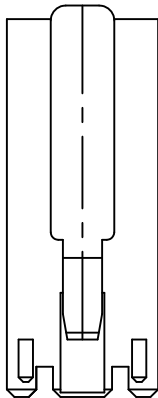
- *Material: Nylon 66, UL94V-0, GWT 750°C
- *Suitable CJT A7921-T-C series Terminal
- *Mates with CJT A7921WVA, WVB, WRA, WRA-R, WRA-RH, WRA-RH-F-XP series Wafer
- *Compliant IEC 60695-2-11 and IEC 60335-1(750°C, Flamme<2S)
- *Color: Ivory



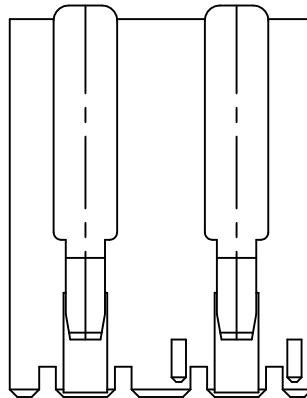
Ordering Information:

A7921HCA-XP - **
1 2

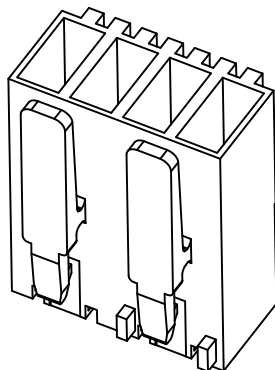
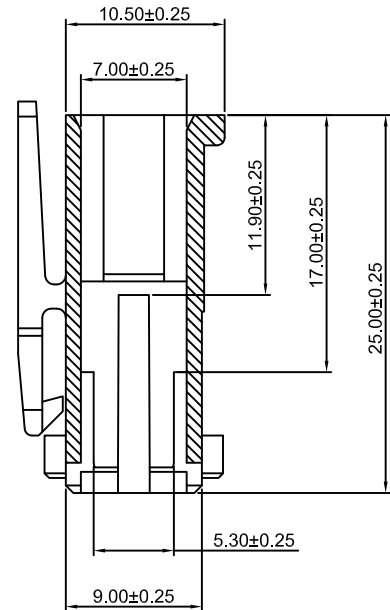
1. Part No.
2. Please find page 620-624 for details.



02P



03P-12P



Ordering Information & Dimensions:

PART NO.	Dimensions	
	A	B
2P	5.00	10.00
3P	10.00	15.00
4P	15.00	20.00
5P	20.00	25.00
6P	25.00	30.00
7P	30.00	35.00
8P	35.00	40.00
9P	40.00	45.00
10P	45.00	50.00
11P	50.00	55.00
12P	55.00	60.00

Unit: mm

A7921HDA-XP

5.00mm pitch Housing

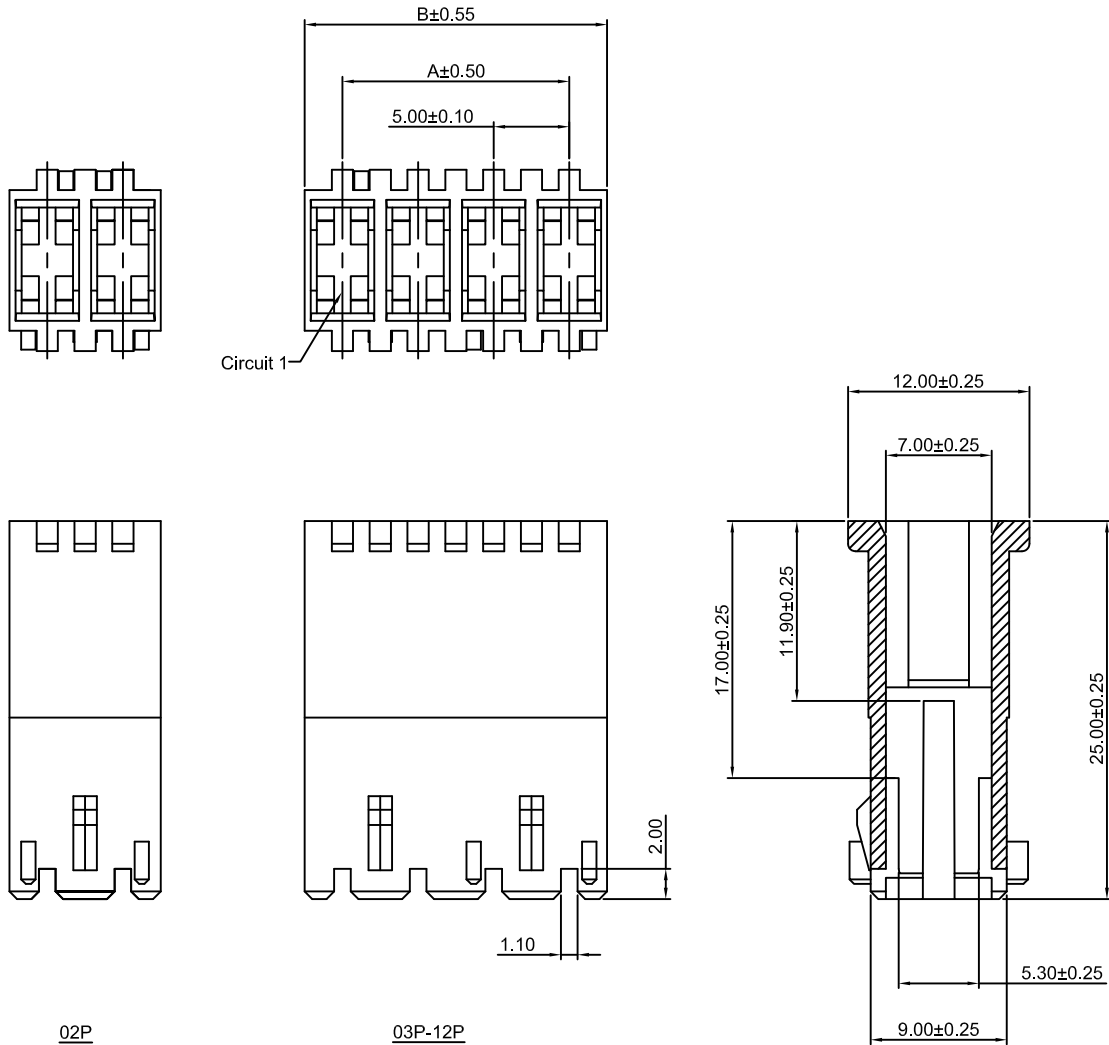
Reference Informations:

- *Material: Nylon 66, UL94V-0, GWT 750°C
- *Suitable CJT A7921-T-C series Terminal
- *Mates with CJT A7921WVA, WVB, WRA, WRA-R, WRA-RH, WRA-RH-F-XP series Wafer
- *Compliant IEC 60695-2-11 and IEC 60335-1(750°C, Flamme<2S)
- *Color: Ivory

Ordering Information:

A7921HDA-XP - **

1. Part No.
2. Please find page 620-624 for details.



Ordering Information & Dimensions:

PART NO.	Dimensions	
	A	B
2P	5.00	10.00
3P	10.00	15.00
4P	15.00	20.00
5P	20.00	25.00
6P	25.00	30.00
7P	30.00	35.00
8P	35.00	40.00
9P	40.00	45.00
10P	45.00	50.00
11P	50.00	55.00
12P	55.00	60.00

Unit: mm

A7921WVA-XP

5.00mm pitch 180° Wafer

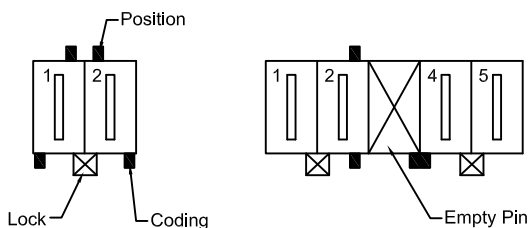
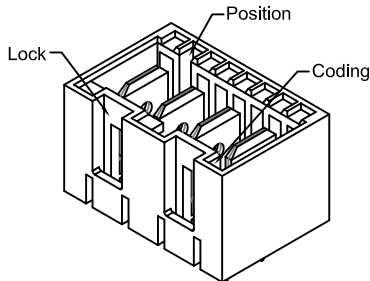
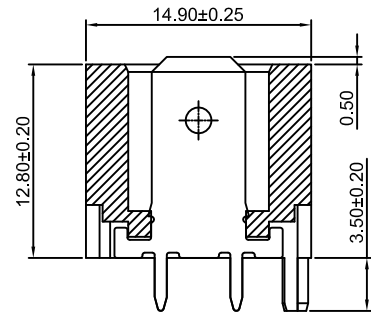
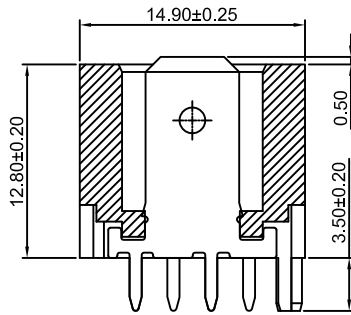
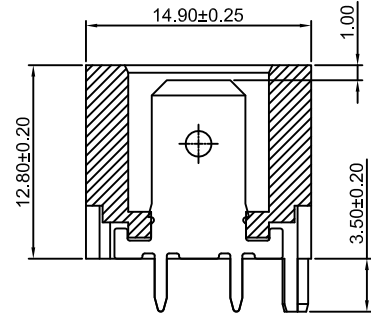
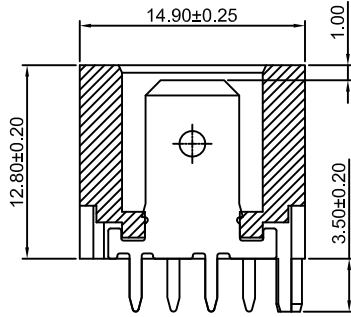
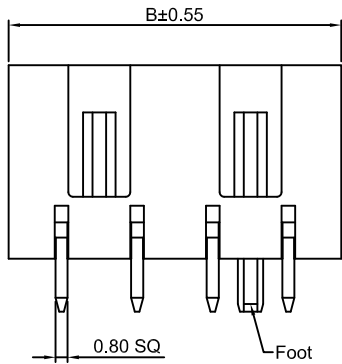
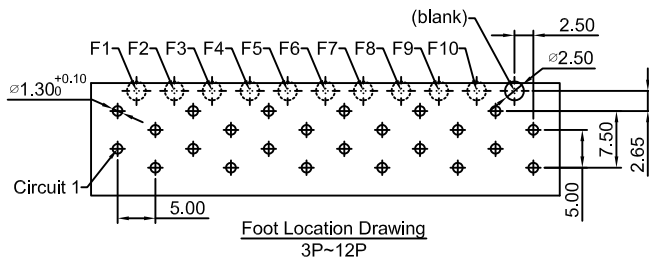
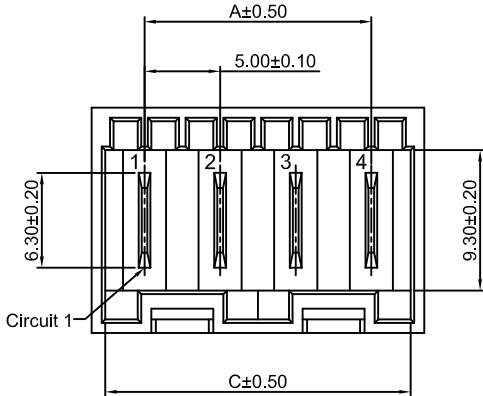
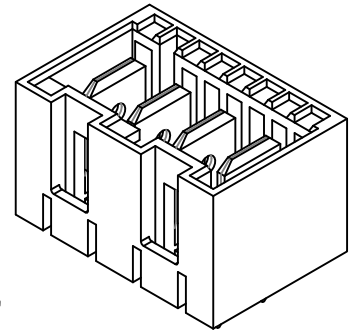
Reference Informations:

- *Material: Insulator: Nylon 66, UL94V-0, GWT 750°C
Terminal: Brass (Tab is 6.30x0.80)
- *Suitable CJT A7921HC, HD, HCA, HDA-XP series Housing
- *Contact: Tin Plated 80~120u" over Ni 30~50u"
Silver Plated 80~120u" over Ni 30~50u"
- *Compliant IEC 60695-2-11 and IEC 60335-1(750°C, Flamme<2S)
- *Color: Ivory

Ordering Information:

A7921WVA - XP - * - ** - ** - *** - ***

1. Part No.
2. Circuit number.
3. Terminal Finish:
(blank): Tin over Nickel
S: Silver over Nickel
4. Please find page 620~624 for details.
5. Foot:
(blank): See the Foot Location Drawing
F1~F10: See the Foot Location Drawing
6. Void position:
A: Void position (Odd numbers)
N* ** : Void position (Arbitrarily numbers)
7. Terminal Style:
(blank): TYPE 1
TH1~TH12: TYPE 2 (pre-mating protective contact, protruding 1.5mm, possible at any position)



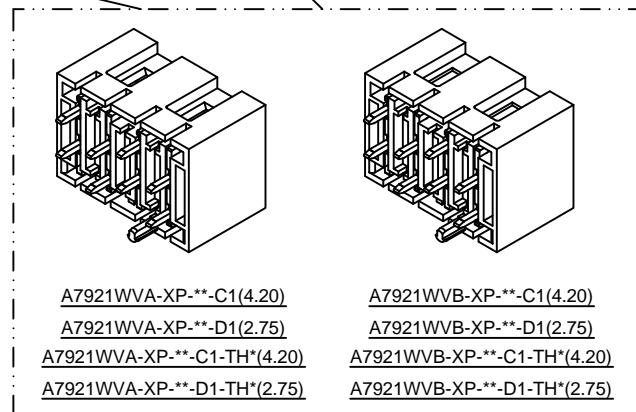
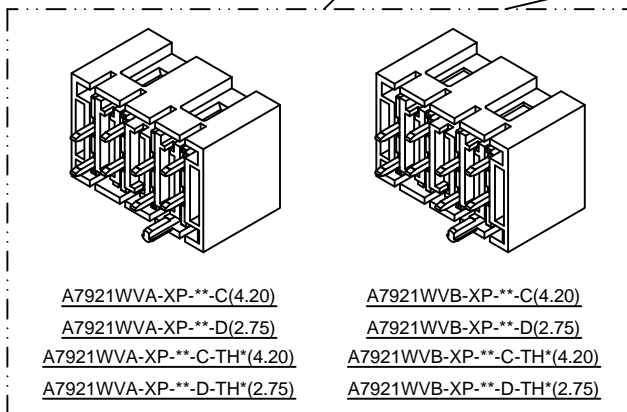
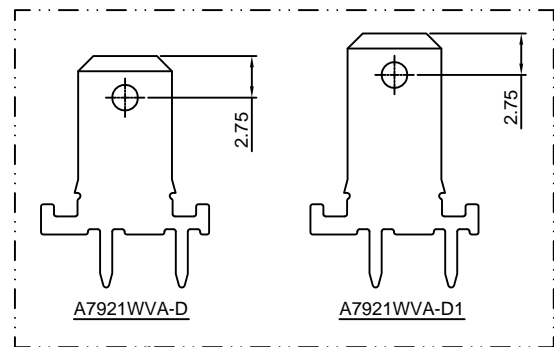
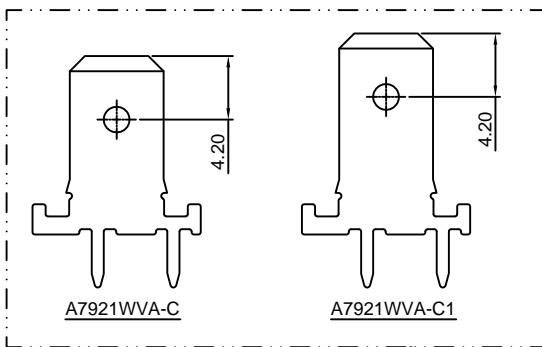
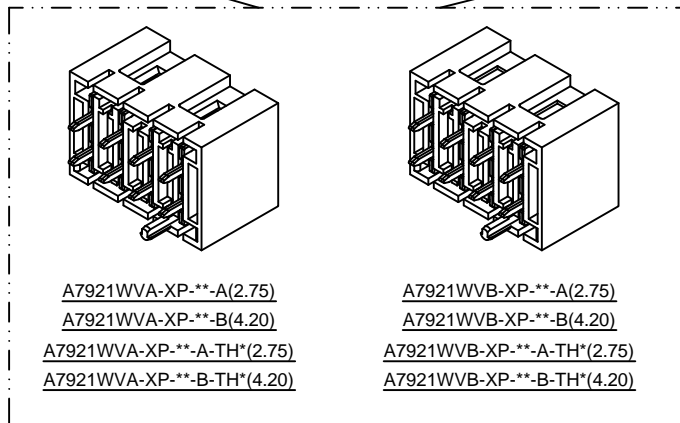
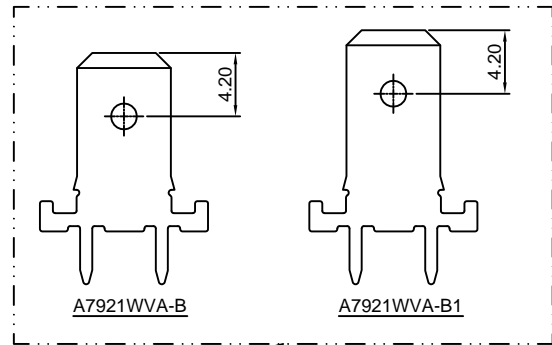
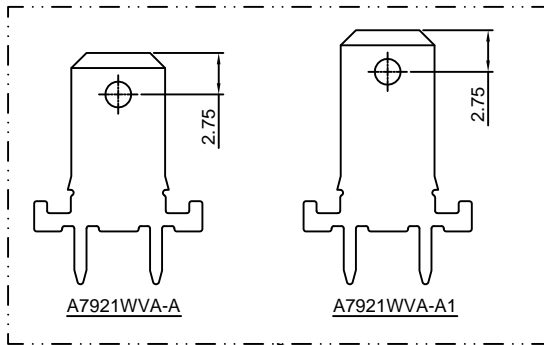
Ordering Information & Dimensions:

PART NO.	Dimensions		
	A	B	C
2P	5.00	12.00	10.20
3P	10.00	17.00	15.20
4P	15.00	22.00	20.20
5P	20.00	27.00	25.20
6P	25.00	32.00	30.20
7P	30.00	37.00	35.20
8P	35.00	42.00	40.20
9P	40.00	47.00	45.20
10P	45.00	52.00	50.20
11P	50.00	57.00	55.20
12P	55.00	62.00	60.20

Unit: mm

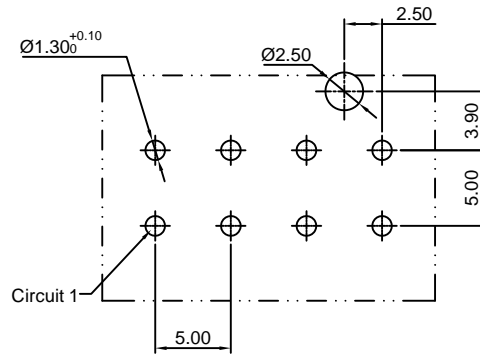
A7921WVA/WVB

5.00mm pitch 180° Wafer



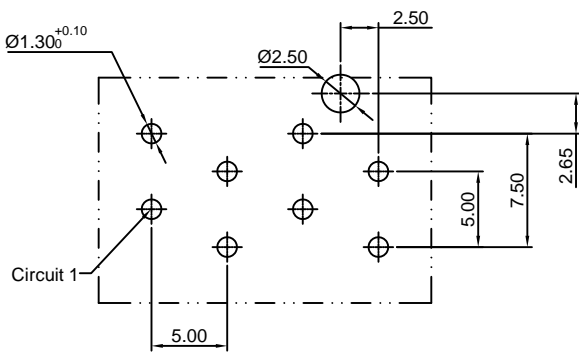
A7921WVA/WVB

5.00mm pitch 180° Wafer

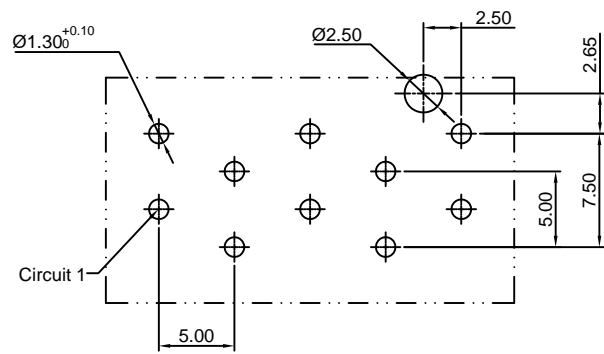


P.C.B LAYOUT-COMPONENT SIDE

[A7921WVA-XP**-A(2.75)]	[A7921WVB-XP**-A(2.75)]
[A7921WVA-XP**-B(4.20)]	[A7921WVB-XP**-B(4.20)]
[A7921WVA-XP**-A-TH*(2.75)]	[A7921WVB-XP**-A-TH*(2.75)]
[A7921WVA-XP**-B-TH*(4.20)]	[A7921WVB-XP**-B-TH*(4.20)]



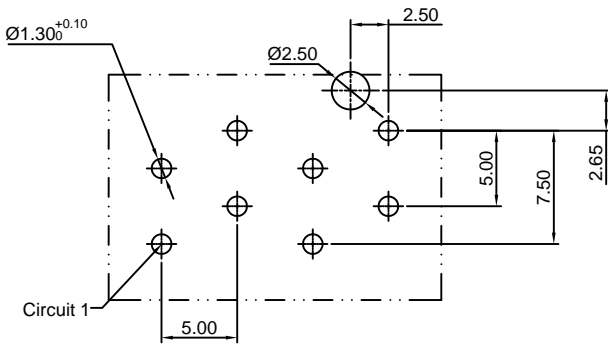
Even numbers



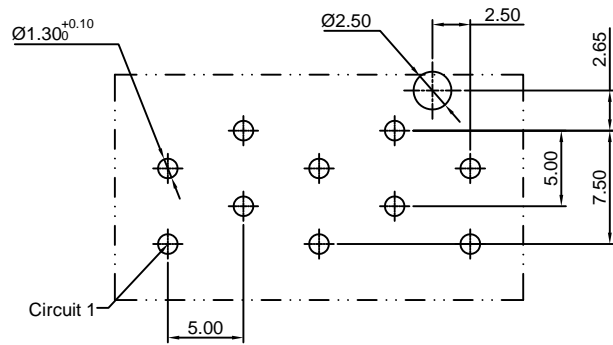
ODD numbers

P.C.B LAYOUT-COMPONENT SIDE

[A7921WVA-XP**-C(4.20)]	[A7921WVB-XP**-C(4.20)]
[A7921WVA-XP**-D(2.75)]	[A7921WVB-XP**-D(2.75)]
[A7921WVA-XP**-C-TH*(4.20)]	[A7921WVB-XP**-C-TH*(4.20)]
[A7921WVA-XP**-D-TH*(2.75)]	[A7921WVB-XP**-D-TH*(2.75)]



Even numbers



ODD numbers

P.C.B LAYOUT-COMPONENT SIDE

[A7921WVA-XP**-C1(4.20)]	[A7921WVB-XP**-C1(4.20)]
[A7921WVA-XP**-D1(2.75)]	[A7921WVB-XP**-D1(2.75)]
[A7921WVA-XP**-C1-TH*(4.20)]	[A7921WVB-XP**-C1-TH*(4.20)]
[A7921WVA-XP**-D1-TH*(2.75)]	[A7921WVB-XP**-D1-TH*(2.75)]

A7921WRA-XP

5.00mm pitch 90° Wafer

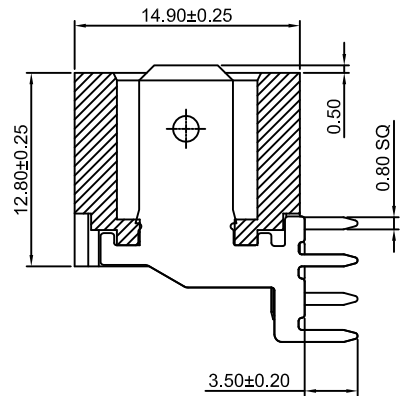
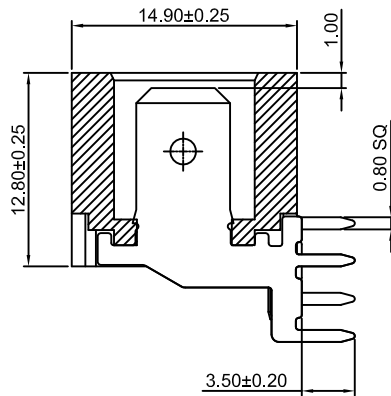
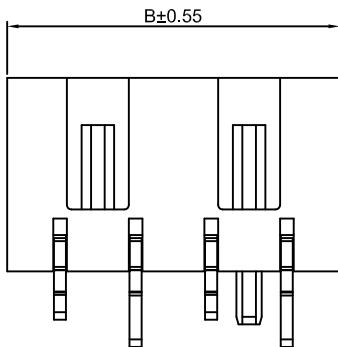
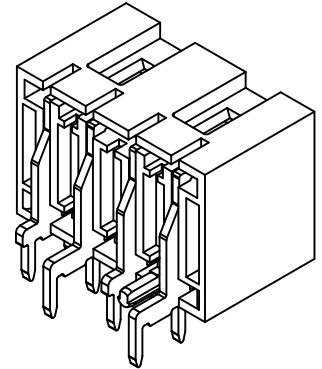
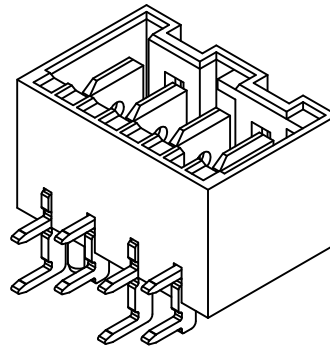
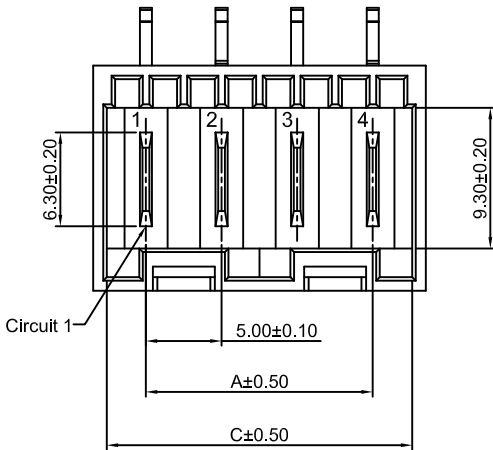
Reference Informations:

- *Material: Insulator: Nylon 66, UL94V-0, GWT 750°C
Terminal: Brass (Tab is 6.30x0.80)
- *Suitable CJT A7921HC, HD, HCA, HDA-XP series Housing
- *Contact: Tin Plated 80~120u" over Ni 30~50u"
Silver Plated 80~120u" over Ni 30~50u"
- *Compliant IEC 60695-2-11 and IEC 60335-1 (750°C, Flamme<2S)
- *Color: Ivory

Ordering Information:

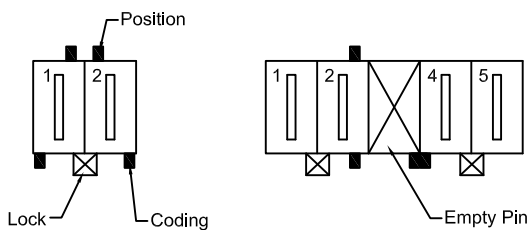
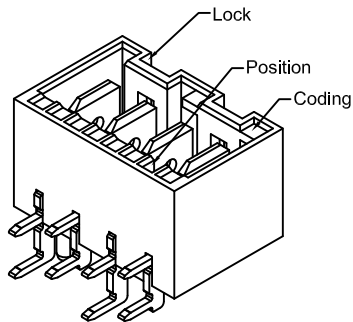
A7921WRA - XP - * - ** - *** - ****

1. Part No.
2. Circuit number.
3. Terminal Finish:
(blank): Tin over Nickel
S: Silver over Nickel
4. Please find page 620~624 for details.
5. Void position:
A: Void position (Odd numbers)
N*: *: Void position (Arbitrarily numbers)
6. Terminal Style:
(blank): TYPE 1
TH1~TH12: TYPE 2 (pre-mating protective contact, protruding 1.5mm, possible at any position)



TYPE 1

TYPE 2



Ordering Information & Dimensions:

PART NO.	Dimensions		
	A	B	C
2P	5.00	12.00	10.20
3P	10.00	17.00	15.20
4P	15.00	22.00	20.20
5P	20.00	27.00	25.20
6P	25.00	32.00	30.20
7P	30.00	37.00	35.20
8P	35.00	42.00	40.20
9P	40.00	47.00	45.20
10P	45.00	52.00	50.20
11P	50.00	57.00	55.20
12P	55.00	62.00	60.20

Unit: mm

A7921WRA-R-XP

5.00mm pitch 90° Wafer

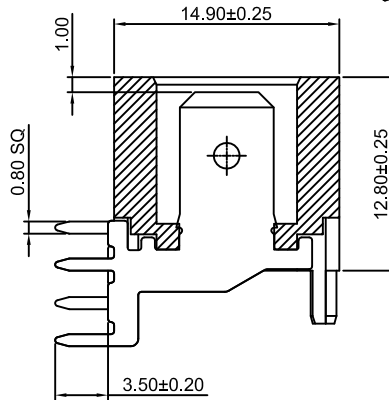
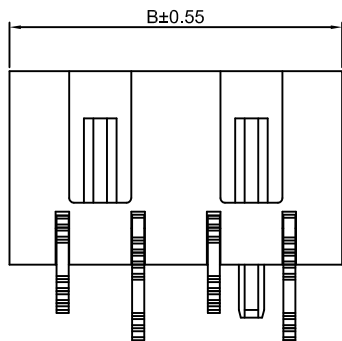
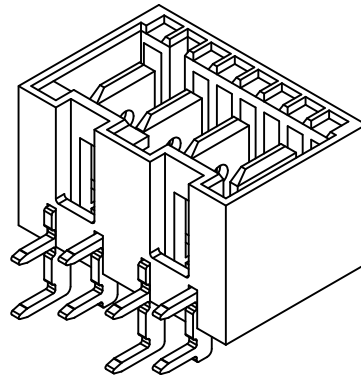
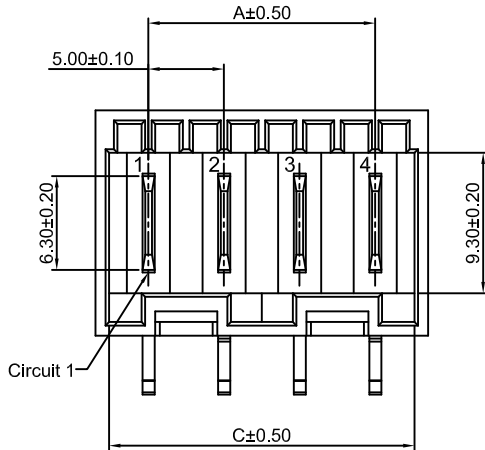
Reference Informations:

- *Material: Insulator: Nylon 66, UL94V-0, GWT 750°C
Terminal: Brass (Tab is 6.30x0.80)
- *Suitable CJT A7921HC, HD, HCA, HDA-XP series Housing
- *Contact: Tin Plated 80~120u" over Ni 30~50u"
Silver Plated 80~120u" over Ni 30~50u"
- *Compliant IEC 60695-2-11 and IEC 60335-1(750°C, Flamme<2S)
- *Color: Ivory

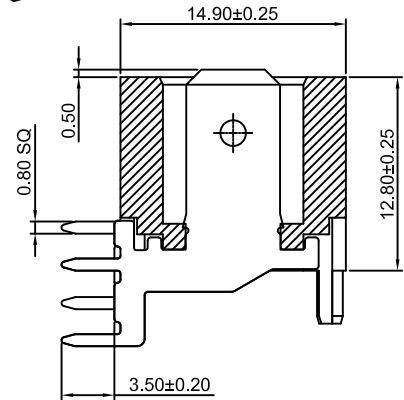
Ordering Information:

A7921WRA - R - XP - * - ** - *** - ****

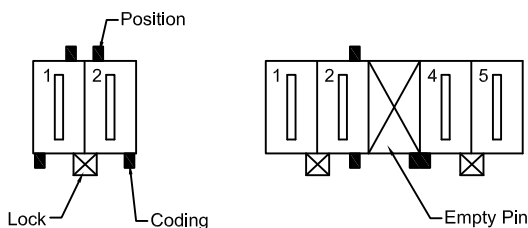
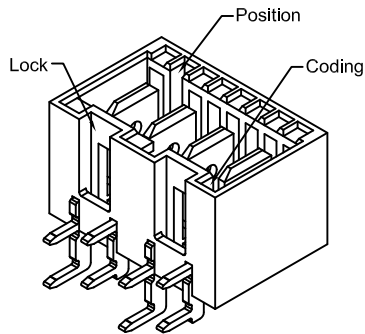
1. Part No.
2. Reverse Type
3. Circuit number.
4. Terminal Finish:
(blank): Tin over Nickel
S: Silver over Nickel
5. Please find page 620~624 for details.
6. Void position:
A: Void position (Odd numbers)
N*: * : Void position (Arbitrarily numbers)
7. Terminal Style:
(blank): TYPE 1
TH1~TH12: TYPE 2 (pre-mating protective contact, protruding 1.5mm, possible at any position)



TYPE 1



TYPE 2



Ordering Information & Dimensions:

PART NO.	Dimensions		
	A	B	C
2P	5.00	12.00	10.20
3P	10.00	17.00	15.20
4P	15.00	22.00	20.20
5P	20.00	27.00	25.20
6P	25.00	32.00	30.20
7P	30.00	37.00	35.20
8P	35.00	42.00	40.20
9P	40.00	47.00	45.20
10P	45.00	52.00	50.20
11P	50.00	57.00	55.20
12P	55.00	62.00	60.20

Unit: mm

A7921WRA-RH-XP

5.00mm pitch 90° Wafer

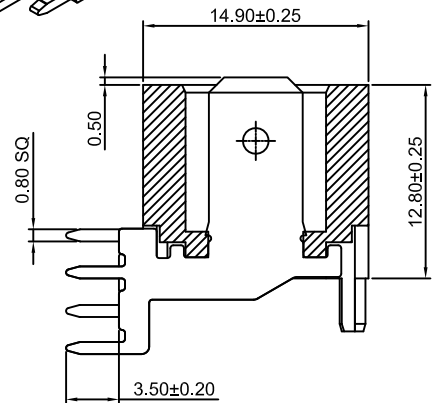
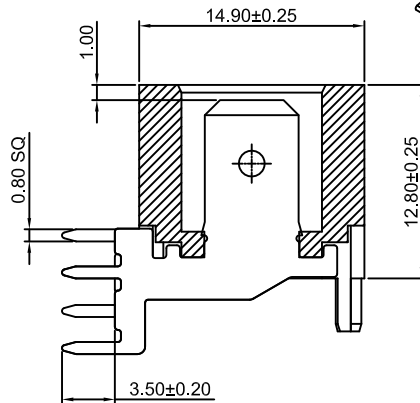
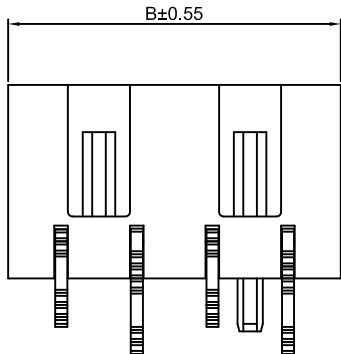
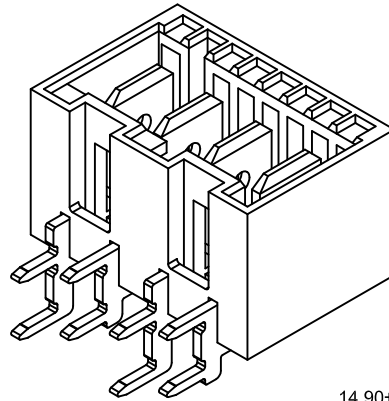
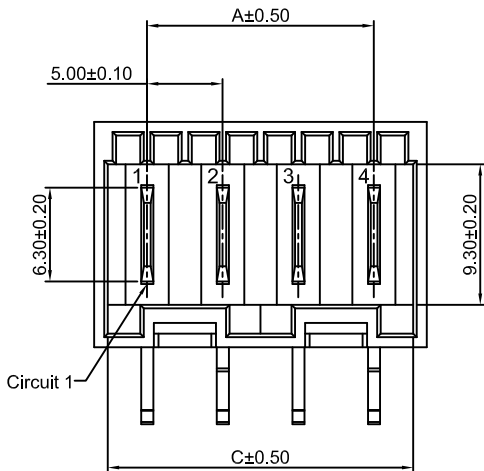
Reference Informations:

- *Material: Insulator: Nylon 66, UL94V-0, GWT 750°C
Terminal: Brass (Tab is 6.30x0.80)
- *Suitable CJT A7921HC, HD, HCA, HDA-XP series Housing
- *Contact: Tin Plated 80~120u" over Ni 30~50u"
Silver Plated 80~120u" over Ni 30~50u"
- *Compliant IEC 60695-2-11 and IEC 60335-1(750°C, Flamme<2S)
- *Color: Ivory

Ordering Information:

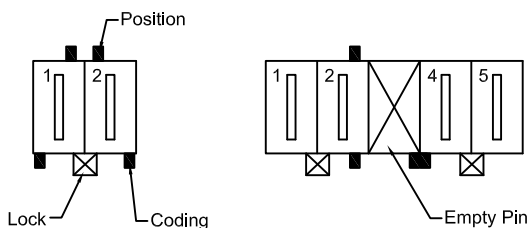
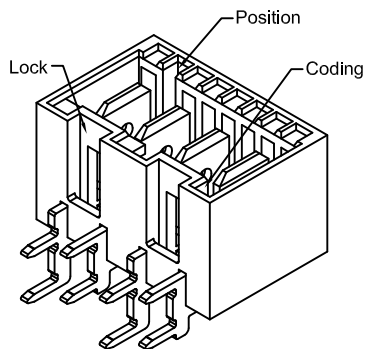
A7921WRA - RH - XP - * - ** - *** - ****
1 2 3 4 5 6 7

1. Part No.
2. Reverse Type
3. Circuit number.
4. Terminal Finish:
(blank): Tin over Nickel
S: Silver over Nickel
5. Please find page 620~624 for details.
6. Void position:
A: Void position (Odd numbers)
N*: Void position (Arbitrarily numbers)
7. Terminal Style:
(blank): TYPE 1
TH1~TH12: TYPE 2 (pre-mating protective contact, protruding 1.5mm, possible at any position)



TYPE 1

TYPE 2



Ordering Information & Dimensions:

PART NO.	Dimensions		
	A	B	C
2P	5.00	12.00	10.20
3P	10.00	17.00	15.20
4P	15.00	22.00	20.20
5P	20.00	27.00	25.20
6P	25.00	32.00	30.20
7P	30.00	37.00	35.20
8P	35.00	42.00	40.20
9P	40.00	47.00	45.20
10P	45.00	52.00	50.20
11P	50.00	57.00	55.20
12P	55.00	62.00	60.20

Unit: mm

A7921WRA-RH-F-XP

5.00mm pitch 90° Wafer

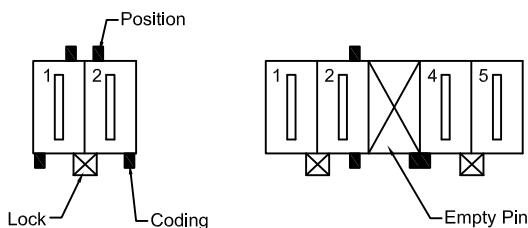
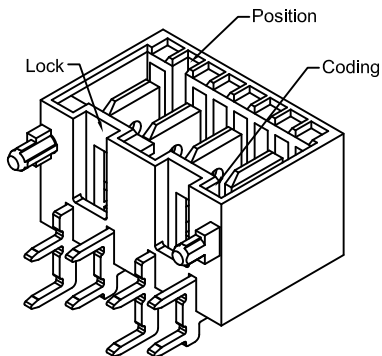
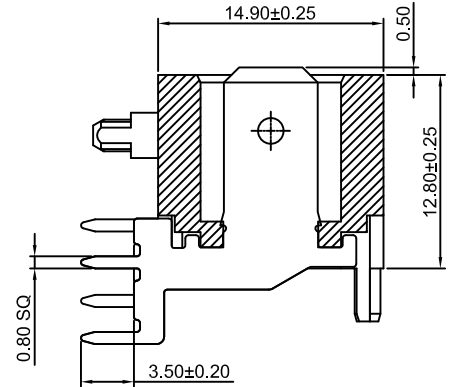
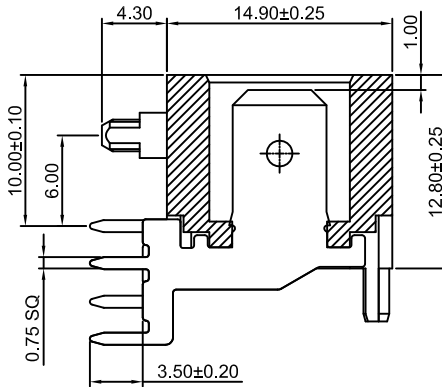
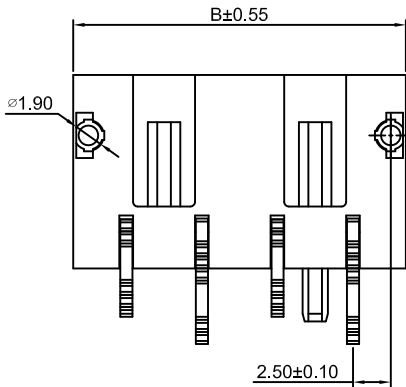
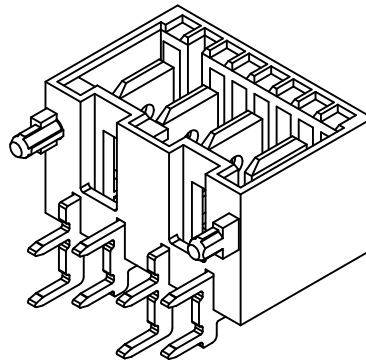
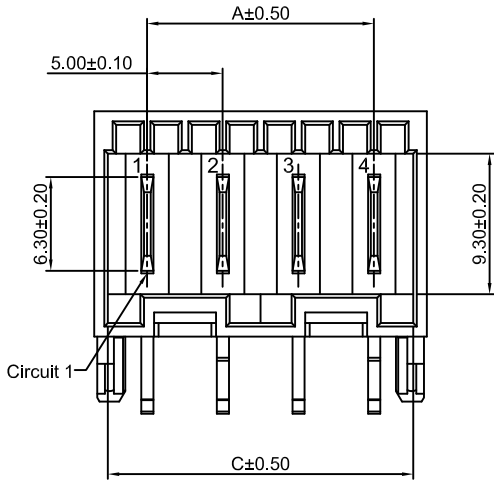
Reference Informations:

- *Material: Insulator: Nylon 66, UL94V-0, GWT 750°C
Terminal: Brass (Tab is 6.30x0.80)
- *Suitable CJT A7921HC, HD, HCA, HDA-XP series Housing
- *Contact: Tin Plated 80~120u" over Ni 30~50u"
Silver Plated 80~120u" over Ni 30~50u"
- *Compliant IEC 60695-2-11 and IEC 60335-1(750°C, Flamme<2S)
- *Color: Ivory

Ordering Information:

A7921WRA - RH - F - XP - * - ** - *** - ***
1 2 3 4 5 6 7 8

1. Part No.
2. Reverse Type
3. Foot
4. Circuit number.
5. Terminal Finish:
(blank): Tin over Nickel
S: Silver over Nickel
6. Please find page 620~624 for details.
7. Void position:
A: Void position (Odd numbers)
N* ** : Void position (Arbitrarily numbers)
8. Terminal Style:
(blank): TYPE 1
TH1~TH12: TYPE 2 (pre-mating protective contact, protruding 1.5mm, possible at any position)



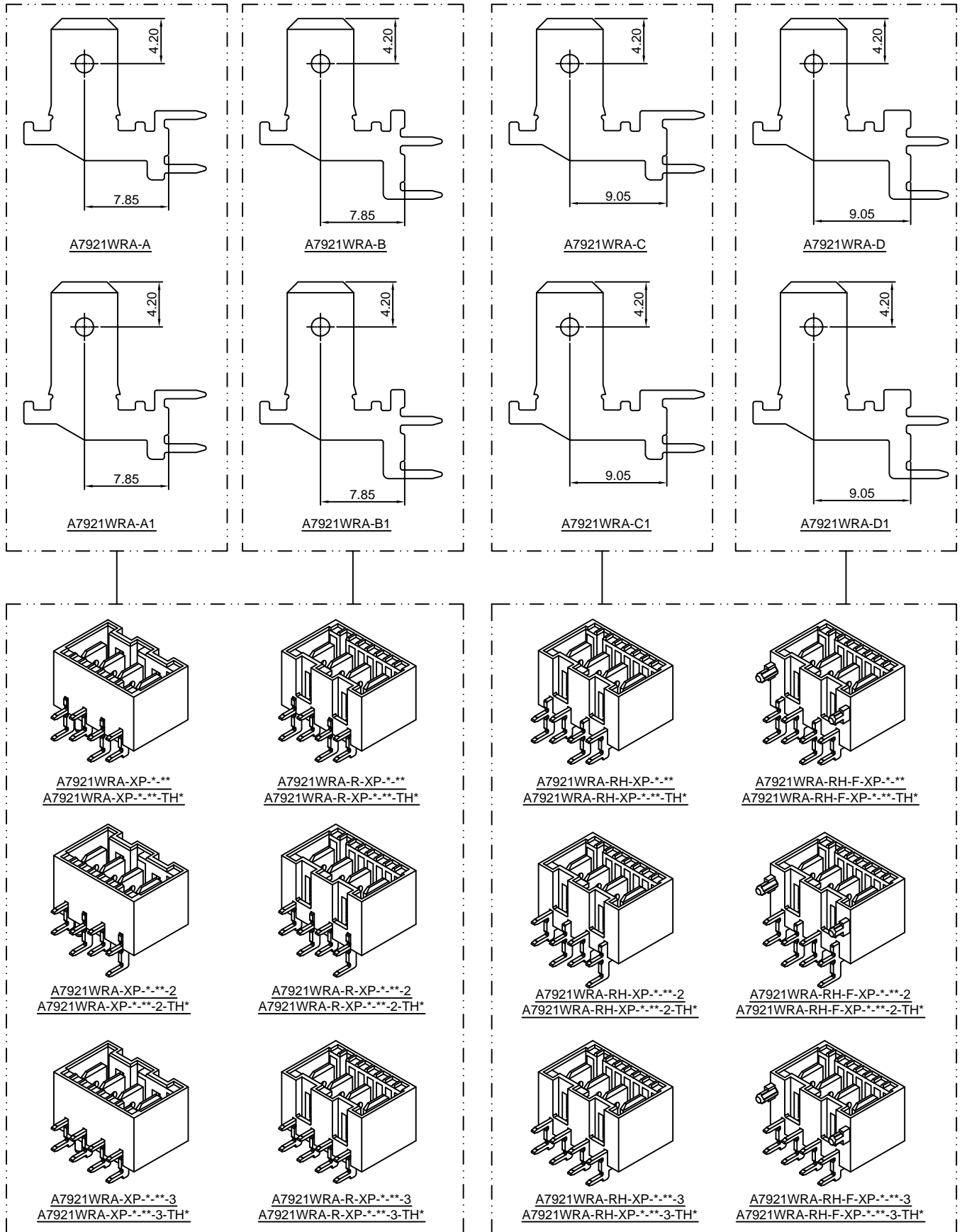
Ordering Information & Dimensions:

PART NO.	Dimensions		
	A	B	C
2P	5.00	12.00	10.20
3P	10.00	17.00	15.20
4P	15.00	22.00	20.20
5P	20.00	27.00	25.20
6P	25.00	32.00	30.20
7P	30.00	37.00	35.20
8P	35.00	42.00	40.20
9P	40.00	47.00	45.20
10P	45.00	52.00	50.20
11P	50.00	57.00	55.20
12P	55.00	62.00	60.20

Unit: mm

A7921WRA

5.00mm pitch 90° Wafer



Type	0A	0B	0C	0E	0F	0G	0H	0I	0J	0K	0L	0M	0N	0P	0Q
2 PIN															
	0R	0S	0T	0U	0X	0Z	09	10	11	31	34	38	39	40	48

Type	0A	0B	0C	0D	0E	0F	0G	0H	0I	0K	0L
3 PIN											
	0M	0N	0Q	0W	01	02	03	04	05	08	10
	11	12	13	1A	1B	1C	1D	1E	1F	2N	2P
32	33	38	39	40	44	53	65	67	80	81	
98	99										

Type	0A	0B	0C	0D	0E	0F	0G	0H	0I
4 PIN									
	0J	0K	0L	0M	0N	0W	01	02	03
	04	05	06	12	17	19	29	30	32
	37	43	44	61	62	63	65	79	80
	81	82	84	86	87	88	GA(GREEN)	PA	PB
	81	82	84	86	87	88	GA(GREEN)	PA	PB

Type	0A	0B	0C	0D	0E	0F	0G
5 PIN							
	0L	01	02	03	04	05	06
	07	08	09	11	12	13	14

