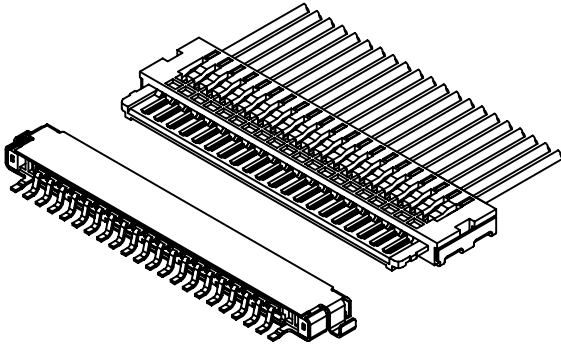
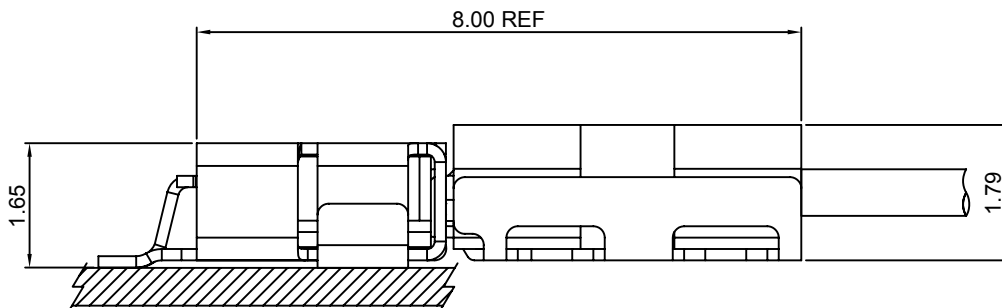


## Specifications

- Current rating:1A AC,DC  
Voltage rating:200V AC,DC  
Temperature range:-40°C~+105°C  
Contact resistance:40mΩMax.  
Insulation resistance:100MΩMin.  
Withstanding voltage:500V AC/minute  
\*Compliant with RoHS and REACH\*  
\*Meet the HF/Halogen Free,need to customize\*  
\*Contact CJT for details\*



## Assembly layout

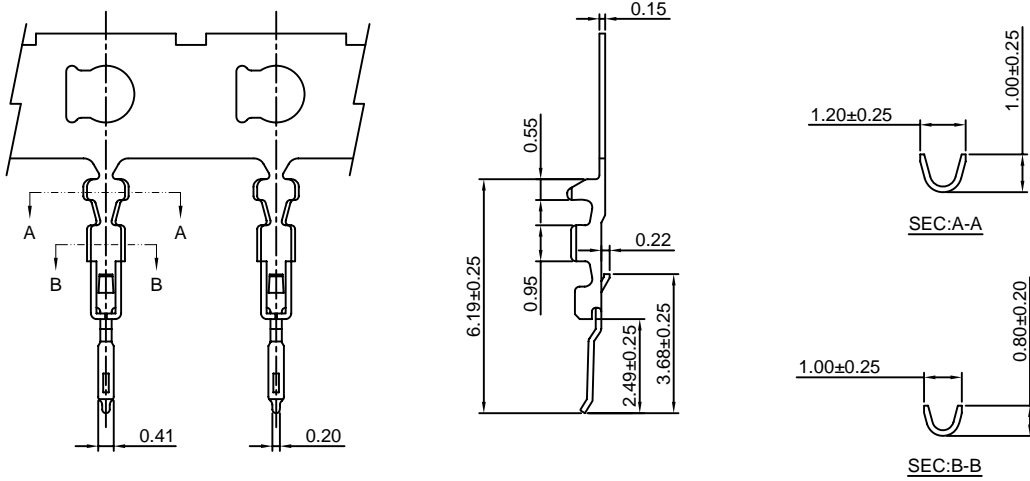


### A1001-T

1.00mm pitch Crimp Terminal

**Reference Informations:**

\*Used in CJT A1001H-XP series Housing



Ordering information & Specifications:

Unit:mm

Part NO	Wire Range	Insulation O.D.	Material	Finish	Qty/reel
A1001-GP	AWG#28-#36	0.50mm(max)	Phosphor Bronze	Gold over Nickel	15,000 PCS

Optional Gold plating available but MOQ requested

### A1001H-XP

1.00mm pitch Housing

**Reference Informations:**

\*Material: Insulator:Nylon 46,UL94V-0

Shell:Phosphor Bronze/Tin over Nickel

\*Suitable CJT A1001-T series Terminal

\*Mates with CJT A1001WR-S-XP, A1001WRA-S-30P series Wafer

\*Color:Ivory

Ordering Information:

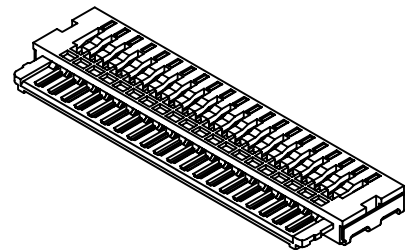
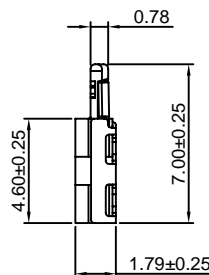
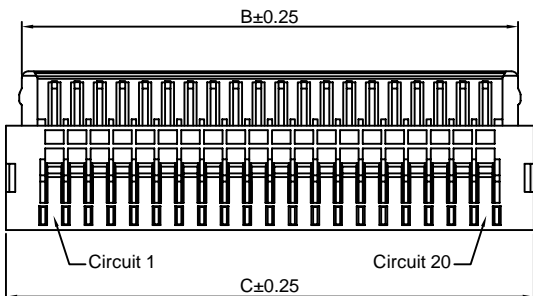
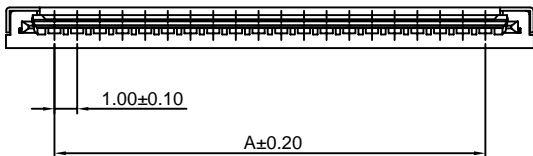
A1001H-XP - \*\*\*  
1 2

1.Part No.

2.Material:

(Blank):Nylon 46,UL94V-0

GWT:Nylon 46,UL94V-0,GWT 750 °C



Ordering Information & Dimensions:

PART NO.	Dimensions		
	A	B	C
20P	19.00	21.88	23.28
30P	29.00	31.88	33.28

Unit: mm

# A1001WR-S-XP

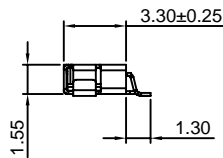
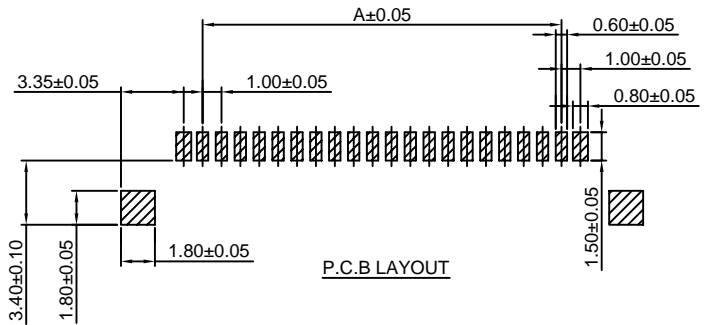
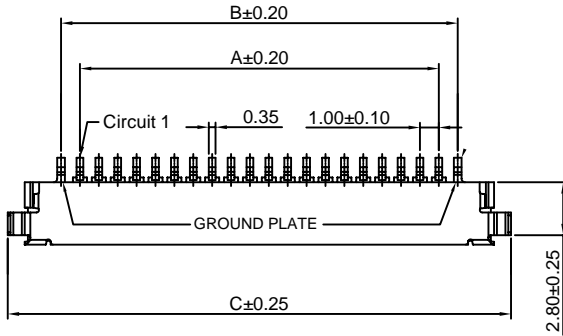
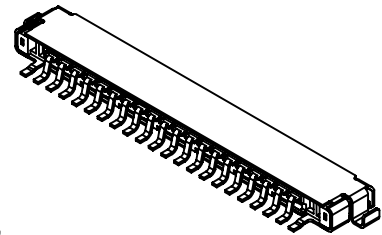
1.00mm pitch 90° Wafer-SMT TYPE

#### Reference Informations:

- \*Material: Pin: Phosphor Bronze/Tin over Nickel on solder area  
Gold over Nickel on contact area
- Shell: Phosphor Bronze/Tin over Nickel
- Insulator: Nylon 6T, UL94V-0
- \*Mates with CJT A1001H-XP series Housing
- \*Color: Ivory

#### Ordering Information:

- A1001WR-S-XP - \*\*\*
- |   |   |
|---|---|
| 1 | 2 |
|---|---|
- 1. Part No.
  - 2. Material:
  - (Blank): Nylon 6T, UL94V-0
  - GWT: Nylon 6T, UL94V-0, GWT 750°C



#### Ordering Information & Dimensions:

PART NO.	Dimensions		
	A	B	C
20P	19.00	21.88	26.65
30P	29.00	31.88	36.65

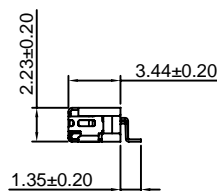
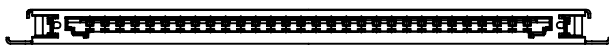
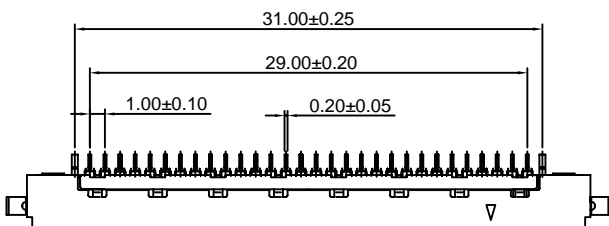
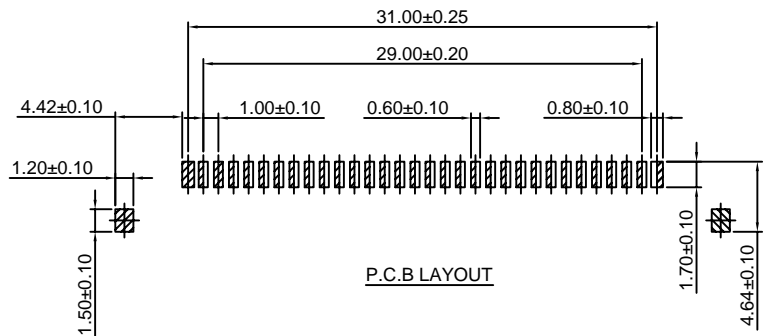
Unit: mm

# A1001WRA-S-30P

1.00mm pitch 90° Wafer-SMT TYPE

#### Reference Informations:

- \*Material: Pin: Phosphor Bronze/Nickel-plated
- Shell: Phosphor Bronze/Tin over Nickel
- Insulator: LCP, UL94V-0
- \*Mates with CJT A1001H-XP series Housing
- \*Color: Black



Unit: mm