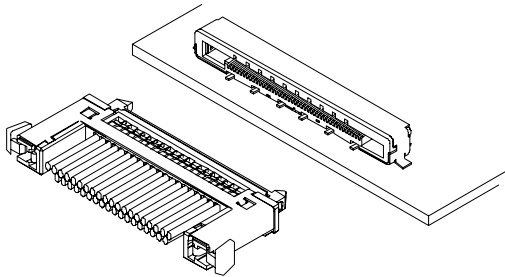
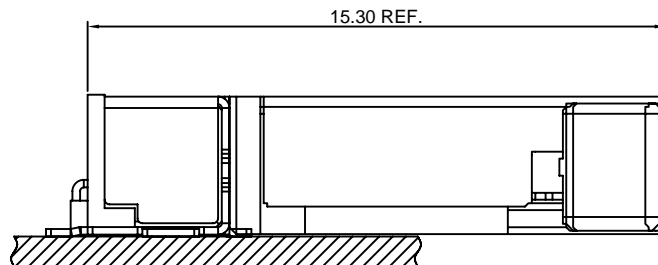


Specifications

- Current rating:0.8A AC,DC
Voltage rating:200V AC,DC
Temperature range:-40°C~+105°C
Contact resistance:50mΩMax.
Insulation resistance:100MΩMin.
Withstanding voltage:500V AC/minute
Compliant with RoHS and REACH
Meet the HF/Halogen Free,need to customize
Contact CJT for details



Assembly layout

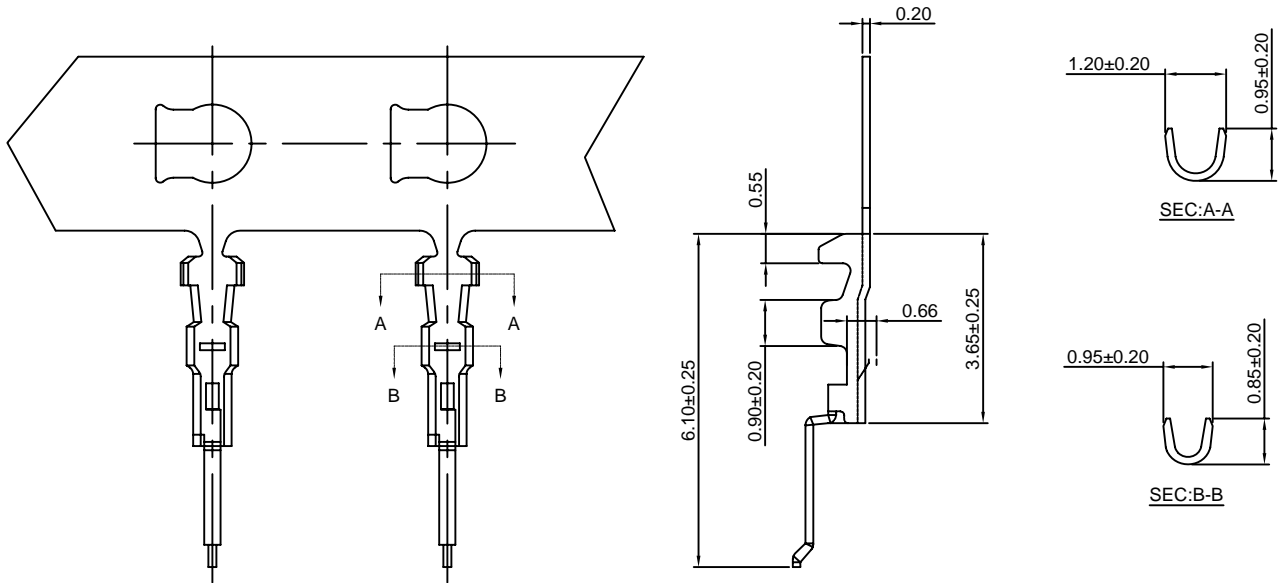


A0501A-T

0.50mm pitch Crimp Terminal

Reference Informations:

*Used in CJT A0501H-XP series Housing



Ordering information & Specifications:

Unit:mm

Part NO.	Wire Range	Insulation O.D.	Material	Finish	Qty/reel
A0501A-GP	AWG#30-#32	0.50mm(max)	Phosphor Bronze	Gold over Nickel	15,000 PCS

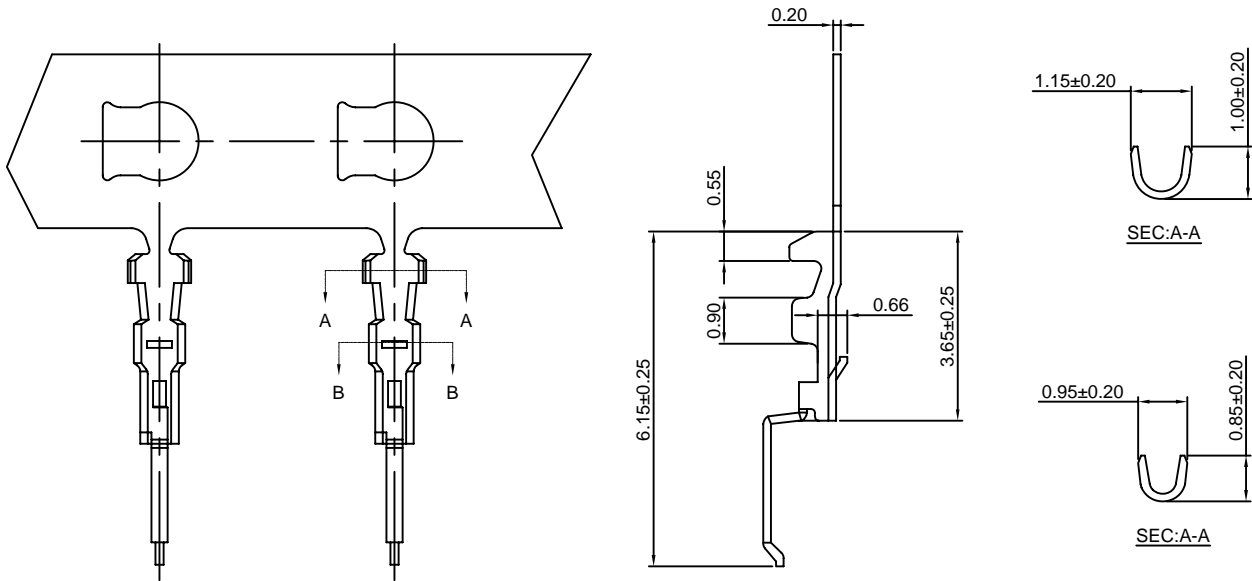
Optional Gold plating available but MOQ requested

A0501B-T

0.50mm pitch Crimp Terminal

Reference Informations:

*Used in CJT A0501H-XP series Housing



Ordering information & Specifications:

Unit:mm

Part NO.	Wire Range	Insulation O.D.	Material	Finish	Qty/reel
A0501B-GP	AWG#30-#32	0.50mm(max)	Phosphor Bronze	Gold over Nickel	15,000 PCS

Optional Gold plating available but MOQ requested

A0501H-XP

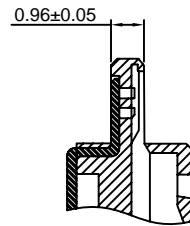
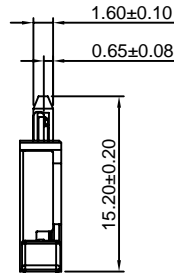
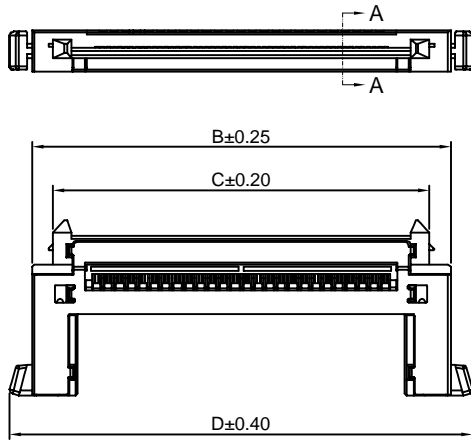
0.50mm pitch Housing

Reference Informations:

- *Material: Insulator:Nylon 46,UL94V-0
Shell:Brass/Tin over Nickel
- *Suitable CJT A0501A-T,A0501B-T series Terminal
- *Mates with CJT A0501WR-S-XP series Wafer
- *Color:Black

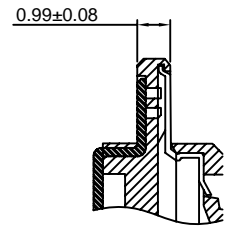
Ordering Information:

- A0501H-XP - ***
1 2
- 1.Part No.
2.Material:
(Blank):Nylon 46,UL94V-0
GWT :Nylon 46,UL94V-0,GWT 750°C



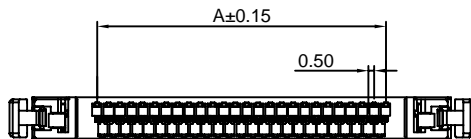
SECTION A-A
SCALE 2:1

Without Terminal



SECTION A-A
SCALE 2:1

With Terminal



Ordering Information & Dimensions:

PART NO.	Dimensions			
	A	B	C	D
41P	20.00	31.50	27.60	36.00
51P	25.00	36.50	32.60	41.00

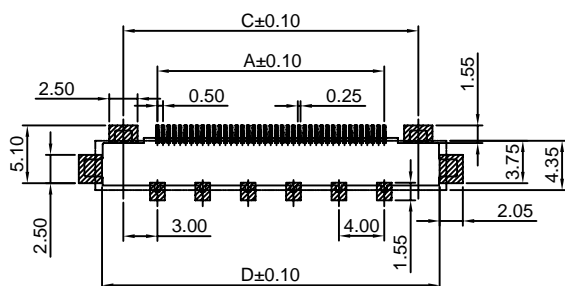
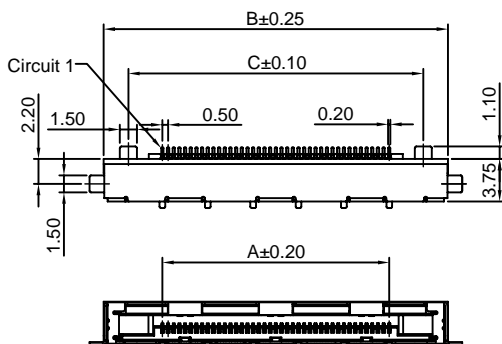
Unit: mm

A0501WR-S-XP

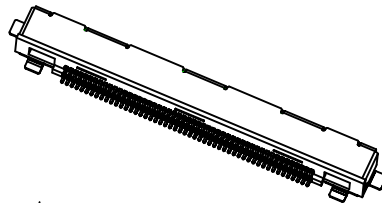
0.50mm pitch 90° Wafer - SMT TYPE

Reference Informations:

- *Material: Pin:Phosphor Bronze/Gold over Nickel
Insulator:Nylon 46,UL94V-0
- *Mates with CJT A0501H-XP series Housing
- *Color:Black



P.C.B LAYOUT



Ordering Information:

- A0501WR-S-XP - ***
1 2
- 1.Part No.
2.Material:
(Blank):Nylon 46,UL94V-0
GWT :Nylon 46,UL94V-0,GWT 750°C

Ordering Information & Dimensions:

PART NO.	Dimensions			
	A	B	C	D
41P	20.00	30.35	26.00	29.75
51P	25.00	35.35	31.00	34.75

Unit: mm